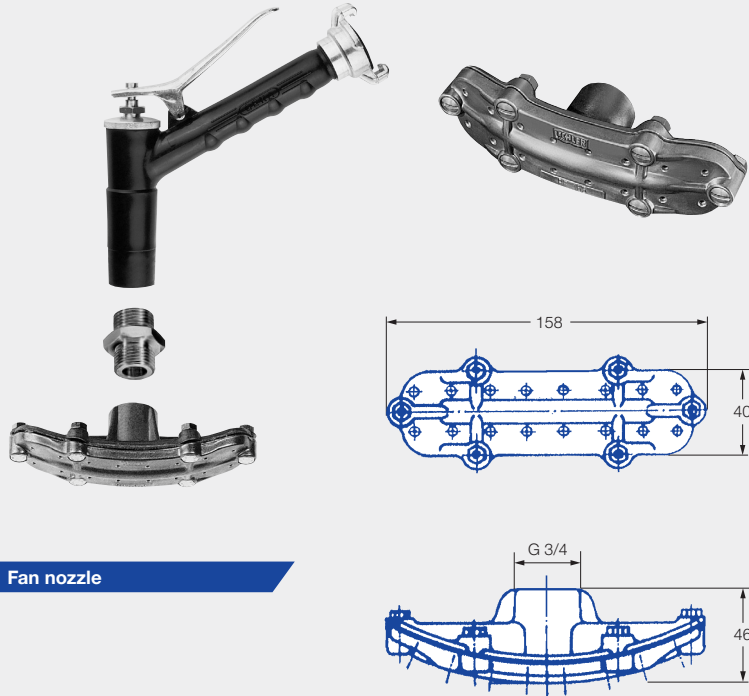


# ➤ Fan nozzles

- Special nozzle for gentle delivery of large liquid quantities

## Advantages

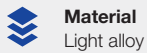
- Fine, gentle atomization
- Gentle plant irrigation
- Effective disinfection of livestock buildings. Please observe the safety instructions of the product manufacturer
- Optionally available with spray gun and GEKA connection coupling



Dimensions in mm.

Fan nozzle

## Technical data:



**Material**  
Light alloy



**Pressure ranges**  
2–10 bar

Order no.	
Spray gun with GEKA connection coupling	Double nipple G 3/4
<b>095.016.00.01.76</b>	<b>065.611.30.00.00</b>

Order no.	Flow rate [l/min]		
	2.0 bar	5.0 bar	10.0 bar
Nozzle without stay tube Connection G 3/4			
<b>531.003.41.00.00</b>	31.5	49.8	70.4
<b>531.093.41.00.00</b>	53.0	83.8	119.0
<b>531.133.41.00.00</b>	67.0	106.0	150.0

