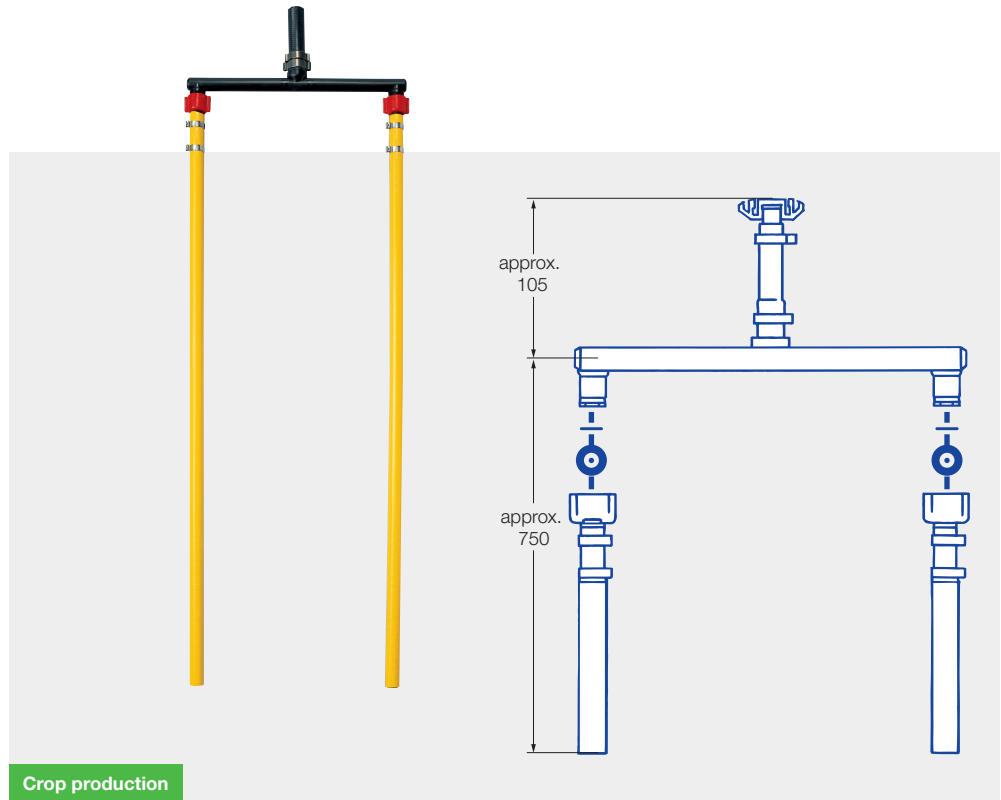


# Hose drop system for boom sprayers


Hose drop system for late liquid fertilizer application.

## Advantages

- No risk of scorching of upper plant parts
- Greater independence from the influence of the weather
- Partial area-specific fertilization with N-sensor
- N-fertilization according to CULTAN method by line deposition on the soil
- Thin tube hoses slide easily through the crop



Clearance

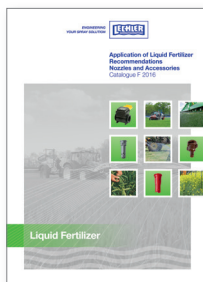
 **Tube spacing**  
0.25 m

 **Pressure range**  
1 – 10 bar

**Application area**  
Liquid fertilizer



More detailed information is available in Lechler brochure for application of liquid fertilizer as well as [www.lechler-agri.com](http://www.lechler-agri.com)



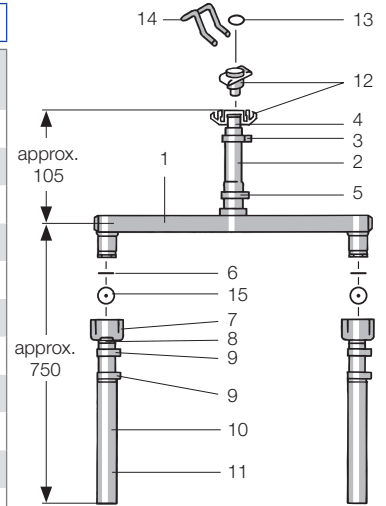
Ø mm	I/min	UAN I/ha												
		Water	UAN	5.0 km/h	6.0 km/h	7.0 km/h	8.0 km/h	9.0 km/h	10.0 km/h	11.0 km/h	12.0 km/h	14.0 km/h	16.0 km/h	18.0 km/h
0.8/32	1.0	0.31	0.27	130	108	93	81	72	65	59	54	46	41	36
	2.0	0.43	0.38	182	152	130	114	101	91	83	76	65	57	51
	3.0	0.53	0.47	226	188	161	141	125	113	103	94	81	71	63
	4.0	0.62	0.55	264	220	189	165	147	132	120	110	94	83	73
	5.0	0.69	0.61	293	244	209	183	163	146	133	122	105	92	81
	6.0	0.76	0.67	322	268	230	201	179	161	146	134	115	101	89
	7.0	0.82	0.72	346	288	247	216	192	173	157	144	123	108	96
	8.0	0.87	0.77	370	308	264	231	205	185	168	154	132	116	103
	10.0	0.96	0.85	408	340	291	255	227	204	185	170	146	128	113
	1.0/39	1.0	0.46	0.41	197	164	141	123	109	98	89	82	70	62
2.0		0.65	0.57	274	228	195	171	152	137	124	114	98	86	76
3.0		0.80	0.70	336	280	240	210	187	168	153	140	120	105	93
4.0		0.92	0.81	389	324	278	243	216	194	177	162	139	122	108
5.0		1.03	0.91	437	364	312	273	243	218	199	182	156	137	121
6.0		1.13	1.00	480	400	343	300	267	240	218	200	171	150	133
7.0		1.22	1.07	514	428	367	321	285	257	233	214	183	161	143
8.0		1.30	1.15	552	460	394	345	307	276	251	230	197	173	153
10.0		1.45	1.27	610	508	435	381	339	305	277	254	218	191	169
1.2/48		2.0	0.95	0.84	403	336	288	252	224	202	183	168	144	126
	4.0	1.34	1.18	566	472	405	354	315	283	257	236	202	177	157
	6.0	1.65	1.45	696	580	497	435	387	348	316	290	249	218	193
	8.0	1.90	1.67	802	668	573	501	445	401	364	334	286	251	223
1.5/59	2.0	1.38	1.22	586	488	418	366	325	293	266	244	209	183	163
	4.0	1.95	1.72	826	688	590	516	459	413	375	344	295	258	229
	6.0	2.39	2.10	1008	840	720	630	560	504	458	420	360	315	280
	8.0	2.76	2.43	1166	972	833	729	648	583	530	486	417	365	324
1.8/72	2.0	1.96	1.73	830	692	593	519	461	415	377	346	297	260	231
	4.0	2.77	2.44	1171	976	837	732	651	586	532	488	418	366	325
	6.0	3.39	2.98	1430	1192	1022	894	795	715	650	596	511	447	397
	8.0	3.92	3.45	1656	1380	1183	1035	920	828	753	690	591	518	460

\* Additional spray table on request

- Prior to each spraying season verify the table data by gauging the flow rates
- Make sure that in all hoses the same dosing orifice are fitted
- Lateral hose spacing 0.25 m
- Spray pressure at dosing orifice (gauged with a diaphragm valve)
- The stated liter-per-hectare rates apply to UAN (28/1.29 kg/l)



Item	Qty.	Description	Order. no.
<b>1 – 11</b>	1	<b>Hose drop system complete</b> (excl. dosing orifices and bayonet cap)	092.160.00.00
<b>1</b>	1	Tee	095.016.56.09.41
<b>2</b>	2	Fabric hose, L = 80 mm	-
<b>3</b>	1	2-eye clamp	095.016.1C.09.44
<b>4</b>	1	Hose shank	095.016.56.07.49
<b>5</b>	1	2-eye clamp	095.009.1C.13.67
<b>6</b>	2	Gasket Ø 11 x Ø 18 x 2.0	095.015.73.06.92
<b>7</b>	2	Threaded cap M 20 x 1.5	095.016.56.09.42
<b>8</b>	2	Hose shank with vent bore	095.009.56.10.44
<b>9</b>	4	Hose clamp	095.009.1C.10.45
<b>10</b>	2	Pipe, L = 686 mm	095.009.50.13.47
<b>11</b>	2	Fabric hose, L = 713 mm	-
<b>12</b>		<b>Bayonet cap</b>	
<b>12</b>	1	- System Twistloc, (cf. page 109) (incl. gasket 065.242.73.00)	065.202.56.11.00
<b>12</b>	1	- System: MULTIJET etc (cf. page 107)	A.402.904.10
<b>13</b>	1	(incl. 3.0 gasket A.402.200.04.00)	
<b>13</b>	1	optional 4.0 mm gasket**	095.015.6C.02.85.0
<b>12</b>	1	- System RAU	095.016.56.05.93.0
<b>13</b>	1	Gasket	095.015.73.04.61.0
<b>14</b>	1	Safety stirrup	095.016.16.05.94.0
<b>15</b>	2	<b>Dosing orifices</b>	
		D = 0.8 mm/32; OD = 17.4 mm	050.033.1C.00.00***
		D = 1.0 mm/39; OD = 17.4 mm	050.033.1C.01.00***
		D = 1.2 mm/48; OD = 14.8 mm	050.030.1C.03.00
		D = 1.5 mm/59; OD = 14.8 mm	050.030.1C.02.00
		D = 1.8 mm/72; OD = 14.8 mm	050.030.1C.04.00



\*\* for tight fit of bayonet cap

\*\*\* outer diameter 17.4 mm; adapted to Pos. 7

#### Assembly instruction

Inscription on dosing orifice must face upwards when inserted in the bayonet cap!

