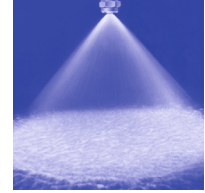




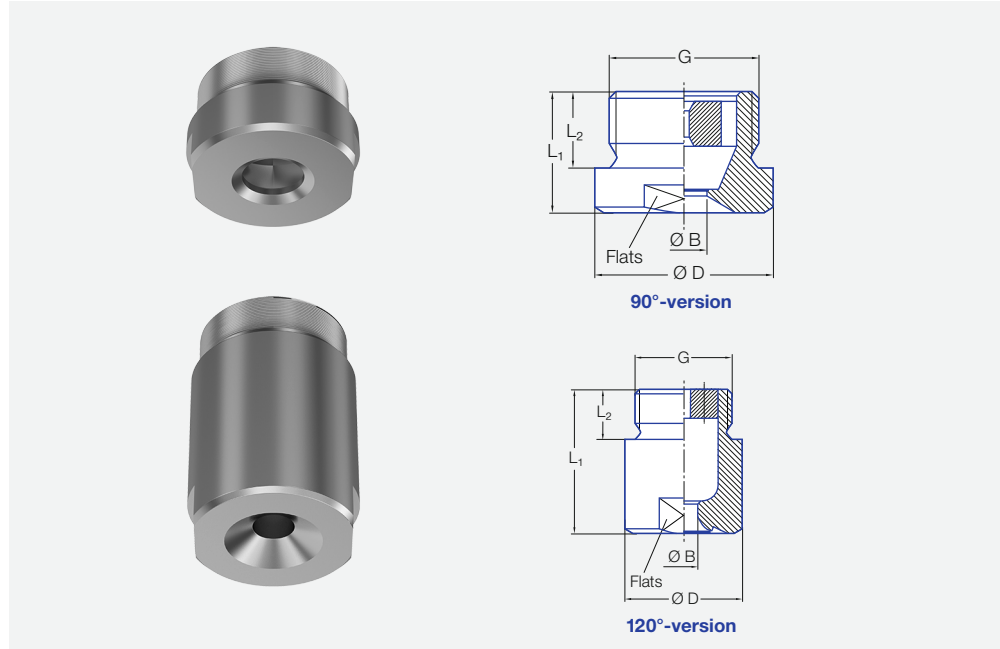
Axial-flow full cone nozzles Series 403



Very uniform spray pattern.

Applications:

Cooling of gaseous fluids and solids, spraying over packings, scrubbing and washing processes in exhaust gas cleaning installations (SOx reduction).





90°-version

Type	Dimensions [mm]				
	BSPP	L ₁	L ₂	D	Flats
403.446/403.486	2 1/2	52	27	83	75
403.526	3	60	30	98	85
403.606	3 1/2	70	32	118	105

120°-version

Type	Dimensions [mm]				
	BSPP	L ₁	L ₂	D	Flats
403.448/403.488	2 1/2	124	27	83	75
403.528	3	153	30	98	85
403.608	3 1/2	156	32	118	105
403.628	4	165	36	128	110

Spray angle 	Ordering no. Type	B Ø [mm]	E Ø [mm]	\dot{V} [l/min]							Spray diameter D at p = 2 bar 	
				p [bar]							H = 500 mm	H = 1,000 mm
				0.3	0.5	1.0	2.0	3.0	5.0	7.0		
90°	403.446	25.00	12.00	187	230	303	400	470	577	660	900	1,700
	403.486	29.50	12.00	234	287	379	500	588	721	825	900	1,700
	403.526	32.00	13.80	295	362	477	630	741	909	1,040	900	1,700
	403.606	40.00	15.00	468	574	758	1,000	1,176	1,443	1,651	980	1,750
120°	403.448	25.50	10.00	187	230	303	400	470	577	660	1,500	2,850
	403.488	29.50	11.00	234	287	379	500	588	721	825	1,500	2,850
	403.528	32.00	15.00	295	362	477	630	741	909	1,040	1,500	2,850
	403.608	42.00	12.00	469	574	758	1,000	1,176	1,443	1,651	1,500	2,850
	403.628	45.00	15.00	585	718	947	1,250	1,470	1,903	2,063	1,600	2,900

B = bore diameter · E = narrowest free cross section

Materials on request



Conversion formula for the above series: $\dot{V}_2 = \dot{V}_1 * \left(\frac{p_2}{p_1}\right)^{0.4}$
(≤ 10 bar)