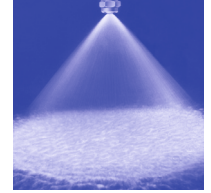




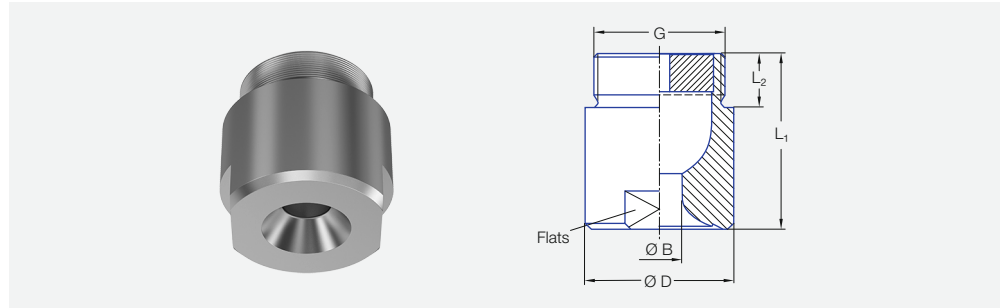
# Axial-flow full cone nozzles Series 405





**Very uniform spray pattern.**

**Applications:**

Surface spraying, spraying over packings, cleaning and washing process, chemical process engineering, cooling of gaseous fluids and solids, water treatment.



Dimensions [mm]				
G	L <sub>1</sub>	L <sub>2</sub>	D	Flats
1 1/4 BSPP	50	19	49	41
1 1/2 BSPP	60	19	59	50
2 BSPP	78	24	68	60

Spray angle 	Ordering no.				B Ø [mm]	E Ø [mm]	V̇ [l/min]						Spray diameter D at p = 2 bar 	
	Type	Code					p [bar]						H = 500 mm	H = 1,000 mm
		1 1/4 BSPP	1 1/2 BSPP	2 BSPP			0.3	0.5	1.0	2.0	3.0	5.0		
60°	405.204	AP	-	-	11.20	5.80	47	57	76	100	118	144	560	1,040
	405.284	-	AR	-	14.30	7.00	75	92	121	160	188	231	580	1,080
	405.324	-	-	AV	16.40	7.50	94	115	152	200	235	289	580	1,080
	405.364	-	-	AV	18.40	8.50	117	144	189	250	294	361	580	1,080
	405.404	-	-	AV	20.00	7.00	147	181	239	315	370	454	580	1,100
90°	405.206	AP	-	-	12.00	5.00	47	57	76	100	118	144	780	1,450
	405.286	-	AR	-	15.20	6.20	75	92	121	160	188	231	800	1,550
	405.326	-	-	AV	17.20	7.70	94	115	152	200	235	289	850	1,600
	405.366	-	-	AV	19.50	8.70	117	144	189	250	294	361	850	1,600
	405.406	-	-	AV	22.00	9.50	147	181	239	315	370	454	850	1,600
120°	405.208	AP	-	-	12.70	5.00	47	57	76	100	118	144	1,450	2,600
	405.288	-	AR	-	16.00	6.60	75	92	121	160	188	231	1,500	2,700
	405.328	-	-	AV	17.80	7.90	94	115	152	200	235	289	1,500	2,800
	405.368	-	-	AV	20.10	8.80	117	144	189	250	294	361	1,500	2,800
	405.408	-	-	AV	22.40	9.10	147	181	239	315	370	454	1,500	2,800

B = bore diameter · E = narrowest free cross section

**Materials and higher flow rates on request**

Conversion formula for the above series:  $\dot{V}_2 = \dot{V}_1 * \left(\frac{p_2}{p_1}\right)^{0.4}$   
(≤ 10 bar)

