



Eccentric hollow cone nozzles

Series 302/304

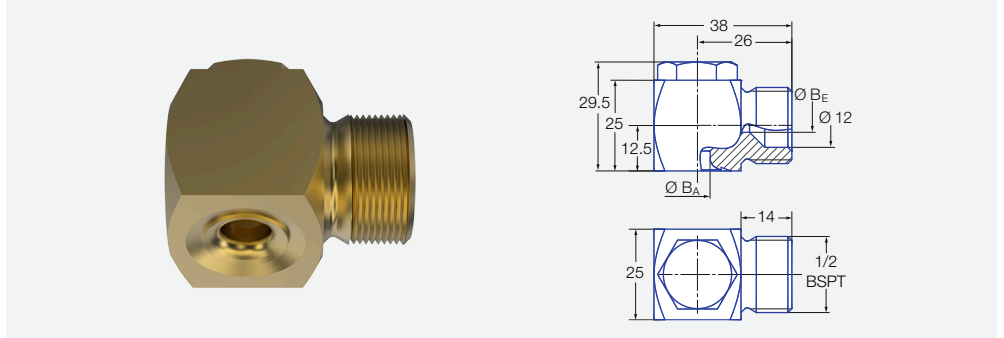
Protection against fire or radiation heat


- Uniform hollow cone atomization
- Clogging-resistant nozzle without swirl inserts

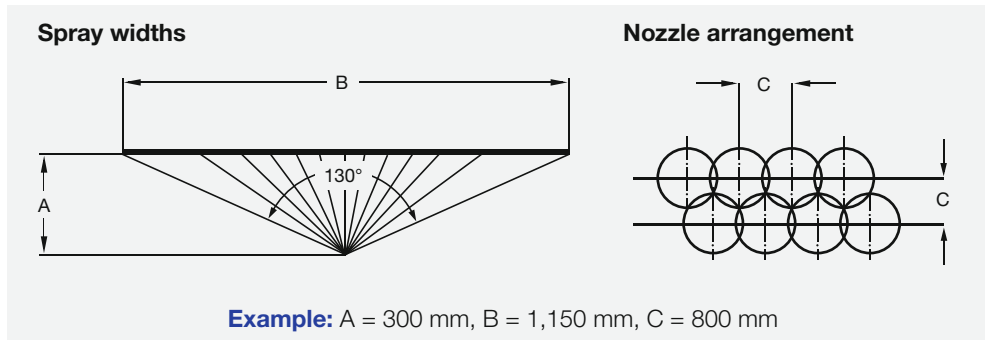
Applications:

Sprinkling ammunition rooms on defense ships, fire protection/protection, protection against radiation heat.

NATO/BW number available on request.



Spray angle 	Ordering no.						B _A Ø [mm]	B _E Ø [mm]	V	
	Type	Material no.			Code				p [bar] l/min	p [bar] m³/h
		2.0402	2.0966	2.0920	1/2 BSPT	3/8 BSPT				
130°	302.628	30	3E	33	-	02	5.0	3.2	7.0	0.40
	304.688	30	3E	33	02	-	6.0	3.7	10.0	0.60
	304.758	30	3E	33	02	-	7.5	4.3	15.0	0.90



Spray diameter B [mm]	Spray height [mm]
450	100
850	200
1,150	300
1,450	400

The construction specifications require the following impact density of the German Armed Forces for naval ships for wall and ceiling surfaces: 1 m³/h (15 l/min) per m².

Ordering	Type	+	Material no.	+	Code	=	Ordering no.
example:	302.628	+	30	+	02	=	302.628.30.02