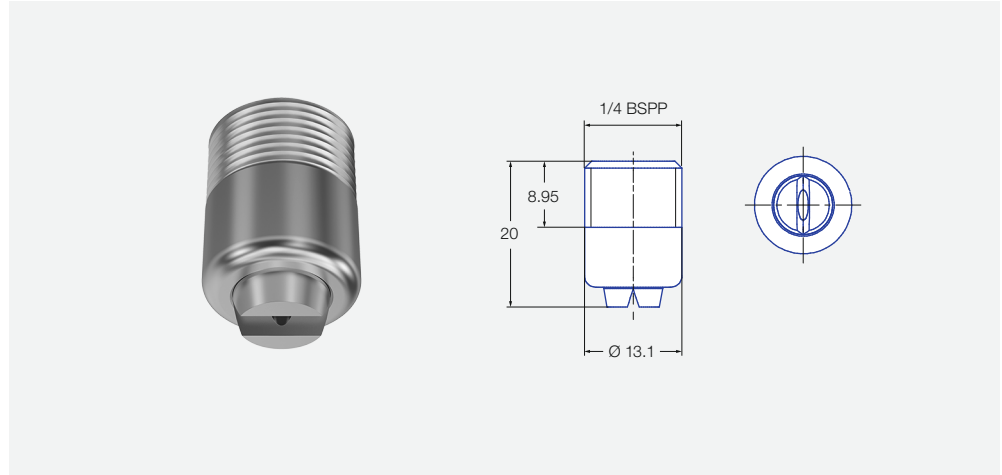



Polished flat fan nozzles Series 600.577

These compact flat fan nozzles are ideal for a concealed installation. There are no rough surfaces or edges in order to guarantee an optimum aesthetic design.

Applications:

Window cleaning, preferably in yacht construction.



Spray angle 	Ordering no.	Mat. No.	\dot{V} [l/min]	Length [mm]	Diameter [mm]	Thread BSPP
	Type	17	p [bar]			
		316Ti SS	2 bar			
45°	600.577.17.11	○	4.00	20.00	12.2	G 1/4 A
120°	600.577.17.10	○	4.00	20.00	13.1	G 1/4 A
140°	600.577.17.00	○	4.75	20.00	12.2	G 1/4 A

All flow rates in accordance with page 48 possible on request

Other materials on request