

Tongue-type nozzle Series 684.568

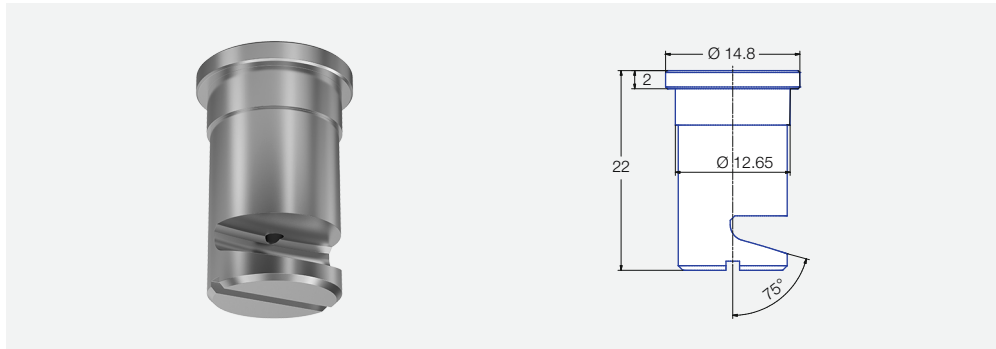
- Wide flat jet with a short powerful spray pattern
- Clog-resistant



Application:

Cleaning NBC contamination on superstructures.

These nozzles are also part of the CamouSpray system.

NATO/BW number available on request.



Spray angle 	Ordering no.		E Ø [mm]	v										Spray width B at p = 2 bar  250 mm
	Type	Material no. 316Ti SS		p [bar] l/min					p [bar] m³/h					
				5	6	7	8	9	5	6	7	8	9	
140°	684.568	17	1.70	3.95	4.33	4.68	5.00	5.30	0.24	0.26	0.28	0.30	0.32	1,370