

Axial-flow full cone nozzles

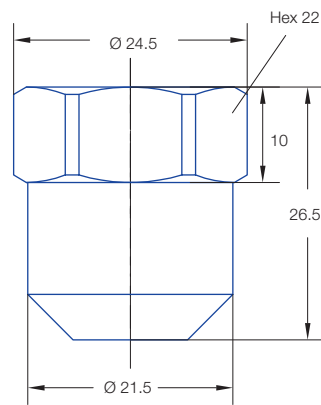
Series 486


Series 486

The classical full cone nozzles with R 3/8" female thread connection. Circular uniform full cone spray pattern.

Applications:

Very common in „Concast“ billet casters.



Spray angle 	Ordering no.				Code	Flow rate (l/min) pressure (bar)					
	Type	Mat. no.		Thread R 3/8" female		1	2	2.8	5	7	10
		30 Brass	1C 304 SS								
45°	486.443	○	○	AF	1545L	0.9	1.3	1.5	1.9	2.3	2.7
	486.493	○	○	AF	2045L	1.3	1.7	2.0	2.6	3.0	3.5
	486.533	○	○	AF	2545L	1.6	2.1	2.5	3.2	3.8	4.4
	486.563	○	○	AF	3045L	1.9	2.6	3.0	3.9	4.5	5.3
	486.593	○	○	AF	3545L	2.2	3.0	3.5	4.5	5.3	6.2
	486.613	○	○	AF	4045L	2.5	3.4	4.0	5.2	6.0	7.1
	486.633	○	○	AF	4545L	2.8	3.9	4.5	5.8	6.8	8.0
	486.653	○	○	AF	5045L	3.1	4.3	5.0	6.5	7.6	8.9
	486.663	○	○	AF	5545L	3.5	4.7	5.5	7.1	8.3	9.8
	486.683	○	○	AF	6045L	3.8	5.2	6.0	7.8	9.1	10.6
	486.713	○	○	AF	7045L	4.4	6.0	7.0	9.1	10.6	12.4
	486.733	○	○	AF	8045L	5.0	6.9	8.0	10.4	12.1	14.2
	486.783	○	○	AF	10045L	6.3	8.6	10.0	13.0	15.1	17.7
486.813	○	○	AF	12045L	7.6	10.3	12.0	15.6	18.1	21.3	
65°	486.394	○	○	AF	1065L	0.6	0.9	1.0	1.3	1.5	1.8
	486.444	○	○	AF	1565L	0.9	1.3	1.5	1.9	2.3	2.7
	486.494	○	○	AF	2065L	1.3	1.7	2.0	2.6	3.0	3.5
	486.534	○	○	AF	2565L	1.6	2.1	2.5	3.2	3.8	4.4
	486.564	○	○	AF	3065L	1.9	2.6	3.0	3.9	4.5	5.3
	486.594	○	○	AF	3565L	2.2	3.0	3.5	4.5	5.3	6.2
	486.604	○	○	AF	3865L	2.4	3.3	3.8	4.9	5.7	6.7
	486.614	○	○	AF	4065L	2.5	3.4	4.0	5.2	6.0	7.1
	486.624	○	○	AF	4265L	2.6	3.6	4.2	5.5	6.3	7.4
	486.634	○	○	AF	4565L	2.8	3.9	4.5	5.8	6.8	8.0
	486.654	○	○	AF	5065L	3.1	4.3	5.0	6.5	7.6	8.9
	486.664	○	○	AF	5565L	3.5	4.7	5.5	7.1	8.3	9.8
	486.684	○	○	AF	6065L	3.8	5.2	6.0	7.8	9.1	10.6
	486.704	○	○	AF	6565L	4.1	5.6	6.5	8.4	9.8	11.5
	486.714	○	○	AF	7065L	4.4	6.0	7.0	9.1	10.6	12.4
	486.724	○	○	AF	7565L	4.7	6.4	7.5	9.7	11.3	13.3
	486.734	○	○	AF	8065L	5.0	6.9	8.0	10.4	12.1	14.2
	486.744	○	○	AF	8565L	5.3	7.3	8.5	11.0	12.8	15.1
	486.764	○	○	AF	9565L	6.0	8.2	9.5	12.3	14.3	16.8
	486.784	○	○	AF	10065L	6.3	8.6	10.0	13.0	15.1	17.7
486.814	○	○	AF	12065L	7.6	10.3	12.0	15.6	18.1	21.3	
486.844	○	○	AF	14665L	9.2	12.5	14.6	19.0	22.1	25.9	
486.854	○	○	AF	15065L	9.4	12.9	15.0	19.5	22.7	26.6	
486.864	○	○	AF	16565L	10.4	14.2	16.5	21.4	24.9	29.3	

Other nozzle types on request.
Pressure-flow diagrams on request.

Example	Type	+	Material no.	=	Ordering no.
of ordering:	486.443	+	30	=	486.443.30.AF

Conversion formula for the above series: $\dot{V}_2 = \dot{V}_1 * \left(\frac{p_2}{p_1}\right)^{0.45}$
(≤ 10 bar)

