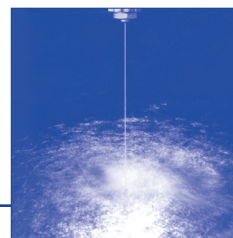




Eductor nozzles

Series 500.262 / 500.428

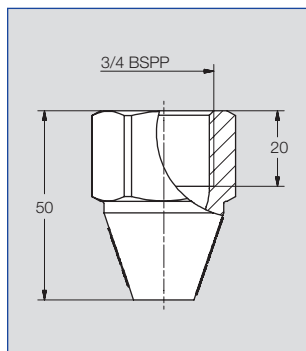
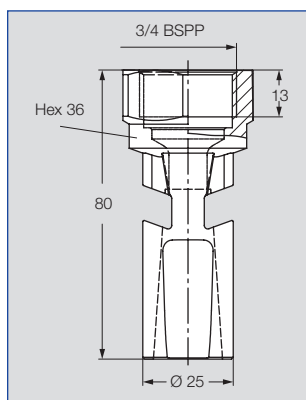
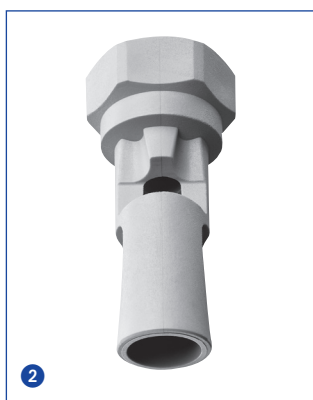
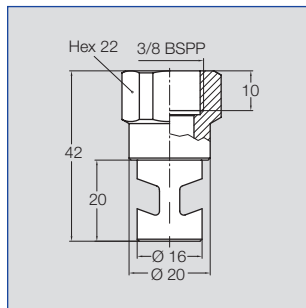


No risk of blockage thanks to the large cross sections from 2.0 to 10.0 bar.

Application:
Tank mixing, liquid circulation,
preventing sedimentation

Material:

- 1 Polypropylene
- 2 + 3 Polypropylene
Fibreglass reinforced



	Ordering no.	B Ø [mm]	\dot{V} [l/min]				
			p [bar]				
			2	4	6	8	10.0
1	500.262.53.02	2.2	4.4	6.3	7.7	8.9	9.9
	500.262.53.04	3.6	11.1	15.7	19.2	22.1	27.7
	500.262.53.06	4.5	18.3	26.0	31.8	36.7	41.0
	500.262.53.08	6.0	31.6	44.7	54.8	63.2	70.7
2	500.262.53.20	10.6	96.1	136.0	166.5	192.3	215.0
3	500.428.53.00	9.7	86.6	122.5	150.1	173.3	193.7

Other sizes on request.

