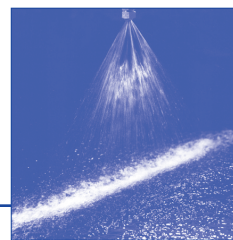




# Flat fan nozzles

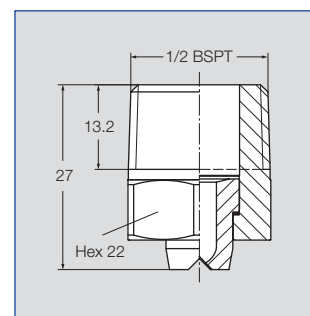
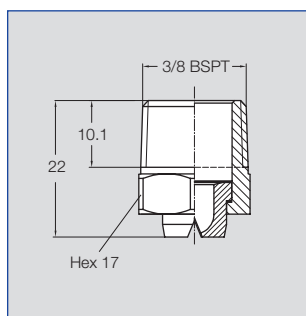
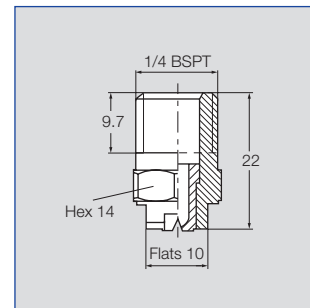
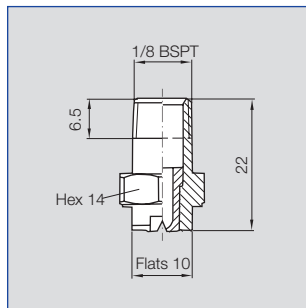
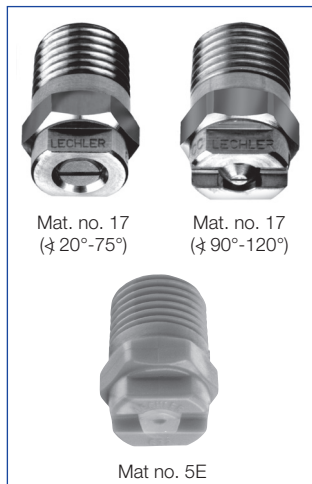
## Series 632 / 633



Standard design with high-precision spray angle, exact flow rate, and extremely narrow spray depth, achieved through close manufacturing tolerances. Parabolic distribution of liquid ensures that spray pipes equipped with these nozzles show an extremely uniform total liquid distribution. Conical, self-sealing thread connection. The design of spray headers is very easy due to the thread connection of the nozzles. The entire product range is available at short notice, due to the modular design.

Applications:

Cleaning, pickling, coating, surface treatment, rinsing.



Spray angle	Type	Ordering no.						A Ø [mm]	E Ø [mm]	V̇ [l/min]							Spray width B	
		Mat. no.		Code						p [bar]							at p=2 bar	
		17 <sup>1</sup>	5E							0.5	1.0	2.0	3.0	5.0	7.0	10.0	H = 200 mm	H = 500 mm
20°	632.441	○	○	CA	CC	-	-	1.35	1.10	0.62*	0.88	1.25	1.53	1.98	2.34	2.80	75	145
	632.481	○	○	CA	CC	-	-	1.50	1.20	0.80*	1.13	1.60	1.96	2.53	2.99	3.58	75	150
30°	632.482	○	○	CA	CC	-	-	1.50	1.10	0.80*	1.13	1.60	1.96	2.53	2.99	3.58	120	235
	632.562	○	○	CA	CC	-	-	2.00	1.50	1.25	1.77	2.50	3.06	3.95	4.68	5.59	120	235
	632.642	○	-	-	CC	-	-	2.50	1.80	2.00	2.83	4.00	4.90	6.33	7.48	8.94	120	240
	632.722	○	-	-	CC	-	-	3.00	2.40	3.15	4.46	6.30	7.72	9.96	11.79	14.09	125	240
	632.762	○	-	-	CC	-	-	3.50	2.70	4.00	5.66	8.00	9.80	12.65	14.97	17.89	125	240
	632.802	○	-	-	CC	-	-	4.00	3.10	5.00	7.07	10.00	12.25	15.81	18.71	22.36	130	250

<sup>1</sup>We reserve the right to deliver AISI 316Ti or AISI 316L under the material no. 17.  
 A = equivalent bore diameter · E = Narrowest free cross section  
 \* differing spray pattern  
 Subject to technical modifications.

Continued on next page.

**Example** Type + Material no. + Code = Ordering no.  
 of ordering: 632.441 + 17 + CC = 632.441.17.CC



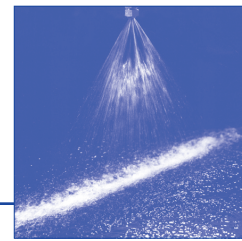
Conversion formula for the above series:  $\dot{V}_2 = \dot{V}_1 \cdot \sqrt{\frac{p_2}{p_1}}$






# Flat fan nozzles

## Series 632 / 633



Spray angle 	Ordering no.							A Ø [mm]	E Ø [mm]	V̇ [l/min]							Spray width B	
	Type	Mat. no.		Code						p [bar]							at p=2 bar	
		17 <sup>1</sup>	5E	1/8 BSPT	1/4 BSPT	3/8 BSPT	1/2 BSPT			0.5	1.0	2.0	3.0	5.0	7.0	10.0	H = 200 mm	H = 500 mm
		AISI 316Ti/ AISI 316L	PVDF															
120°	<b>632.607</b>	○	-	<b>CA</b>	<b>CC</b>	-	-	2.20	1.10	1.58	2.23	3.15	3.86	4.98	5.89	7.04	700	1300
	<b>632.647</b>	○***	○**	-	<b>CC</b>	<b>CE</b>	-	2.50	1.30	2.00	2.83	4.00	4.90	6.33	7.48	8.94	700	1300
	<b>632.677</b>	○***	○**	-	<b>CC</b>	<b>CE</b>	-	2.70	1.40	2.38	3.36	4.75	5.82	7.51	8.89	10.62	720	1330
	<b>632.727</b>	○***	○**	-	<b>CC</b>	<b>CE</b>	-	3.00	1.60	3.15	4.46	6.30	7.72	9.96	11.79	14.09	740	1360
	<b>632.767</b>	○	-	-	<b>CC</b>	<b>CE</b>	-	3.50	1.70	4.00	5.66	8.00	9.80	12.65	14.97	17.89	760	1400
	<b>632.807</b>	○	-	-	<b>CC</b>	-	<b>CG</b>	4.00	2.00	5.00	7.07	10.00	12.25	15.81	18.71	22.36	790	1450
	<b>632.847</b>	○	-	-	<b>CC</b>	-	<b>CG</b>	4.50	2.30	6.25	8.84	12.50	15.31	19.76	23.39	27.95	790	1450
	<b>632.887</b>	○	-	-	-	-	<b>CG</b>	5.00	2.60	8.00	11.31	16.00	19.60	25.30	29.93	35.78	800	1460
	<b>632.927</b>	○	-	-	-	-	<b>CG</b>	5.00	2.90	10.00	14.14	20.00	24.50	31.62	37.42	44.72	800	1460

<sup>1</sup>We reserve the right to deliver AISI 316Ti or AISI 316L under the material no. 17.

A = equivalent bore diameter · E = Narrowest free cross section

\*differing spray pattern

\*\*only available with code CC

\*\*\*only available with code CG

Subject to technical modifications.

**Example of ordering:** Type + Material no. + Code = Ordering no.  
**632.607 + 17 + CA = 632.607.17.CA**



Conversion formula for the above series:  $\dot{V}_2 = \dot{V}_1 \cdot \sqrt{\frac{p_2}{p_1}}$