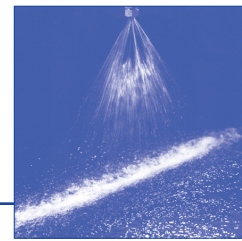




Flat fan dovetail nozzles

Series 669



Spray pipes with these nozzles show an extremely uniform total liquid distribution.

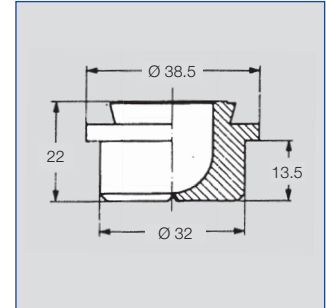
Applications:
Cleaning, pickling, coating, rinsing.





Mat. no. 17



Mat. no. 5E



Spray angle 	Ordering no.			A Ø [mm]	E Ø [mm]	V̇ [l/min]								Spray width B  at p=2 bar	
	Type	Mat. no.				p [bar]								H = 250 mm	H = 500 mm
		17 ¹	5E			0.5	1.0	2.0	[US gal./ min] at 40 psi	3.0	5.0	7.0	10.0		
		AISI 316Ti/ AISI 316L	PVDF												
20°	669.041	○	○	8.00	6.50	20.00	28.00	40.00	12.41	49.00	63.00	75.00	90.00	115	210
	669.121	○	○	10.00	8.30	32.00	45.00	63.00	15.50	77.00	100.00	118.00	141.00	115	210
	669.201	○	○	12.00	10.60	50.00	71.00	100.00	31.00	122.00	158.00	187.00	224.00	115	210
	669.281	○	○	15.00	13.00	80.00	113.00	160.00	49.60	196.00	253.00	299.00	358.00	115	210
30°	669.042	○	○	8.00	6.40	20.00	28.00	40.00	12.41	49.00	63.00	75.00	90.00	160	310
	669.122	○	○	10.00	8.20	32.00	45.00	63.00	15.50	77.00	100.00	118.00	141.00	160	310
	669.202	○	○	12.00	10.40	50.00	71.00	100.00	31.00	122.00	158.00	187.00	224.00	160	310
	669.282	○	○	15.00	12.10	80.00	113.00	160.00	49.60	196.00	253.00	299.00	358.00	160	310
45°	669.043	○	○	8.00	5.90	20.00	28.00	40.00	12.41	49.00	63.00	75.00	90.00	250	490
	669.123	○	○	10.00	7.30	32.00	45.00	63.00	15.50	77.00	100.00	118.00	141.00	250	490
	669.163	○	○	10.80	8.40	40.00	57.00	80.00	24.80	98.00	126.50	150.00	179.00	250	490
	669.203	○	○	12.00	9.80	50.00	71.00	100.00	31.00	122.00	158.00	187.00	224.00	250	490
	669.243	○	○	13.40	10.20	62.00	88.00	125.00	38.74	153.00	197.60	234.00	279.00	250	490
	669.263	○	○	14.20	10.60	70.00	99.00	140.00	43.33	171.00	221.00	261.00	313.00	250	490
	669.283	○	○	15.00	11.50	80.00	113.00	160.00	49.60	196.00	253.00	299.00	358.00	250	490
	669.343	○	○	18.00	14.40	112.00	158.00	224.00	69.40	274.00	354.00	419.00	501.00	250	490
60°	669.044	○	○	8.00	5.50	20.00	28.00	40.00	12.41	49.00	63.00	75.00	90.00	340	640
	669.124	○	○	10.00	7.40	32.00	45.00	63.00	15.50	77.00	100.00	118.00	141.00	340	640
	669.204	○	○	12.00	9.50	50.00	71.00	100.00	31.00	122.00	158.00	187.00	224.00	340	640
	669.284	○	○	15.00	9.40	80.00	113.00	160.00	49.60	196.00	253.00	299.00	358.00	340	640
90°	669.046	○	○	8.00	4.90	20.00	28.00	40.00	12.41	49.00	63.00	75.00	90.00	525	1020
	669.126	○	○	10.00	6.50	32.00	45.00	63.00	15.50	77.00	100.00	118.00	141.00	525	1020
	669.206	○	○	12.00	8.70	50.00	71.00	100.00	31.00	122.00	158.00	187.00	224.00	525	1020
	669.286	○	○	15.00	9.45	80.00	113.00	160.00	49.60	196.00	253.00	299.00	358.00	525	1020
120°	669.047	○	○	8.00	4.40	20.00	28.00	40.00	12.41	49.00	63.00	75.00	90.00	800	1460
	669.127	○	○	10.00	5.90	32.00	45.00	63.00	15.50	77.00	100.00	118.00	141.00	800	1460
	669.207	○	○	12.00	7.60	50.00	71.00	100.00	31.00	122.00	158.00	187.00	224.00	800	1460
	669.287	○	○	15.00	8.85	80.00	113.00	160.00	49.60	196.00	253.00	299.00	358.00	800	1460

¹We reserve the right to deliver AISI 316Ti or AISI 316L under the material no. 17.
E = Narrowest free cross section · A = Equivalent bore diameter

Example	Type	+	Material no.	=	Ordering no.
of ordering:	669.041	+	17	=	669.041.17



Conversion formula for the above series: $\dot{V}_2 = \dot{V}_1 \cdot \sqrt{\frac{p_2}{p_1}}$



Flat fan dovetail nozzles Accessories Series 669

Hex 50 1 1/4 BSPP
27 21
Ø 32.2

Retaining nut:
066.900.17¹
(AISI 316Ti/AISI 316L)
Mat. no. 17

Ø 58
G 1 1/4 ISO 228
27 21
Hex 50
Mat. no. 5E

066.900.5E (PVDF)

Ø 41.5
40
23
Ø 21
1/4 BSPP

Welding nipple:
066.910.17¹
(AISI 316Ti/AISI 316L)
066.910.5E (PVDF)

Blind Tip

38.5
22
32

006.690.00

58

Welding nipple (L = 40 mm)
with nozzle and cap nut

15°

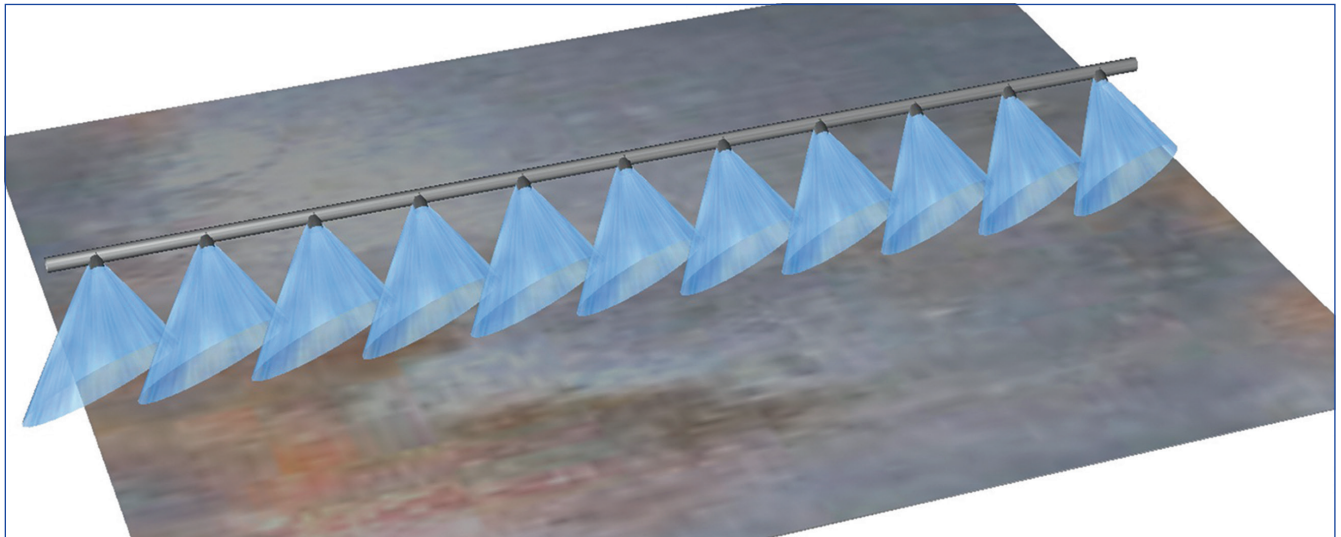
15°

Other offset angles
are available on request

Minimum pitch for series 669

min. 70
6.1
9.4
Ø 70

required clearance for box nut



¹We reserve the right to deliver AISI 316Ti or AISI 316L under the material no. 17.