



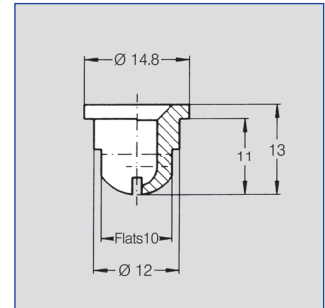
Flat fan nozzles for air or saturated steam


Series 679

Particularly wide-angle, powerful air jet. Assembling with retaining nut. Easy nozzle changing. Simple jet alignment.

Applications:

Blowing off liquids, cooling, reheating, drying.

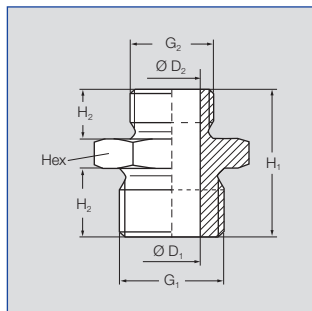


Spray angle 	Ordering no.			A Ø [mm]	\dot{V}_n L = Air [m³/h]							
	Type	Mat. no.			\dot{M} S = Saturated Steam [kg/h]							
		17¹	5E		p [bar]							
		AISI 316Ti/ AISI 316L	PVDF		0.5		2.0		5.0		10.0	
			L	S	L	S	L	S	L	S		
ca. 70°	679.085	○	○	1.3	2.00	1.60	4.00	3.10	8.00	6.10	14.70	11.10
	679.117	○	○	1.5	2.10	1.70	4.20	3.30	8.40	6.50	15.40	11.70
	679.165	○	○	1.8	2.60	2.00	5.10	4.10	10.30	8.00	18.80	14.30
	679.255	○	○	2.1	3.60	2.80	7.30	5.70	14.50	11.20	26.60	20.20
	679.365	○	○	2.8	6.30	5.00	12.70	10.00	25.40	19.60	46.50	35.30
	679.415	○	○	3.6	10.20	8.00	20.30	16.00	40.70	31.40	74.60	56.70
	679.495	○	○	4.3	15.60	12.40	31.10	24.80	62.20	48.50	114.00	87.60

A = Equivalent bore diameter

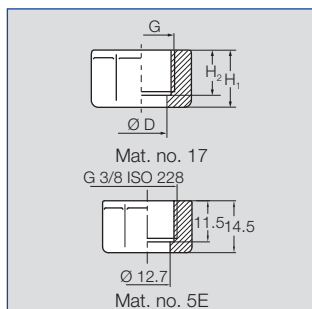
Example of ordering:	Type	+	Material no.	=	Ordering no.
	679.085	+	17	=	679.085.17

Double nipple



Type	Ordering no.		Dimensions [mm]							Weight
	Mat. no.		G ₁ BSPP	G ₂ BSPP	H ₁	H ₂	D ₁	D ₂	Hex	
	17¹	5E								
065.215	○	○	3/8 A	1/4 A	25	10	10	7	22	28.5 g
065.211	○	○	3/8 A	3/8 A	25	10	11.5	-	22	23.75 g

Nuts



Type	Ordering no.		Dimensions [mm]					Weight
	Mat. no.		G BSPP	H ₁	H ₂	D	Hex	
	17¹	5E						
065.200	○	-	3/8	13,0	10,0	12,8	22	23.75 g
065.200	-	○	3/8	14,5	11,5	12,8	22	23.75 g

¹We reserve the right to deliver AISI 316Ti or AISI 316L under the material no. 17.

