

ENGINEERING  
YOUR SPRAY SOLUTION



➤➤ ADAPTER  
HygienicFit

Series 05C

GENERAL INDUSTRY

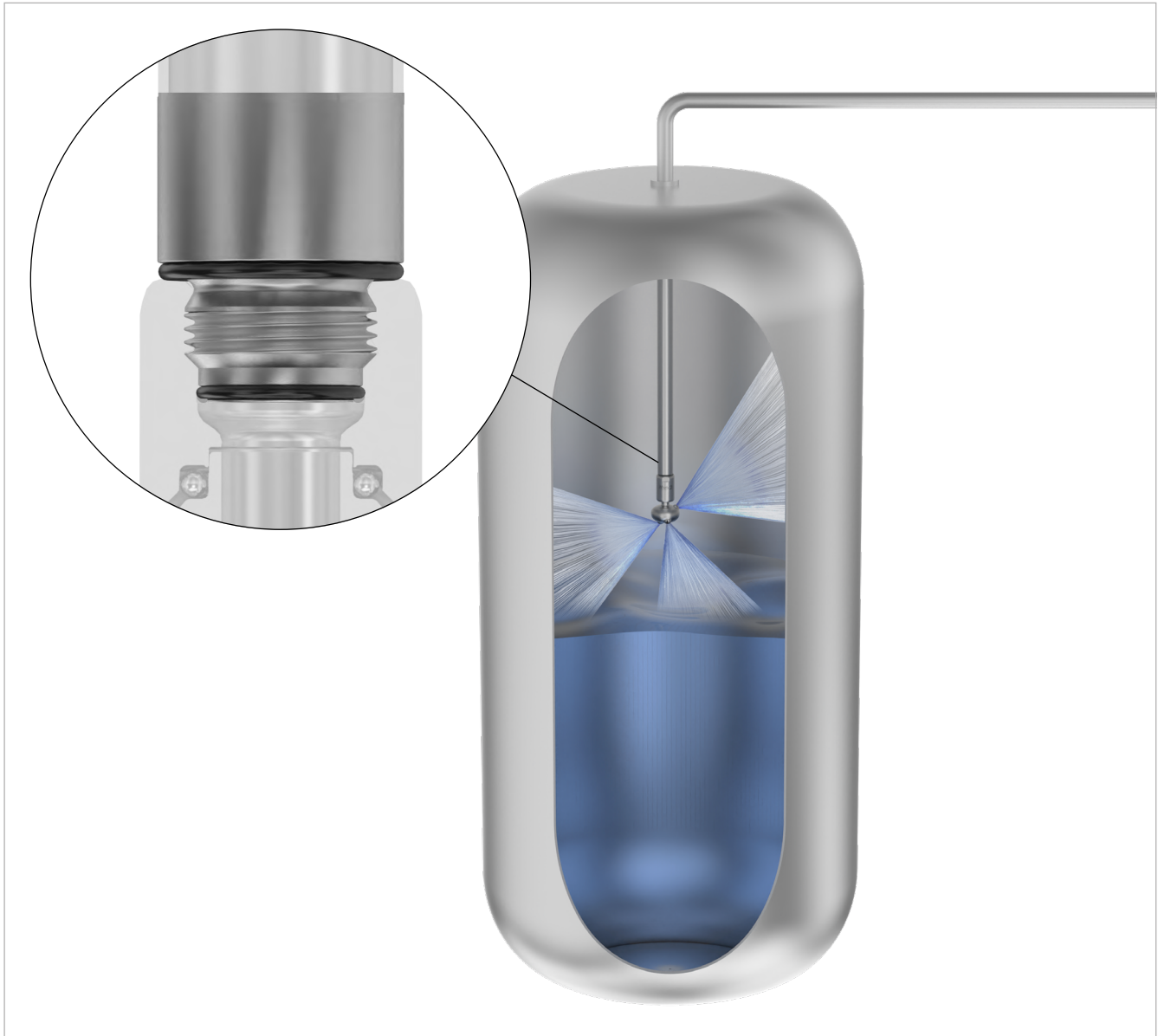


# Adapter HygienicFit

## The hygienic connection



The HygienicFit ensures a hygienic connection between your Lechler tank cleaning nozzle and the supply line. The adaptor is welded onto the connection pipe, while the Lechler tank cleaning nozzle is screwed onto it. The O-rings on the adapter completely encapsulate the thread, thereby providing a perfectly hygienic connection to the system. Through the use of the O-rings, the HygienicFit also offers a reliable thread lock.



**Materials**  
1.4404 (316L);  
EPDM (O-Ring)



**Max. temperature**  
150 °C



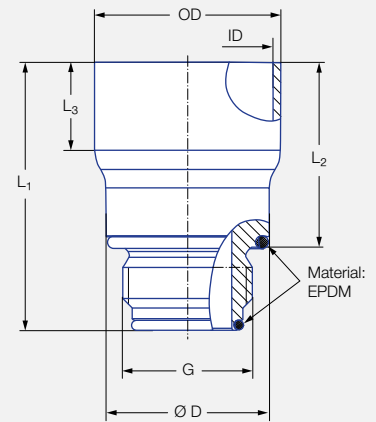
**Installation**  
Operation in every  
direction is possible



When you see this icon on our product pages, compatibility of the nozzle with the HygienicFit is ensured.

### Features:

- Hygienic threaded connection between system and nozzle
- Available for many thread sizes
- Welding side, suitable for commonly used pipe standards
- O-rings ensure an impermeable connection
- O-rings completely encapsulate the thread



Series 05C

Ordering no.	Connection thread BSPP male	Dimensions [mm]				Dimensions OD = Outer diameter ID = Inner diameter [mm]		Pipe standard
		L <sub>1</sub>	L <sub>2</sub>	L <sub>3</sub>	Ø D	OD	ID	
<b>05C.190.1Y.AE.16</b>	3/8	48	35,7	18	21,5	19,05	15,8	DIN EN 10357 series D
<b>05C.230.1Y.AE.15</b>	3/8	48	35,7	18	21,5	23	20	DIN EN 10357 series A
<b>05C.250.1Y.AE.12</b>	3/8	48	35,7	17	21,5	25	22,6	DIN EN 10357 series D
<b>05C.250.1Y.AG.12</b>	1/2	56	39	18	31	25	22,6	DIN EN 10357 series D
<b>05C.350.1Y.AK.15</b>	3/4	55	37,8	21	33,5	35	32	DIN EN 10357 series A
<b>05C.380.1Y.AK.12</b>	3/4	55	37,8	18	33,5	38	35,6	ISO 2037
<b>05C.381.1Y.AK.15</b>	3/4	55	37,8	18	33,5	38,1	35,1	DIN EN 10357 series D
<b>05C.381.1Y.AM.16</b>	1	59	39	23	40,5	38,1	34,9	DIN EN 10357 series D
<b>05C.508.1Y.AP.15</b>	1 1/4	57	38	22	49,4	50,8	47,8	DIN EN 10357 series D
<b>05C.635.1Y.AR.16</b>	1 1/2	63	44	22	56	63,5	60,3	DIN EN 10357 series D

### Spare parts set of O-rings, EPDM

Thread type BSPP	Ordering no.
3/8	<b>05C.000.E9.AE.00</b>
1/2	<b>05C.000.E9.AG.00</b>
3/4	<b>05C.000.E9.AK.00</b>
1	<b>05C.000.E9.AM.00</b>
1 1/4	<b>05C.000.E9.AP.00</b>
1 1/2	<b>05C.000.E9.AR.00</b>

O-ring set is also available on request in FKM.

**A perfect addition.**  
For a clean unit.

***HygienicFit***

**ENGINEERING  
YOUR SPRAY SOLUTION**



**Lechler GmbH · Precision Nozzles · Nozzle Systems**  
**Ulmer Strasse 128 · 72555 Metzingen, Germany · Phone +49 7123 962-0 · info@lechler.de · www.lechler.com**

Edition 08/21 · EN · PDF  
Subject to technical modifications or mistakes.