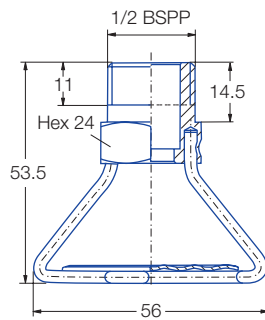


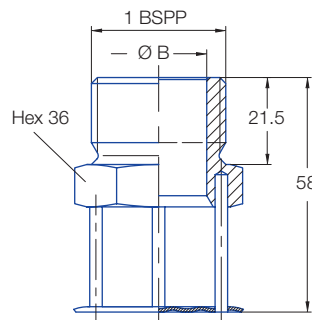


# Deflector-plate nozzle Series 524 / 525

Full cone spray. Non clogging nozzle without swirl insert.



Type 524.809 – 525.269



Type 525.349 – 525.489

Spray angle 	Ordering no.		B Ø [mm]	V̇ [l/min]						Spray diameter D [m]  at p=3 bar ca.	
	Type	Mat. no.		p [bar]						H = 1 m	H = 3 m
		17 <sup>1</sup> 316Ti SS/316L SS		0.5	1.0	2.0	3.0	5.0	10.0		
180°	524.809	○	4.00	5.00	7.10	10.00	12.20	15.80	22.40	5.60	6.40
	524.969	○	6.20	12.50	17.70	25.00	30.60	39.50	55.90	8.00	9.00
	525.049	○	8.00	20.00	28.30	40.00	49.00	63.20	89.40	10.00	13.20
	525.269	○	12.30	70.00	99.00	140.00	171.00	221.00	313.00	5.20	10.20
	525.349	○	16.20	112.00	158.40	224.00	274.30	354.20	500.80	4.80	9.70
	525.469	○	23.80	222.70	315.00	445.50	545.60	704.40	996.20	4.50	9.50
	525.489	○	25.30	250.00	353.60	500.00	612.40	790.60	1118.00	4.00	9.00

B = Bore diameter

<sup>1</sup>We reserve the right to deliver 316Ti SS or 316L SS under the material no. 17.

<b>Example of ordering:</b>	<b>Type</b>	<b>+</b>	<b>Material-no.</b>	<b>=</b>	<b>Ordering no.</b>
	525.809		+ 17		= 525.809.17