

High impact cleaner IntenseClean Hygienic Series 5TB



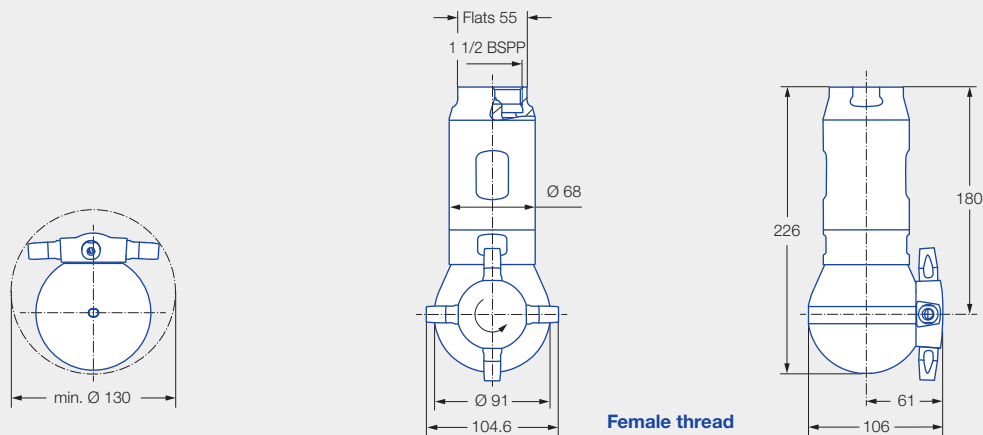
Features:

- Proven in the pharmaceutical and food and beverage industry
- High surface quality



ATEX version on request

Series 5TB



Max. tank diameter [m]	0	3	6	9	12	15	18	21	24	27
------------------------	---	---	---	---	----	----	----	----	----	----



Cleaning efficiency class
5



Max. temperature
150 °C



Installation
Operation in every direction is possible



Bearing
Ball bearing



Material
Stainless steel 316L, stainless steel 632, PTFE, PEEK, zirconium oxide, EPDM



Recommended operating pressure
5 bar



Filtration
Line strainer with a mesh size of 0.2 mm/80 mesh



Rotation monitoring
Sensor compatible, for information: See Page 229

www.lechler.com/de-en/medialibrary/videos-general-industry
Or scan the QR code.



Spray angle	Ordering no. Type	Narrowest free cross section Ø [mm]	Number, Ø Nozzles [mm]	V̇ water [l/min]				Max. tank diameter [m]
				p [bar] (p _{max} = 25 bar)				
				2.0	5.0	10.0	at 40 psi [US gal/min]	
360° 	5TB.406.1Y.AS	6.0	4 x 6.0	107	169	239	33	14.0
	5TB.407.1Y.AS	6.0	4 x 7.0	132	209	296	41	14.0
	5TB.408.1Y.AS	6.0	4 x 8.0	150	238	336	47	15.0

NPT thread available on request.

The maximum tank diameter applies to the recommended operating pressure and is meant as a recommendation only. The cleaning result is also affected by the type of soiling.

Compressed air should be used for dry blowing for a short time only. Operation above the recommended operating pressure has a negative impact on the cleaning result and wear.





LEISTER

5TB.408.1Y.AS.00

SN 40013472
33618

LEISTER