

# High impact cleaner IntenseClean Series 5TM



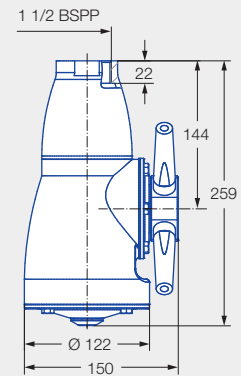
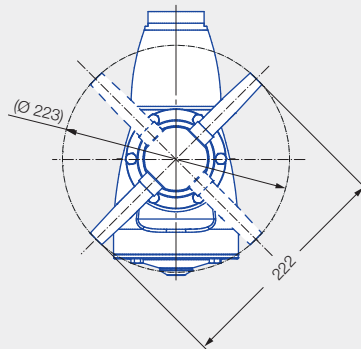
## Features:

- Very robust design
- High efficiency thanks to especially powerful solid jet nozzles
- High efficiency due to gear-controlled rotation
- Proven in the petrochemical industry

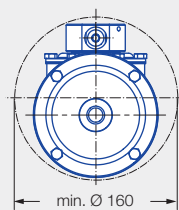


**ATEX version  
on request**

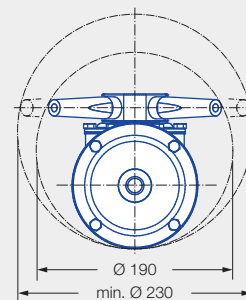
**Series 5TM**



**Female thread**



**5TM.2xx.1Y.AS  
(2 nozzles)**



**5TM.4xx.1Y.AS  
(4 nozzles)**

 <b>Max. tank diameter [m]</b>	0	3	6	9	12	15	18	21	24	27
---	---	---	---	---	----	----	----	----	----	----



**Cleaning efficiency class**  
5



**Max. temperature**  
95 °C



**Installation**  
Operation in every direction is possible



**Bearing**  
Ball bearing



**Material**  
Stainless steel 316L, stainless steel 304, stainless steel 302, PTFE, PEEK



**Recommended operating pressure**  
5 bar



**Filtration**  
Line strainer with a mesh size of 0.2 mm/80 mesh



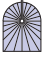
**Rotation monitoring**  
Sensor compatible, for information: See Page 229

[Function video](#)

[www.lechler.com/de-en/medialibrary/videos-general-industry](http://www.lechler.com/de-en/medialibrary/videos-general-industry)

Or scan the QR code.



Spray angle	Ordering no. Type	Narrowest free cross section Ø [mm]	Number, Ø Nozzles [mm]	V̇ water [l/min]					Max. tank diameter [m]
				p [bar] (p <sub>max</sub> = 7 bar)					
				2.0	3.0	5.0	7.0	at 40 psi [US gal/min]	
360° 	<b>5TM.208.1Y.AS</b>	8.0	2 × 8.0	125	153	<b>198</b>	234	39	24.0
	<b>5TM.210.1Y.AS</b>	10.0	2 × 10.0	160	196	<b>253</b>	299	50	24.0
	<b>5TM.406.1Y.AS</b>	6.0	4 × 6.0	140	171	<b>221</b>	261	43	18.0
	<b>5TM.407.1Y.AS</b>	7.0	4 × 7.0	170	208	<b>269</b>	318	53	20.0
	<b>5TM.408.1Y.AS</b>	8.0	4 × 8.0	200	245	<b>316</b>	374	62	22.0
	<b>5TM.410.1Y.AS</b>	10.0	4 × 10.0	260	318	<b>411</b>	486	81	23.0

NPT thread available on request.

The maximum tank diameter applies to the recommended operating pressure and is meant as a recommendation only. The cleaning result is also affected by the type of soiling.

Compressed air should be used for dry blowing for a short time only. Operation above the recommended operating pressure has a negative impact on the cleaning result and wear.