

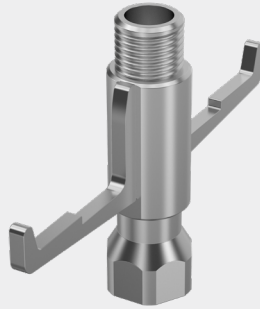


Automatic valves for canister cleaning CleanerValve and dead man's circuit

- Safety valves with dead man's circuit for practical canister cleaning

Advantages of CleanerValve

- Better cleaning effect due to deeper nozzle insertion into the canister
- Very robust valve made of stainless steel
- Extra-wide bearing area for easy cleaning of measuring cups
- User protection: gradings on the bearing area prevent slipping



CleanerValve

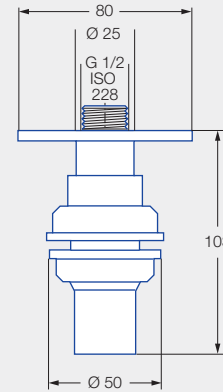
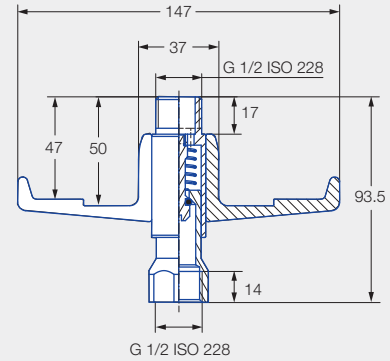
Advantages of dead man's circuit

- Valve is simple and convenient to operate
- Safety valve opens only in the event of container pressure
- Can be combined with static and rotating tank cleaning nozzles
- Versatile suitability for internal cleaning of all common canisters, containers and plant protection product packaging



Dead man's circuit

Dimensions in mm.



Technical data:



Materials
Stainless steel, POM



Pressure ranges
2–5 bar
Pressure > 5 bar:
Use orifice for
pressure reduction



Width across flats
CleanerValve
hex dia. 27 mm

Designation	Material	Order no.
CleanerValve	Stainless steel	092.175.17.01.00
Dead man's circuit	POM	A510.100.00.00.00

