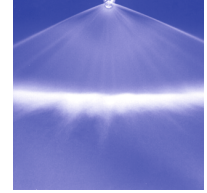




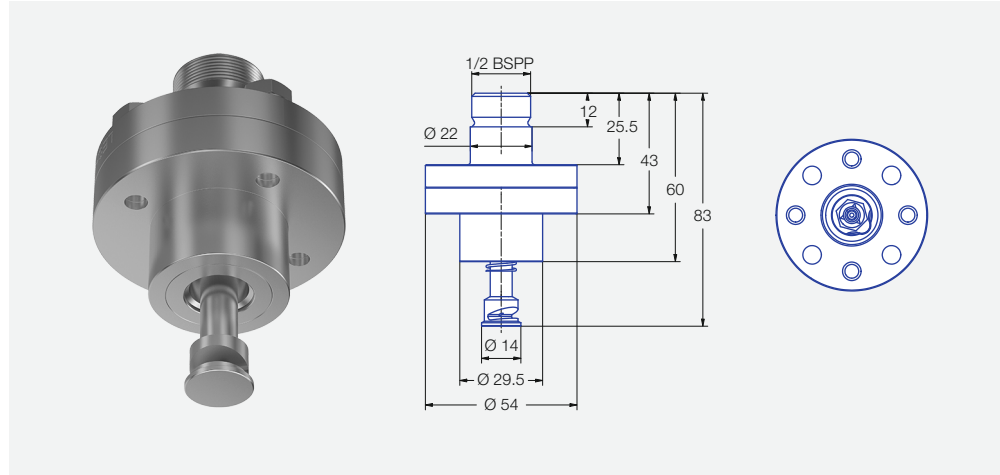
# Polished tongue-type nozzles Series 600.507/600.516



**Pop-up tongue-type nozzles guarantee an inconspicuous appearance combined with a high degree of functionality. Thanks to rear-side mounting, no protruding components interfere with the visual appearance or restrict the field of view.**

**Applications:**

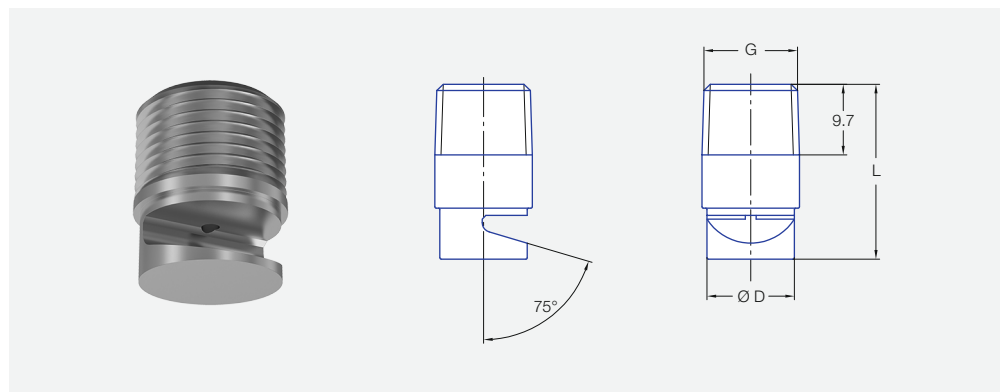
Window cleaning, preferably in yacht construction. Cleaning of surfaces that are difficult to access by spray pattern directed backwards.



Spray angle	Ordering no.	Mat. No.	V [l/min]
	Type	<b>17</b>	<b>p [bar]</b>
		316T-SS	5 bar
140°	<b>600.507</b>	○	3.15

Other materials on request

**Aesthetic design with a high quality appearance is important in yacht construction. Rough surfaces and edges have been eliminated to ensure a perfect look. The clog-resistant design and wide spray angle are combined with a powerful, intensive jet to permit spraying of large window surfaces.**



Spray angle	Ordering no.	Mat. No.	V [l/min]	Length [mm]	Diameter [mm]	Thread
	Type	<b>17</b>	<b>p [bar]</b>	L	D	G
		316T-SS	2 bar			
140°	<b>600.516.17.10.00.0</b>	○	2.50	16.00	12	G 1/4
	<b>600.516.17.11.00.0</b>	○	3.15	16.00	12	G 1/4
	<b>600.516.17.12.00.0</b>	○	2.00	16.00	12	G 1/4
	<b>600.516.17.21.00.0</b>	○	3.15	24.00	12	G 1/4
	<b>600.516.17.22.00.0</b>	○	2.00	24.00	12	G 1/4
	<b>600.516.17.24.00.0</b>	○	8.00	24.00	12	G 1/4
	<b>600.516.17.25.00.0</b>	○	10.00	24.00	12	G 1/4
	<b>600.516.17.26.00.0</b>	○	5.00	24.00	12	G 1/4

All flow rates and spray angles in accordance with page 48 possible on request  
**Other materials on request**

