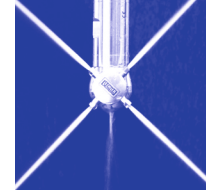




High impact tank cleaning machine

»IntenseClean Hygienic«

Series 5TA/5TB



- Gear-controlled
- Particularly powerful solid jets
- Operating pressures up to 15 and 25 bar possible

Applications:

Cleaning tanks/gray and black water tanks.

Materials:

316L SS, 632 SS, PEEK, PTFE, Zirconium oxide, EPDM

Max. temperature:

95 °C

Recommended operating pressure:
5 bar

Installation:

Operation in every direction possible

Filtration:

Line strainer with a mesh size of 0.2 mm/80 mesh

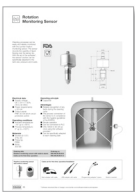
Bearing:

Ball bearing

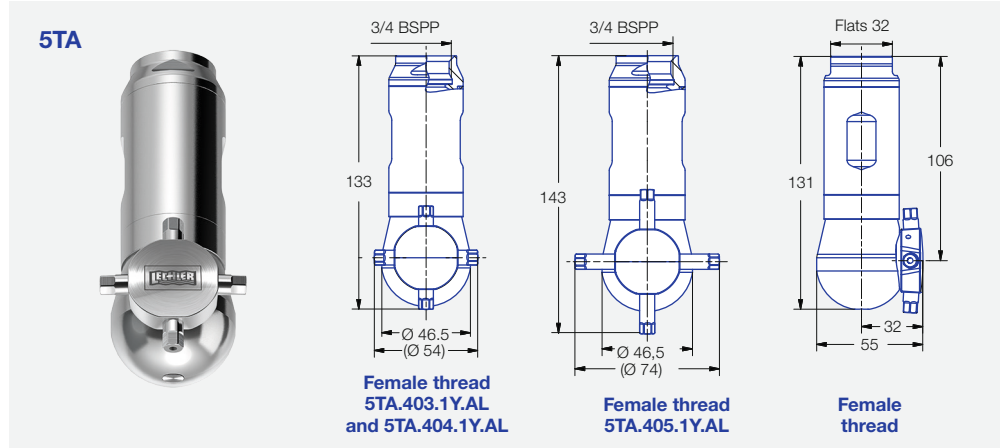
Weight:



5TA: 0.9 kg
5TB: 4.0 kg

Rotation monitoring sensor:



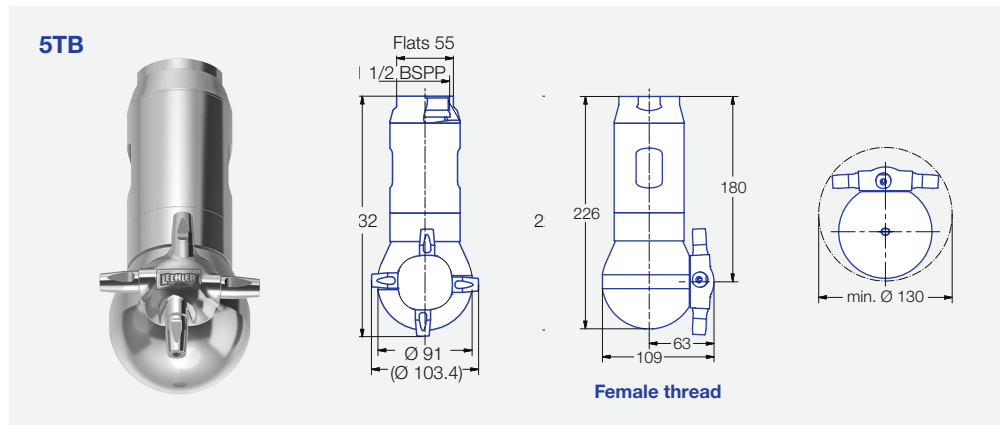
Sensor compatible, please ask for more information.





Spray angle 	Ordering no. Type	E Ø [mm]	Number, Ø Nozzles [mm]	V̇ [l/min]				Max. tank diameter [m]
				p [bar] (p _{max} = 15 bar)				
	5TA.403.1Y.AL	1.5	4 x 3.0	25	40	56	7.8	12.0
	5TA.404.1Y.AL	1.5	4 x 4.0	35	55	78	10.9	12.5
	5TA.405.1Y.AL	1.5	4 x 5.0	50	79	112	15.5	13.0

E = narrowest free cross section · Slip-on connection on request

The maximum tank diameter shown above applies for the recommended operating pressure and is indicative only. The cleaning result is also affected by the type of soiling.



Spray angle 	Ordering no. Type	E Ø [mm]	Number, Ø Nozzles [mm]	V̇ [l/min]				Max. tank diameter [m]
				p [bar] (p _{max} = 25 bar)				
	5TB.406.1Y.AS	6.0	4 x 6.0	107	169	239	33.1	14.0
	5TB.407.1Y.AS	6.0	4 x 7.0	135	213	302	41.9	14.0
	5TB.408.1Y.AS	6.0	4 x 8.0	165	261	369	51.2	15.0

E = narrowest free cross section · Slip-on connection on request

The maximum tank diameter shown above applies for the recommended operating pressure and is indicative only. The cleaning result is also affected by the type of soiling.



ATEX version on request



5TA



5TB

Function video

Scan the QR-code or go to:
www.lechler.com/intensecleanhygienic5ta
www.lechler.com/intensecleanhygienic5tb

