



High impact tank cleaning machine

»IntenseClean«

Series 5TM



- Gear driven
- Very powerful solid jets
- Popular and proven design

Applications:

Cleaning tanks/gray and black water tanks.

Materials:

316L SS, 304 SS, PTFE, PEEK

Max. temperature:

95 °C

Recommended operating pressure:

5 bar

Installation:

Operation in every direction possible

Filtration:

Line strainer with a mesh size of 0.2 mm/80 mesh

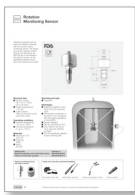
Bearing:

Ball bearing

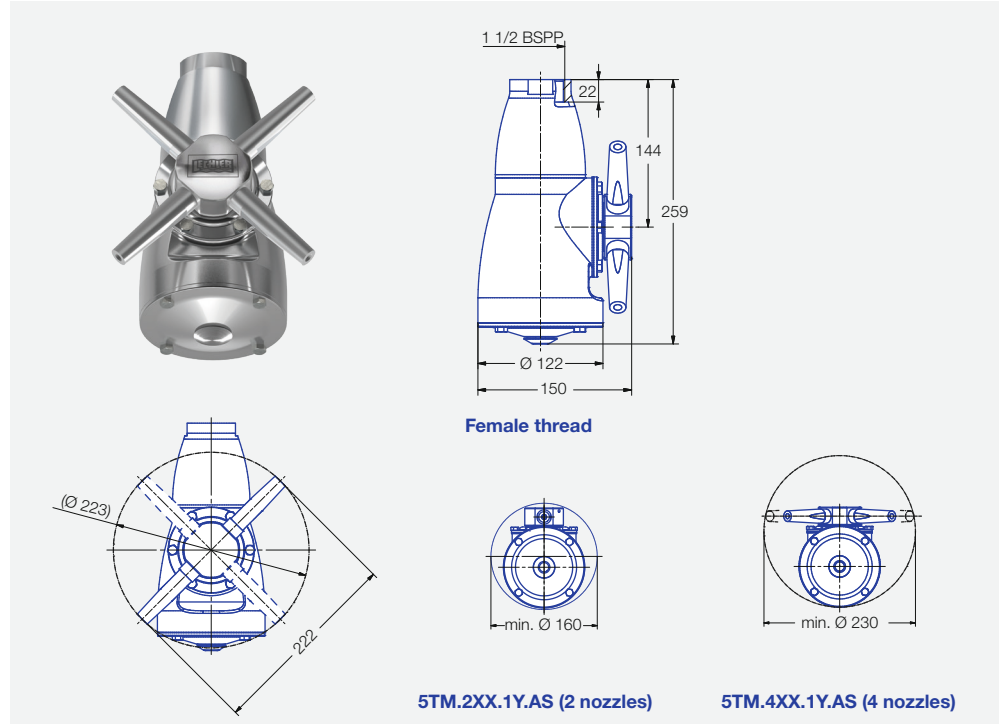
Weight:

7.5 kg

Rotation monitoring sensor:



Sensor compatible, please ask for more information.



Spray angle	Ordering no.	E Ø [mm]	Number, Ø Nozzles [mm]	V̇ [l/min]				Max. tank diameter [m]
				p [bar] (p _{max} = 7 bar)				
				2	3	5	at 40 psi [US gal./ min]	
360°	5TM.208.1Y.AS	8	2 x 8.0	125	153	198	39	24.0
	5TM.210.1Y.AS	10	2 x 10.0	160	196	253	50	24.0
	5TM.406.1Y.AS	6	4 x 6.0	140	171	221	43	18.0
	5TM.407.1Y.AS	7	4 x 7.0	170	208	269	53	20.0
	5TM.408.1Y.AS	8	4 x 8.0	200	245	316	62	22.0
	5TM.410.1Y.AS	10	4 x 10.0	260	318	411	81	23.0

E = narrowest free cross section

The maximum tank diameter shown above applies for the recommended operating pressure and is indicative only. The cleaning result is also affected by the type of soiling.



Function video

Scan the QR-code or go to:
www.lechler.com/intenseclean

