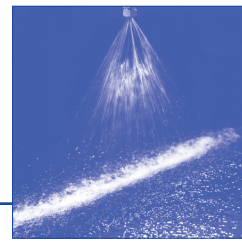




Flat fan nozzles

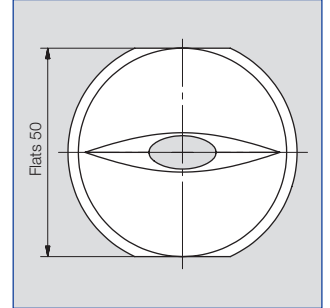
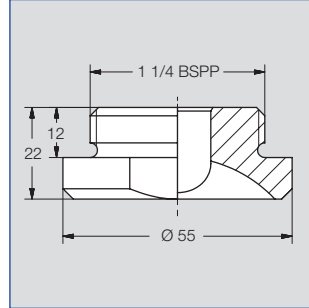
Series 621





Parabolic distribution of liquid.

Applications:

Cleaning, pickling, surface treatment, rinsing.



Spray angle 	Ordering no.		A Ø [mm]	E Ø [mm]	\dot{V} [l/min]							Spray width B  at p=2 bar	
	Type	Mat. no.			p [bar]							H = 250 mm	H = 500 mm
		5E			0.5	1.0	2.0	3.0	5.0	7.0	10.0		
20°	621.121	○	8.0	6.5	32	45	63	77	100	118	141	115	210
45°	621.123	○	10.0	7.3	32	45	63	77	100	118	141	250	490
	621.203	○	12.0	9.8	50	71	100	122	158	187	224	250	490
	624.243	○	13.3	10.2	62	88	125	153	197.6	234	279	250	490
	621.263	○	14.2	10.6	70	99	140	171	221	261	313	250	490
	621.283	○	15.0	11.5	80	113	160	193	253	299	358	250	490
60°	621.343	○	18	14.4	112	158	224	274	354	419	501	250	490
	621.124	○	10.0	7.4	32	45	63	77	100	118	141	340	640
	621.204	○	12.0	9.5	50	71	100	122	158	187	224	340	640
90°	621.284	○	15.0	9.4	80	113	160	193	253	299	358	340	640
	621.126	○	10.0	6.5	32	45	63	77	100	118	141	525	1020
	621.206	○	12.0	8.7	50	71	100	122	158	187	224	525	1020
	621.286	○	15.0	12.0	80	113	160	193	253	299	358	525	1020

E = Narrowest free cross section · A = Equivalent bore diameter
incl. gasket 062.140.72.00 (Material: EWP 210)

Example	Type	+	Material no.	=	Ordering no.
of ordering:	621.121	+	5E	=	621.121.5E