



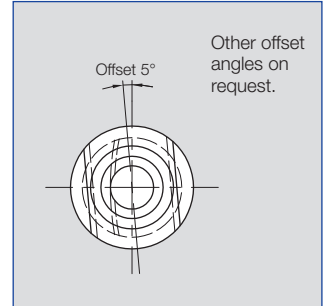
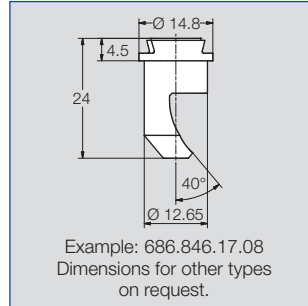
Tongue-type nozzles with dovetail


Series 686. XXX.WW.08



**Wide, sharply defined flat fan pattern.
Non-clogging.
Automatic jet alignment due to dovetail guide.**

Applications:
Pickling, rinsing.



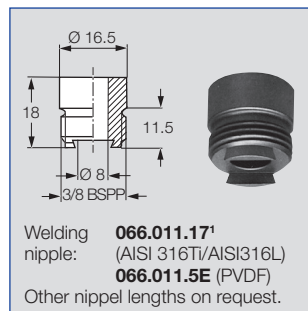
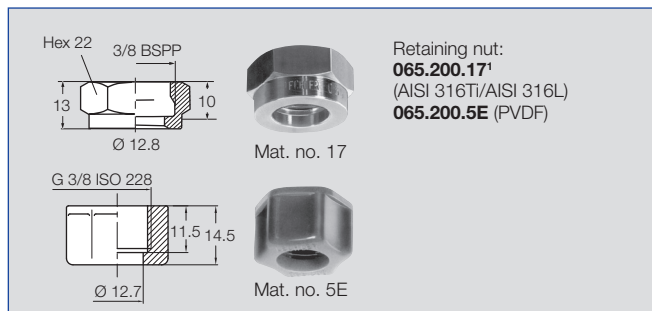
Spray angle	η	Ordering no.		B Ø [mm]	\dot{V} [l/min]			Spray width B  at p=2 bar H = 250 mm
		Type	Mat. no. 17 ¹ AISI 316Ti/ AISI 316L		p [bar]			
					1.0	2.0	5.0	
90°	40°	686.646	○	2.2	2.83	4.00	6.32	530
		686.686	○	2.4	3.54	5.00	7.91	530
		686.726	○	2.7	4.45	6.30	9.96	530
		686.766	○	3	5.66	8.00	12.65	530
		686.806	○	3.4	7.07	10.00	15.81	530
		686.846	○	3.8	8.84	12.50	19.76	530
		686.886	○	4.2	11.31	16.00	25.30	530
		686.926	○	4.7	14.14	20.00	31.62	530
		686.926	-	4.7	14.14	20.00	31.62	530
140°	75°	686.648	○	2.2	2.83	4.00	6.32	1370
		686.688	○	2.4	3.54	5.00	7.91	1370
		686.728	○	2.7	4.45	6.30	9.96	1370
		686.768	○	3	5.66	8.00	12.65	1370
		686.808	○	3.4	7.07	10.00	15.81	1370
		686.828	○	3.6	7.92	11.20	17.71	1370
		686.848	○	3.8	8.84	12.50	19.76	1370
		686.888	○	4.2	11.31	16.00	25.3	1370
		686.908	○	4.5	12.73	18.00	28.46	1370
				686.928	○	4.7	14.14	20.00

¹We reserve the right to deliver AISI 316Ti or AISI 316L under the material no. 17.

B = Bore diameter

Other types and materials on request.

Example **Type** + **Material no.** + **Code** = **Ordering no.**
of ordering: 686.646 + 17 + 08 = 686.646.17.08



Welding nipples and cap nuts must be ordered separately. Please see folded page at the end of the catalogue for suitable accessories.

Conversion formula for the above series: $\dot{V}_2 = \dot{V}_1 * \sqrt{\frac{p_2}{p_1}}$

