

ENGINEERING
YOUR SPRAY SOLUTION



PRECISION SPRAY NOZZLES AND ENGINEERED SOLUTIONS FOR THE CHEMICAL INDUSTRY

GENERAL INDUSTRY



PROCESS OPTIMIZATION WITH NOZZLE TECHNOLOGY

On the one hand every company needs to develop and constantly optimize its production processes. In automated systems, even minor discrepancies can provide optimization opportunities. On the other side processes in the chemical industry are extremely complex and mutually dependent, each adjustment extends far beyond its immediate scope. That's why for over 140 years, Lechler provides nozzle and spray technology that always involves the understanding of all the processes involved.



As early as when his trading company was founded in 1879, Paul Lechler believed in chemistry. Initially the main focus was on technical products, machine oils and wood preservatives, and in 1905 the company gained exclusive sales rights to the protective coating Inertol®. By 1919 he had added his self-produced protective coatings to this portfolio.

Later, our company's focus shifted from chemical production to application and atomization of liquids. In 1961, all chemical products were finally combined in a separate company. But nevertheless, chemistry kept playing a major role in our company.

Today Lechler offers a wide product range for the optimization of technical processes. Throughout our history, chemistry has played a major role in our company. Over the course of many decades, this gave rise to a unique understanding of spraying and atomization processes.

We are familiar with a wide range of applications at various pressures, temperatures and atmospheres. The following pages will provide you with several examples of this.

1879



Company founded by Paul Lechler

1893



Patent for liquid atomization

1962



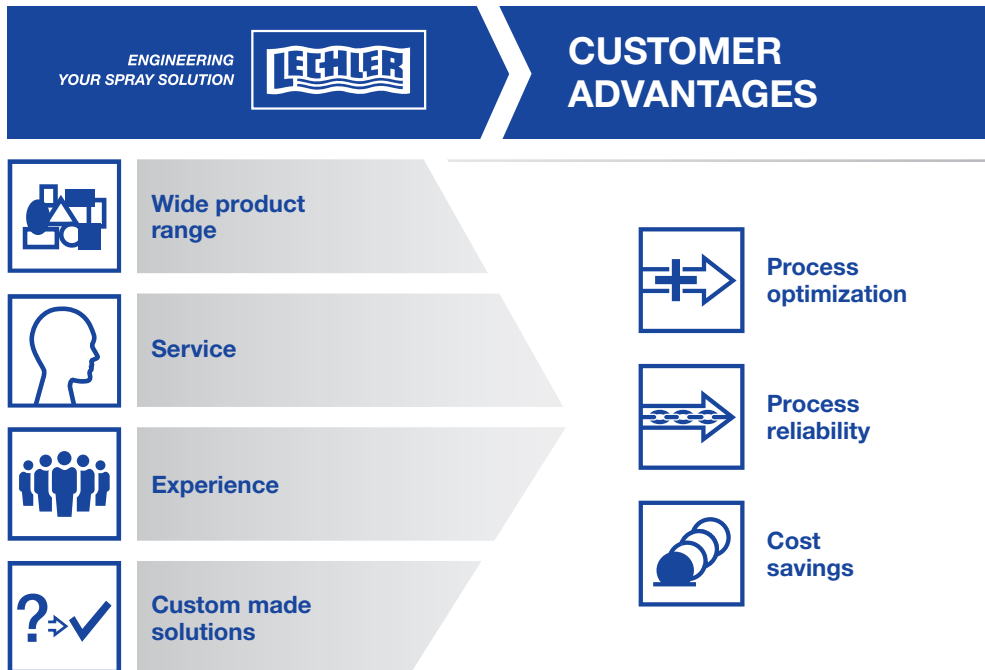
Sales offices set up in Germany

1978



Expansion to the USA and then to other countries

COMPETENCE – THE ADVANTAGE OF MULTIPLE PERSPECTIVES



Maximum precision and reliably reproducible spray patterns

– that’s what Lechler nozzles and spray solutions stand for. Today we not only offer a unique selection of quickly available standard nozzles, but are also prepared, to develop individual solutions customized to your needs. We would also be very pleased to advise you in person about how you can make your own processes even more efficient.

Our competence

Lechler is world leader in nozzle and spraying technology. Our products and solutions are used worldwide in an extremely wide range of sectors – including the chemical and process industry.

Our application engineers are familiar with practical use from many successful applications, and are therefore competent partners in the development and realization of exemplary solutions.

This know-how combined with our sophisticated technical achievements in research, design and production, provides you with the security needed for safe and reliable plant operation.

Take us at our word and let’s discuss your process needs in an obligation-free consultation.

Content	Page
Applications	4–21
Engineered solutions for process solutions	23
Nozzle lances and injectors	24–27
Lechler pump and control skids	28–29
Lechler droplet separators	30–33
CFD analysis	35
Measuring technology	37
Precision nozzles	38
Spillback nozzles	39
VarioJet® nozzles	40
Laval nozzles	41
Twin-fluid nozzles	42–43
Hollow cone nozzles	44–45
Full cone nozzles	46–57
Cluster head nozzles	58
Deflector-plate nozzle	59
Rotating cleaning nozzles	60–77
Quality with a system	78

1988



Environmental Technologies division founded

1995



Production, sales and administration are concentrated in Metzingen

2010



Expansion of production with new 13,000 m² production hall

2016

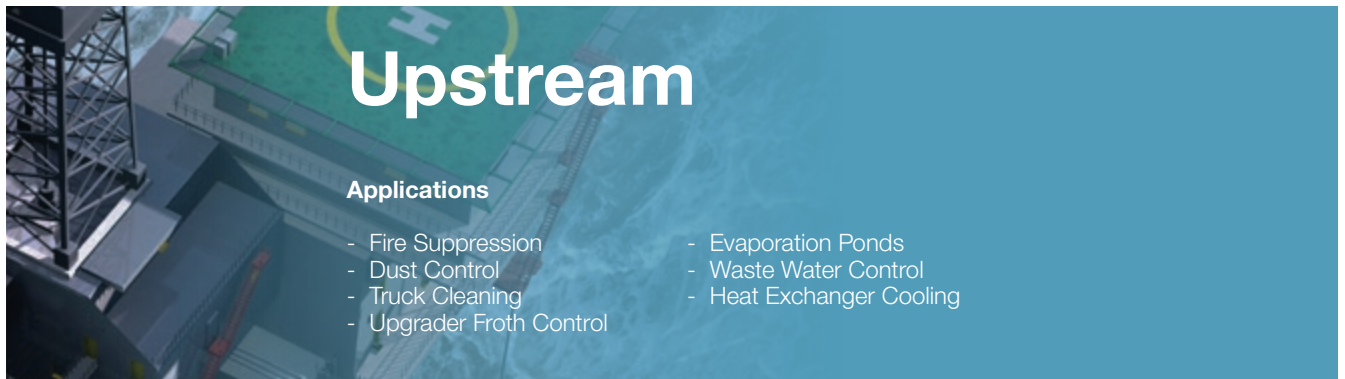


Opening of the ultra-modern Development and Technology Center in Metzingen



LECHLER NOZZLES AND ENGINEERED SOLUTIONS – FROM THE WELL TO THE REFINERY

Whether pinpoint precision or broad coverage – spray solutions from Lechler perfectly support your processes at any point. Thanks to our profound process understanding Lechler is far more than just a nozzle manufacturer. In fact, we can help to optimize the efficiency of a large number of your processes. E. g. in the petrochemical industry from the well to the refinery.



Upstream

Applications

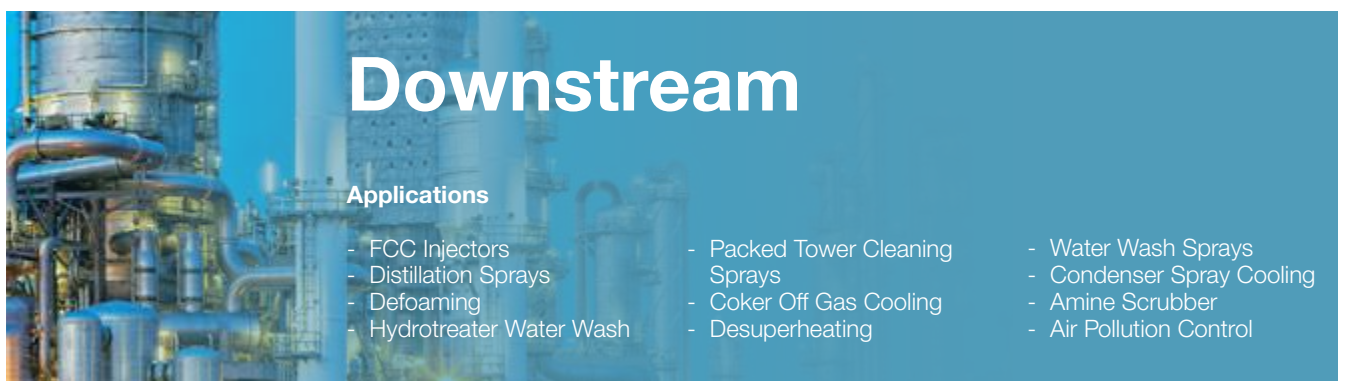
- Fire Suppression
- Dust Control
- Truck Cleaning
- Upgrader Froth Control
- Evaporation Ponds
- Waste Water Control
- Heat Exchanger Cooling



Midstream

Applications

- Corrosion Inhibitor Injection
- Bearing Grease Sprays
- Fire Suppression
- Additive Injection
- Storage Tank Cooling
- Hydrogen Scavenger Control
- Biocide Injection
- Glycol Injection
- Tank Cleaning
- Methanol Injection
- Rail Car Washing



Downstream

Applications

- FCC Injectors
- Distillation Sprays
- Defoaming
- Hydrotreater Water Wash
- Packed Tower Cleaning Sprays
- Coker Off Gas Cooling
- Desuperheating
- Water Wash Sprays
- Condenser Spray Cooling
- Amine Scrubber
- Air Pollution Control



LECHLER NOZZLES AND ENGINEERED SOLUTIONS – AT HOME ALONG THE ENTIRE PROCESS LINE

Intense heat, high pressure, corrosive agents – every aspect of our nozzles has to be well defined right from the beginning in order to maintain the ultimate precision. This begins with the internal dimensions and doesn't end at the choice of the material. After the design phase every nozzle is rigorously examined in our test facilities. This way, we can ensure that the spray patterns of our nozzles match perfectly the needs of your processes.



Basic Chemicals

Applications

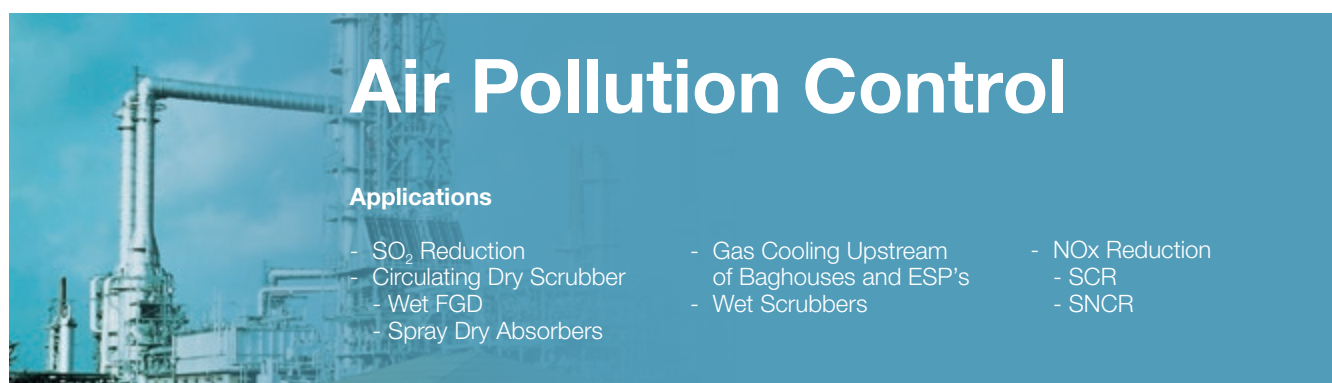
- Heat Exchanger Sprays
- Desuperheating
- Rapid Quenching Sprays
- Plastic Fiber Cooling
- Granulation
- Pelletizer
- Fractionation



Specialty Chemicals

Applications

- Tank Cleaning
- Heat Exchanger Sprays
- Carbon Products Manufacturing
- Spray Drying
- Rapid Quenching Sprays
- Granulation
- Fire Protection
- Pelletizer
- Sulfuric Acid Regeneration
- Fuel Oil Spray
- Fractionation



Air Pollution Control


Applications

- SO₂ Reduction
- Circulating Dry Scrubber
- Wet FGD
- Spray Dry Absorbers
- Gas Cooling Upstream of Baghouses and ESP's
- Wet Scrubbers
- NOx Reduction
- SCR
- SNCR

THIS IS WHERE YOU FIND YOUR ANSWER

The variety of different products synthesized and processed by the chemical industry is enormous. The same is true for the involved processes. Most of them are widely used and well understood. Others were specially developed and require extreme ambient conditions, occasionally customized to single reaction vessels.

Lechler supplies you in both areas with state-of-the-art nozzles and spray technologies.

A photograph showing several people in a meeting, looking at a large document or blueprint on a table. The image is overlaid with a blue gradient.

Engineered Solutions for Process Applications

A photograph showing various precision spray nozzles and components, including a large nozzle and several smaller ones, arranged on a light-colored surface. The image is overlaid with a blue gradient.

Precision Spray Nozzles

For large industry framework conditions special engineered solutions are necessary. That's why we also present to you additional Lechler customized products and solutions that we make only to order to meet the special needs of the chemical and petrochemical industry, e.g. pump and control skid units, lances, special nozzles, gas cooling and conditioning systems, droplet separators and more. If you can't find what you're looking for, don't hesitate to contact us.

We would be happy to examine the possibilities available to us for developing the optimum atomization nozzle to suit your needs – custom made and in close collaboration with you. Please note the production related delivery times and costs for the nozzles presented here.

- Customized products and solutions
- Tailored to your needs
- Extensive consultation
- Individual design and process support

For most applications, our precision spray nozzles will provide excellent results.

These parts have not only been meticulously designed but also have stood the test of time. Thanks to large-volume production, they are readily available at a reasonable price for the various applications in chemical-related applications. In this brochure you'll find our most commonly used products.

- Thousands of standardized nozzles
- Tried and tested
- Great value for money
- Short delivery time

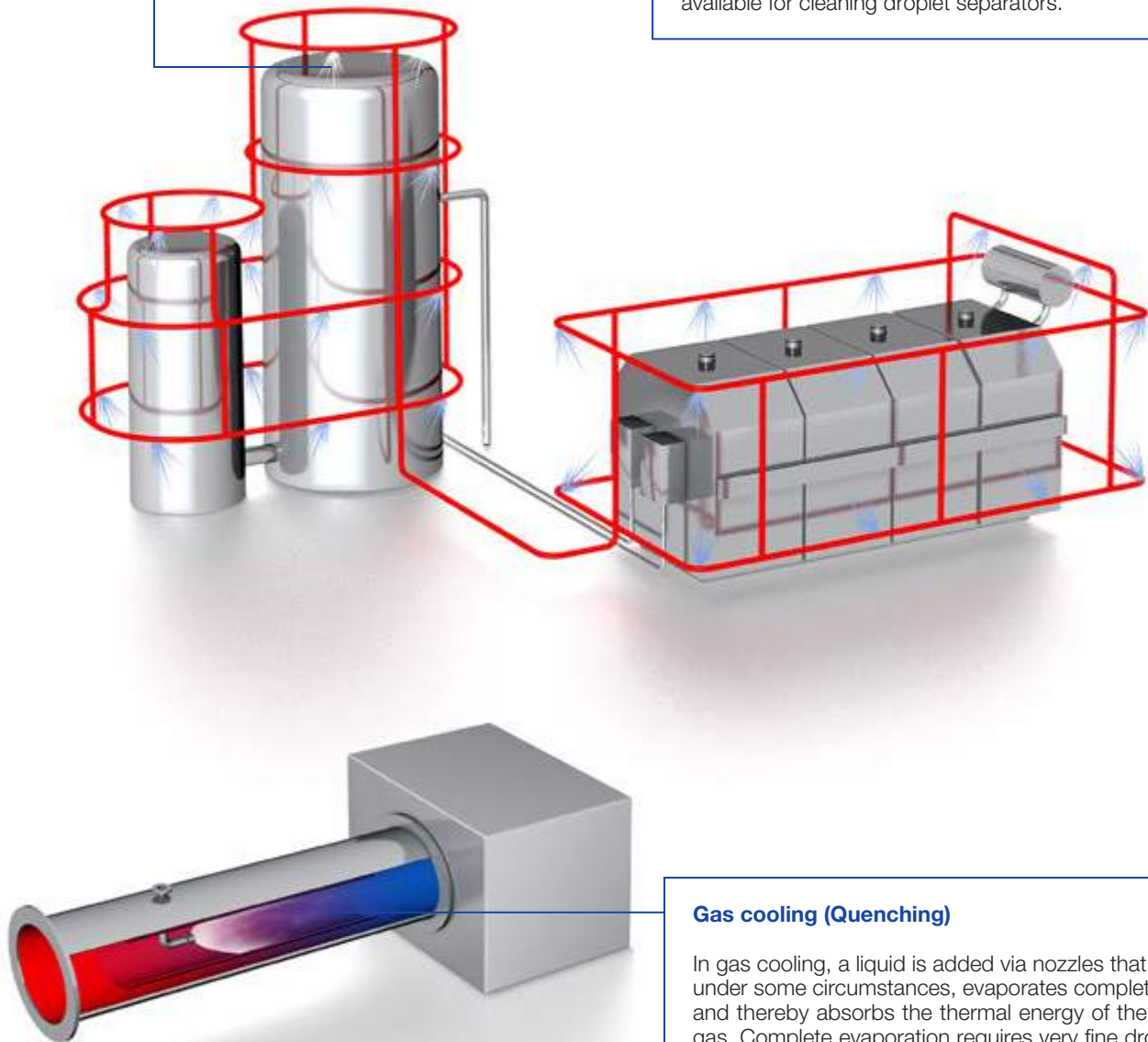
LECHLER NOZZLES AND ENGINEERED SOLUTIONS ARE USED IN MANY FIELDS IN THE CHEMICAL INDUSTRY

Tank sprinklers and fire protection

For cooling and sprinkling tanks and systems, it is extremely important to spray the entire object with water on all sides or to provide an even water film on the object. The narrowest cross section of the nozzles should be ≥ 6 mm (DIN 14495). **Tongue-type nozzles** and **full cone nozzles** are frequently used.

Droplet separators

Droplets can be carried along in the gas flow. Lechler **droplet separators** remove droplets from the gas flow in order to prevent down-stream measuring devices from being affected. Special **full cone nozzles** are available for cleaning droplet separators.



Gas cooling (Quenching)

In gas cooling, a liquid is added via nozzles that, under some circumstances, evaporates completely and thereby absorbs the thermal energy of the gas. Complete evaporation requires very fine droplets which can be produced with **hollow cone** or **twin-fluid nozzles**.

Absorption (Gas washing)

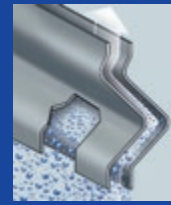
If the waste gas is to undergo absorption, Lechler **full cone**, **hollow cone**, or **cluster nozzles** are used. It is of crucial importance here to create a large specific reaction surface. The efficiency of the process can be decisively enhanced by making the right nozzle selection and having an optimum nozzle arrangement.

Material separation in centrifuges

Centrifuges are used to separate materials. **Full cone** and **flat fan nozzles** are used for this purpose to spray water on and wash out the material that is to be removed.

Examples engineered solutions

Droplet separators



- Arrest finest droplets (<math><10\mu\text{m}</math>)
- Little pressure loss
- For high flow rates

Nozzle lances and injectors



- Optimal spray placement
- Individual adapted
- Several options

Examples spray nozzle solutions

Full cone nozzles – series 490



- Non-clogging design
- Stable spray angle
- Particularly even spray distribution

Twin-fluid nozzles



- Very fine droplets
- Smallest flow rates
- Atomizing viscous liquids

LECHLER NOZZLES AND ENGINEERED SOLUTIONS ARE USED IN MANY FIELDS IN THE CHEMICAL INDUSTRY



Cleaning containers

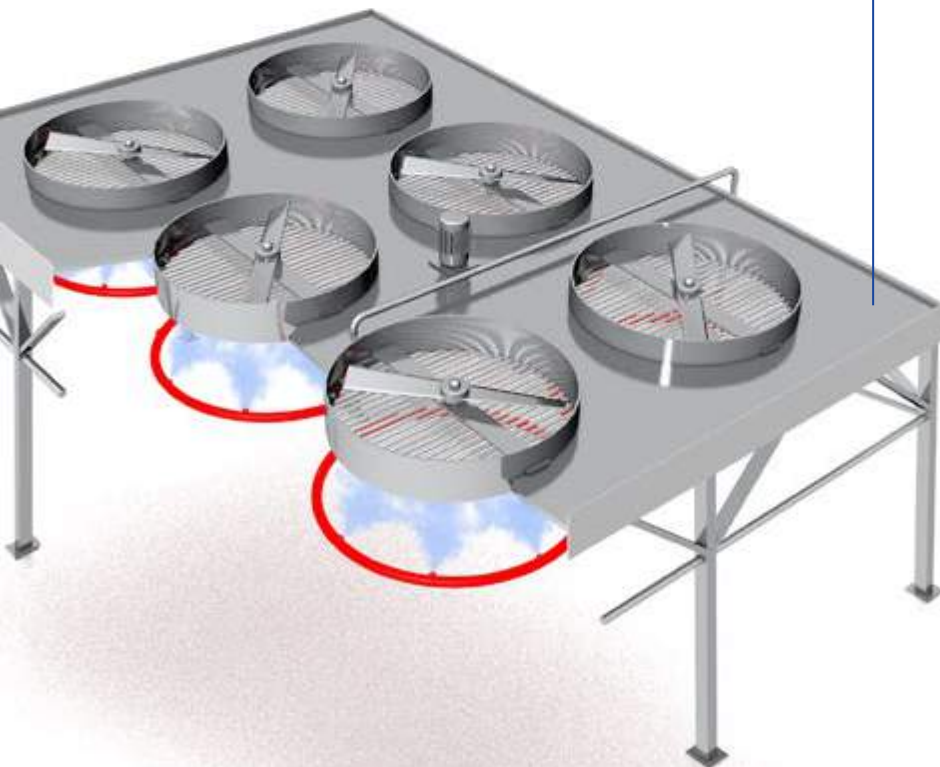
Optimum container cleaning requires targeted harmonization with the customized application. Lechler offers a wide range of **nozzles for tank and equipment cleaning** and will support you in finding the right arrangement.

System and large tank cleaning

High impact tank cleaning machines can be used in this application. These traverse a precisely defined path with **gear-controlled solid stream nozzles**. This gives them a great range. In smaller containers and systems, the precision jets can remove even persistent dirt.

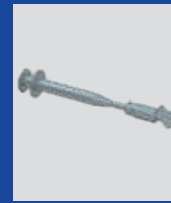
Nozzles for air cooling and humidification

The thermodynamic processes of evaporation are normally applied in air cooling and humidification. This requires fine droplets that are injected directly into the air flow by **hollow cone** or **cluster nozzles**. Producing the suitable droplet size and even distribution over the intake channel are particularly important here.



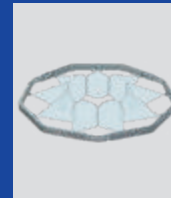
Examples engineered solutions

Tank lances



- Fully customized tank lance
- Different materials
- Different connection types

Spray headers



- Fully customized spray headers
- Different materials
- Twin-fluid nozzles possible

Examples spray nozzle solutions

High impact tank cleaning machine – series 5TA/5TB/5TM



- Powerful solid jets – highest impact
- For persistent soil
- Robust and proven construction

Free spinning tank cleaning nozzles – series 5W9



- Popular and proven design
- Cleaning with effective flat jets
- Various connection options

Cluster nozzles – series 502/503

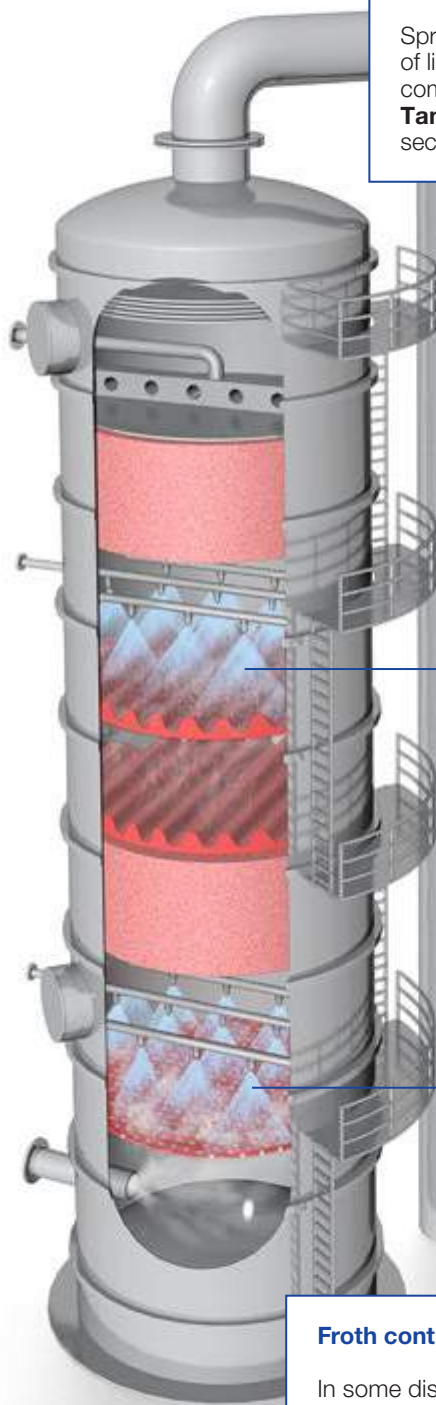


- Full cone like distribution
- Small droplets

LECHLER NOZZLES AND ENGINEERED SOLUTIONS ARE USED IN MANY FIELDS IN THE CHEMICAL INDUSTRY

Distillation/fractionation column

Spray nozzles are an essential item used in distillation of liquid mixtures for separating the mixture into its component parts or fractions, based on the volatilities. **Tangential full cone nozzles** provide large free cross sections and excellent spray distribution for this task.



Froth control

In some distillation processes, frothing can be a problem that occurs throughout. **Full cone nozzles** are used to control the foam because they provide full uniform spray coverage.

Steam condenser sprays

These types of heat exchangers convert steam from its gaseous state to a liquid state by using **full cone nozzles**. These nozzles provide good spray coverage for the large area with the greatest pump efficiency.

Venturi scrubber

Incoming gas is accelerated to a high velocity at the scrubber's throat where it comes into contact with the scrubbing liquid. The liquid is atomized into fine droplets with **hollow cone** or **full cone nozzles**, which entrap the particulate with high collection efficiency.

Examples engineered solutions

Nozzle lances and injectors



- Optimal spray placement
- Individual adapted
- Several options

Pump and control skid units



- High-quality components
- Tested quality
- Perfectly tailored solution

Examples spray nozzle solutions

Tangential full cone nozzles – series 422/423



- No swirl insert
- Non-clogging
- Stable spray angles

Full cone nozzles – series 403/405



- High flow rates
- Even spray distribution
- Big droplets

LECHLER NOZZLES AND ENGINEERED SOLUTIONS ARE USED IN MANY FIELDS IN THE CHEMICAL INDUSTRY

Evaporative gas cooling

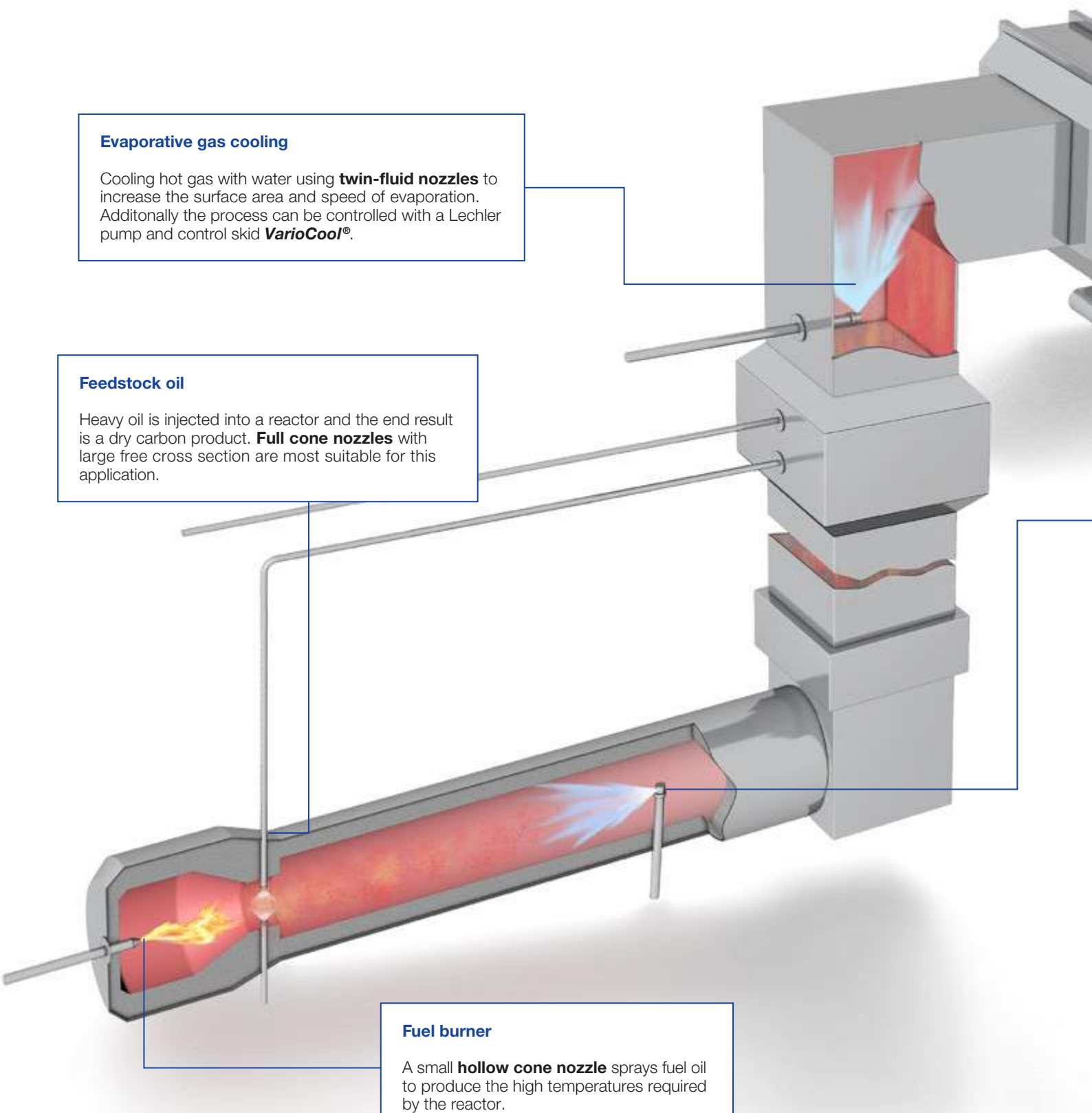
Cooling hot gas with water using **twin-fluid nozzles** to increase the surface area and speed of evaporation. Additionally the process can be controlled with a Lechler pump and control skid **VarioCool®**.

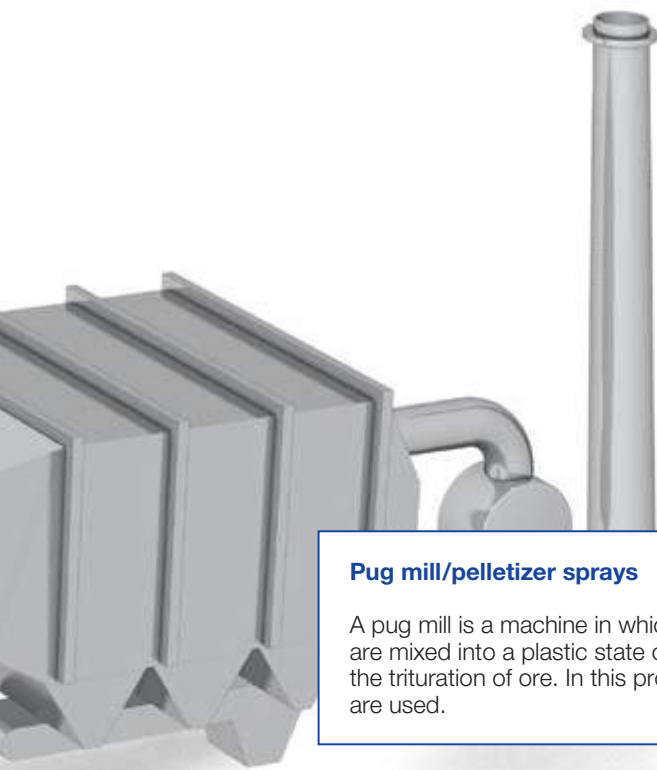
Feedstock oil

Heavy oil is injected into a reactor and the end result is a dry carbon product. **Full cone nozzles** with large free cross section are most suitable for this application.

Fuel burner

A small **hollow cone nozzle** sprays fuel oil to produce the high temperatures required by the reactor.





Pug mill/pelletizer sprays

A pug mill is a machine in which clay or other materials are mixed into a plastic state or a similar machine for the trituration of ore. In this process **full cone nozzles** are used.

Quenching water

It is key in many chemical processes to rapidly quench the temperatures to control product output. **Hollow cone nozzles** are used for quenching because they produce fine droplets.



Examples engineered solutions

Nozzle lances and injectors



- Optimal spray placement
- Individual adapted
- Several options

Pump and control skid units



- High-quality components
- Tested quality
- Perfectly tailored solution

Examples spray nozzle solutions

Hollow cone nozzles – series 214/216/218



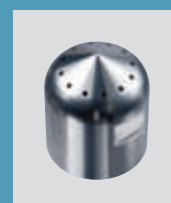
- Small droplets
- Low flow rates

Twin-fluid nozzles – series 170/180



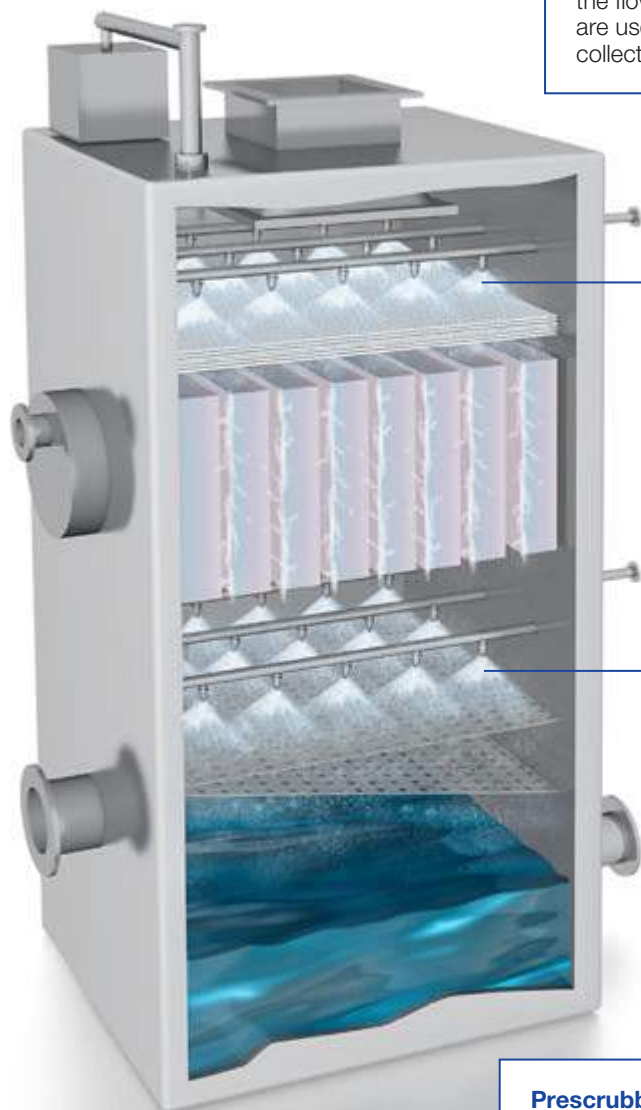
- Efficient atomization
- Extremely fine atomization
- Large free cross sections

Twin-fluid nozzles – VarioJet®



- Internal mixing
- Innovative design
- Very fine droplet spectrum

LECHLER NOZZLES AND ENGINEERED SOLUTIONS ARE USED IN MANY FIELDS IN THE CHEMICAL INDUSTRY



Particulate washing

An electrostatic precipitator (ESP) is a filtration device that removes fine particles from a flowing gas using the force of electrostatic charge minimally impeding the flow of gases through the unit. **Full cone nozzles** are used to wash the collected particulate from the collecting tube or plate.

Prescrubbing and gas cooling

At the bottom of the wet ESP, above the gas distribution plates **hollow cone** and **full cone nozzles** are used in the vessel for pre-cleaning, gas cooling, scrubbing and particulate removal.

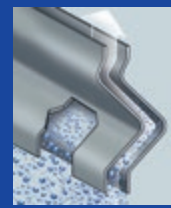


Water washing of salts

These injectors use **full nozzles**, which are used to scrub salt-forming contaminants from preflash and atmospheric tower overhead systems before they react and cause corrosion.

Examples engineered solutions

Droplet separators



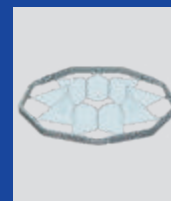
- Arrest finest droplets (<math><10\ \mu\text{m}</math>)
- Little pressure loss
- For high flow rates

Nozzle lances and injectors



- Optimal spray placement
- Individual adapted
- Several options

Spray headers



- Fully customized spray headers
- Different materials
- Twin-fluid nozzles possible

Examples spray nozzle solutions

Full cone nozzles – series 490



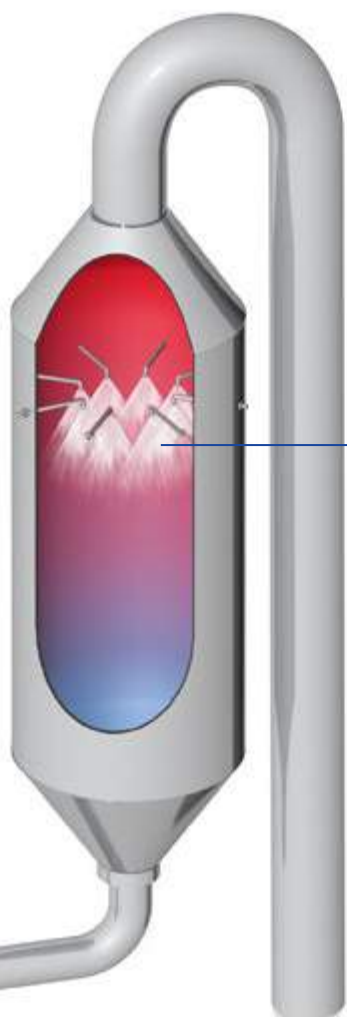
- Non-clogging design
- Stable spray angle
- Particularly even spray distribution

Hollow cone nozzles – series 214/216/218



- Small droplets
- Low flow rates

LECHLER NOZZLES AND ENGINEERED SOLUTIONS ARE USED IN MANY FIELDS IN THE CHEMICAL INDUSTRY

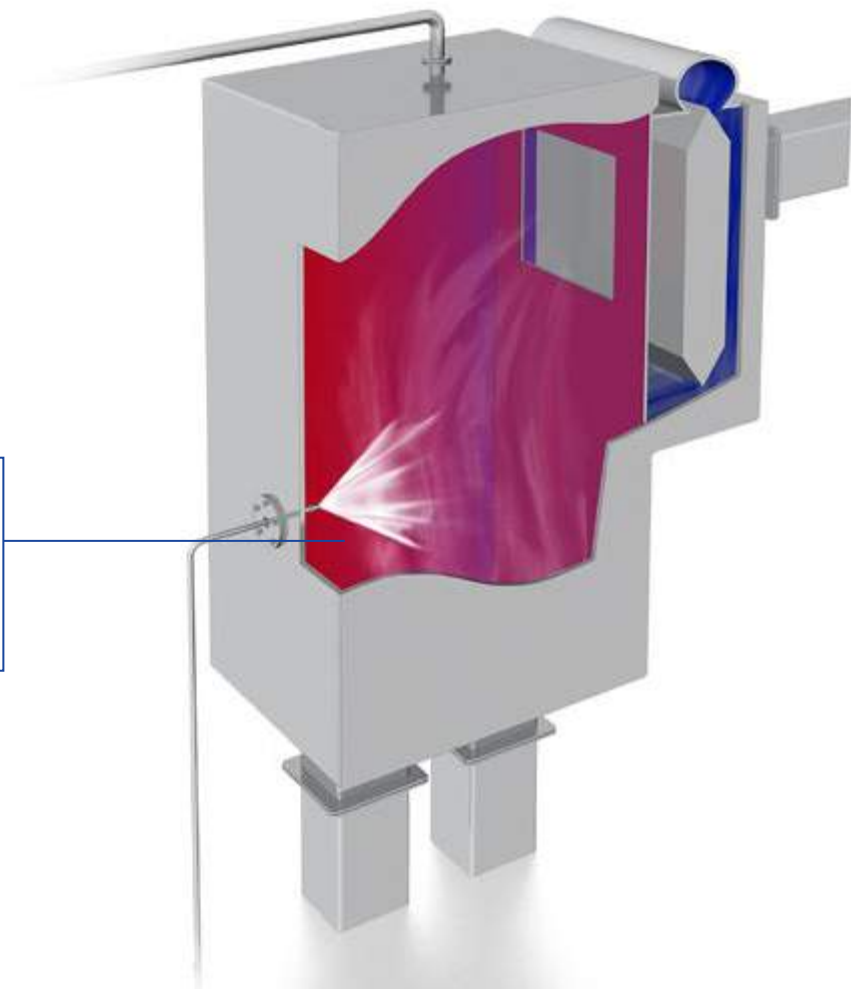


Gas cooling tower

Precise cooling and conditioning of hot flue gases create stable outlet conditions for the safe and efficient operation of downstream plant components. Lechler is offering a wide range of **engineered solutions** to control the outlet conditions of a gas cooling tower.

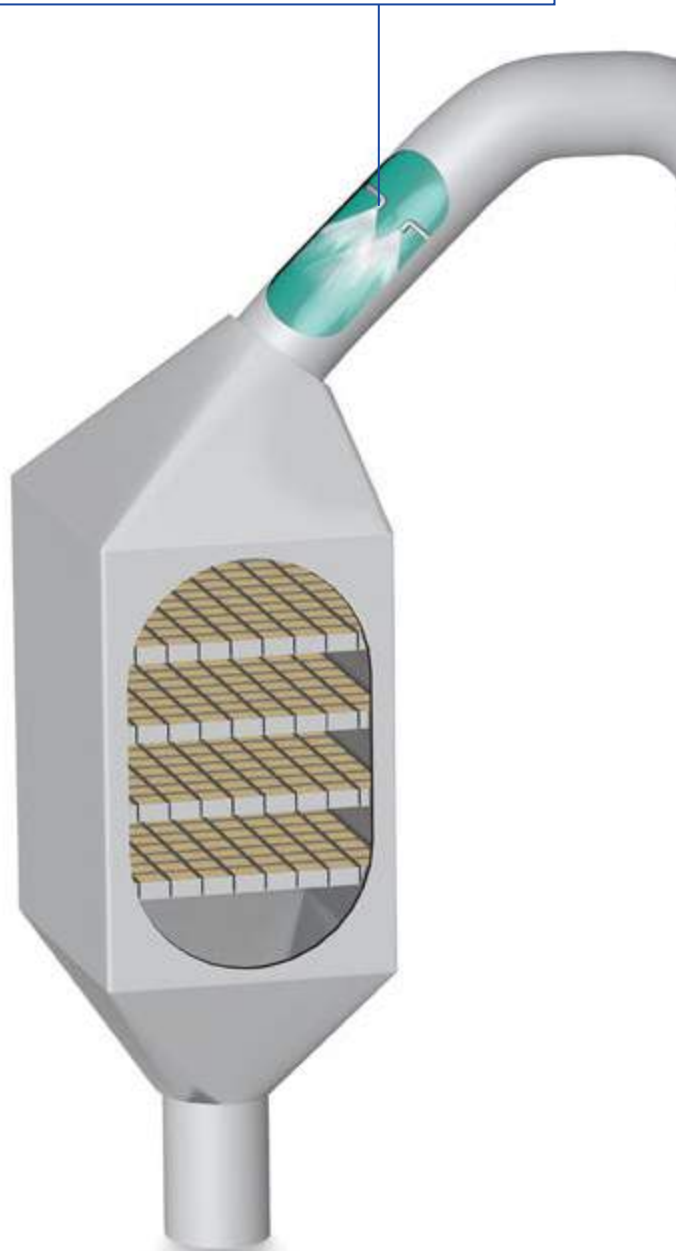
SNCR NO_x reduction

The selective non-catalytic reduction (SNCR) is an industrial technique for NO_x reduction. **Twin-fluid or flat fan nozzle lances** spray fine droplets of urea or aqueous ammonia directly into a furnace.



NOx reduction with SCR

With the selective catalytic reaction (SCR), achieving a high separation efficiency is possible only with the aid of a catalyst. Such a solution requires special precautions to keep the efficiency high and catalyst waste low. The reagent is added immediately before the catalyst using **twin-fluid nozzle lances** in a temperature window appropriate to the reaction.



Examples engineered solutions

Nozzle lances and injectors



- Optimal spray placement
- Individual adapted
- Many options

Pump and control skid units



- High-quality components
- Tested quality
- Perfectly tailored solution

Examples spray nozzle solutions

Spillback nozzles



- Fine hollow cone atomization
- Constant pressure
- No compressed air

Twin-fluid nozzles – Laval

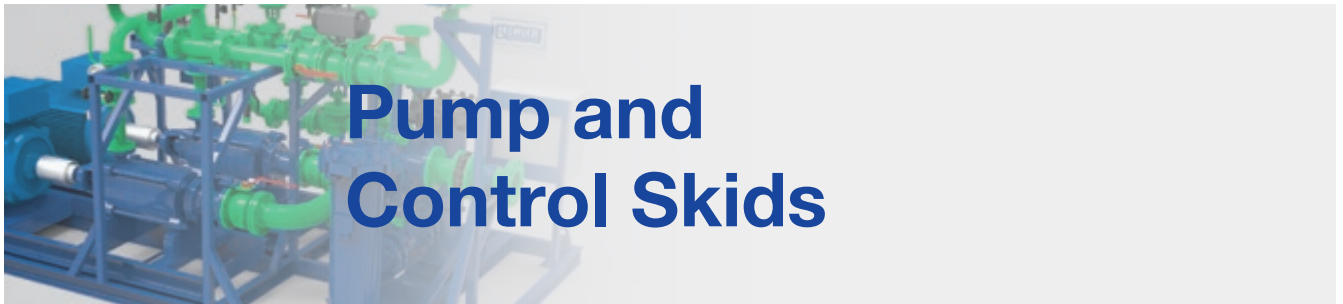


- Fine full cone atomization
- Droplet size and spectrum can be adapted
- For high temperatures



ENGINEERED SOLUTIONS FOR PROCESS SOLUTIONS: SOPHISTICATED SOLUTIONS FOR ADVANCED APPLICATIONS

If you are breaking new ground there is no standard solution available. But that's no problem. With our decade-long experience we are able to develop customized nozzles, spray systems and droplet separators on short hand. Let's talk and find your perfect solution.



NOZZLE LANCES AND INJECTORS FOR HIGHEST SPRAY ACCURACY

Design features

Connection accessories

- Quick release coupling
- Conical screw connection
- According to customer requirements

Protection features

- No protection features
- With protection tube and cap
- According to customer requirements

Nozzle arrangement

- Single nozzle
- Cluster head

Flange connections

- Wedge
- Standard flange e.g. DIN, ANSI etc.
- According to customer requirements

Multi nozzle lances

- Number of nozzles according to customer requirements

Lechler nozzle lances ensure optimal spray placement and alignment in flue gas ducts. The choice of nozzles and the consideration of local conditions and process-related matters mean they can be individually adapted to the respective requirements.

The nozzles themselves have a low-maintenance design and can be quickly cleaned or exchanged with minimal effort.

The robust, high-quality stainless steel construction ensures a high degree of functional reliability. Lances are available

in a variety of materials to suit specific process requirements.

Lechler nozzle lances are available with many options, including but not limited to:

- Protection tube to increase the service life in case of higher temperatures, high dust loads and aggressive gases, with barrier air as an option.
- Wedge flange, standard flange and special flange in accordance with customer requirements
- Guide rail to facilitate lance installation

- Shifting device to change the insertion length – with or without gastight sealing
- Expansion joint or stuffing box for expansion compensation at high temperatures
- Assembly connecting piece with flange connector for welding onto flue gas duct
- Further special customizations including wear protection, insulation, water cooling or coating
- Pre-assembled accessory kits for process media connections (e.g. quick release couplings, shut-off ball valves, strainers)

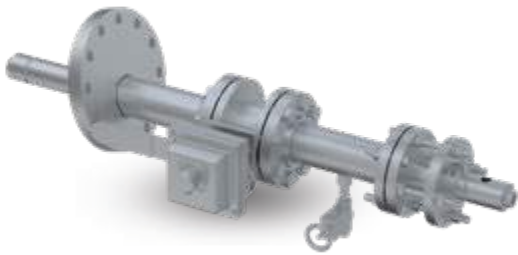
Lechler nozzle lances are manufactured in line with ultramodern production processes and according to the state of the art.

Material

Lances are manufactured from stainless steel (316/316L) as standard, but depending on requirements can also be made of alternative materials.

Accessories are available in galvanized steel or stainless steel and the hoses are available in rubber or stainless steel.

Meeting customer requirements



Catalyst retractable lance



Neutralizer retractable lance



Liquid injection sparger



Water wash injector



Water wash injector



Chemical injection quill

Mounting example



Nozzle lances and injectors

Taylor made solutions

Lance injector type

Hydraulic

Twin-fluid air/liquid

Steam

Material and test requirements and standards

Material Selection

- Stainless Steel 316L
- Alloy 22
- PP, PVC
- And many more

Code Compliance

- ASME B31.1 Power Piping code
- Metallic industrial piping: DIN EN 13480
- Unfired pressure vessels: DIN EN 13445
- ASME B31.3 Process Piping code
- Welder Performance Qualification Records per ASME BPVC section IX
- Qualification test of welders: DIN EN 287

Testing

- ANSI and ASTM testing
- Non-destructive testing – Penetrant testing: DIN EN ISO 3452
- Hardness
- Hydrostatic pressure test: Pressure Equipment Directive 2014/68/EU, DIN EN 13480-5 and DIN EN 13445-5
- Spray and flow testing
- Phase Doppler Anemometry (PDA) measurement system
- Magnetic particle inspection: DIN EN ISO 17638
- Positive Material Identification

Connection type and features

Flange connections

- Wedge
- Standard flange e.g. DIN, ANSI etc.
- Special flange according to customer specification

Additional features

- Shifting device to change the insertion length – with or without gastight sealing
- Expansion joint or stuffing box for expansion compensation at high temperatures
- Pre-assembled accessory kits for process media connections (e.g. quick release couplings, shut-off ball valves, strainers)
- Further special customizations including wear protection, insulation, water cooling or coating
- Assembly connecting piece with flange connector for welding onto flue gas duct
- Guide rail to facilitate lance installation

Injector/lance arrangement

Nozzle type

According to customer requirements

- Spray direction
- Insertion length
- Single nozzle
- Multi-nozzle arrangement
- Cluster head design

Nozzle type selection

- Hydraulic nozzles
- Twin-fluid nozzles
- Spillback nozzles



Spargers and Quills

- According to customer requirements



PUMP AND CONTROL SKIDS A PERFECTLY TAILORED SOLUTION

Our pump and control skid units for regulating the flow rates of water and atomizing air are individual customer-specific solutions. Based on the requirements in each case, our first step is to design an overall concept and select the best components in order to create a perfectly tailored solution.

First-class engineering

To perform our engineering, we determine all relevant parameters and define the plant's design. This includes determining the nominal widths and pressure levels as well as designing the pumps and control valves. We draw up the P&I diagram and make detailed equipment and signal lists as an option. Of course, the project is fully documented to ensure that technology and processes can be quickly traced even after years of use.

High-quality components

An exact knowledge of the characteristic properties of our nozzles is key here. Only a complete system that is coordinated to how the nozzles function and operate will ensure smooth and economical operation of the gas cooling system. Unexpected failures can quickly lead to plant stoppages and costly production outages. This is why we fit our pump and control skid units with high-quality components from well-known manufacturers as standard and the most important functional components are even realized in redundant design.

The components are interconnected with pipes and mounted on a stable base frame with eyelets for crane transportation, at the same time ensuring that all components for operation and maintenance are arranged in an easily accessible manner.

Tested quality

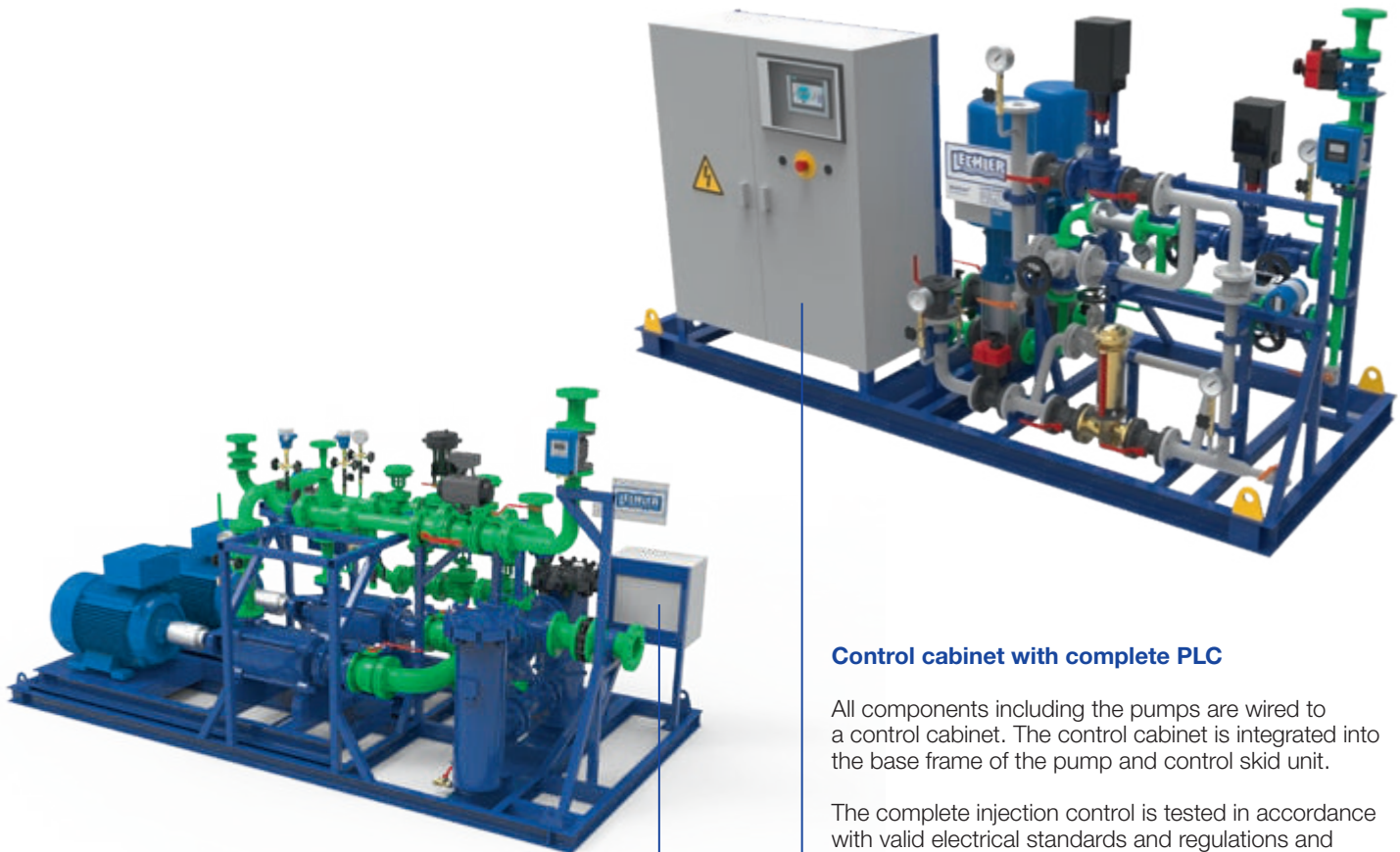
The design (e.g. dimensioning of nominal widths) and production are in line with the latest state of the art and comply with all relevant standards. They are equally subject to the Lechler quality management system certified to DIN EN ISO 9001, as is the final acceptance. Before delivery, the pump and control skid unit undergoes a pressure and tightness test and is checked by our experienced engineers. This will avoid any problems during commissioning.

Control concept from the nozzle specialist

Numerous installations of *VarioCool*[®] systems, years of commissioning experience, plus expertise in nozzle technology all contribute to the constant improvement and optimization of Lechler control systems. By installing a control solution from Lechler you will benefit considerably from this wealth of experience. The flexible and fully automatic concept can be perfectly adapted to your process. You will have start-up and shut-down scenarios and dynamic process conditions under perfect control with our solution.

Option packages for our VarioCool® pump and control skid

Electrical wiring of the components:



Junction box

All components except the pump motors are wired to a junction box within the pump and control skid unit.

This assures that the customer has a central connection point for all electrical components and measuring devices for further processing in the higher-level control.

Control cabinet with complete PLC

All components including the pumps are wired to a control cabinet. The control cabinet is integrated into the base frame of the pump and control skid unit.

The complete injection control is tested in accordance with valid electrical standards and regulations and allows all relevant process parameters to be visualized over a control panel on the control cabinet.

Specific configuration and extensive testing make commissioning much faster. Communication and the exchange of signals (setpoint, plant status, error messages) with the customer's logic system is carried out via PROFIBUS or PROFINET.

The control has several modes of operation such as automatic mode and manual mode for tests during plant downtimes. In the event of faults, our engineers can quickly perform a remote diagnosis via the installed modem without the need for an on-site visit.



Talk to us

Customer requirements are different. Which is why standard solutions do not always make sense. Speak with us and let us work together to find the best solution for your purposes.

DROPLET SEPARATORS WHEN PERFORMANCE COUNTS

Droplet separators have played a vital role in many process operations and gas washing plants as functional elements that protect downstream installation parts, increase product yield or reduce energy consumption. They are now becoming even more important due to increasingly stringent environmental protection regulations that require a drastic reduction in the residual pollutant content.

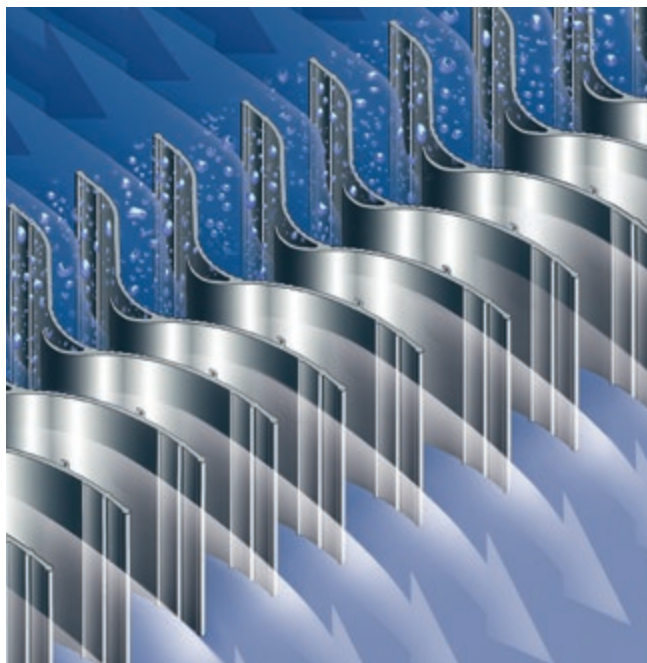
This makes it necessary to use high-performance droplet separators which are capable of separating even the finest droplets with a size of less than 10 microns, while at the same time minimizing pressure losses. This task requires effective separation systems with compact dimensions that can deal with high flow rates.

When designing and planning droplet separators, it is necessary to have precise knowledge of the functional and performance data of the separation system, as well as an in-depth process understanding of the respective application.

Knowledge about droplet formation and droplet movement in a gas flow is essential to ensure fault-free operation of the droplet separator. For more than 100 years, we have worked on detection, measurement and definition of droplets. It is therefore not a coincidence that Lechler nozzles and Lechler droplet separators are now considered integral elements in process engineering.

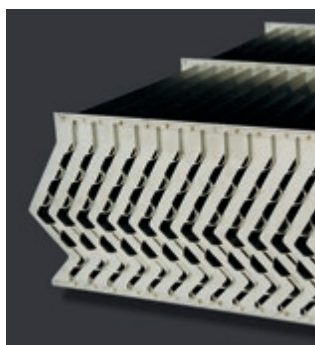
Each installation requires a specific droplet separator design and construction. Design, construction and selection of the optimum Lechler droplet separators are based fully on your requirements, specifications and drawings. That is why we do not offer standard solutions, but customize systems individually for your specific needs.

In order to guarantee accurate operation, materials must be used that are matched to the relevant variables of the installation in question. For this reason, Lechler offers a wide range of different materials – from stock.



The available materials include:

- Stainless steels in the grades 304 SS, 316L SS, 316Ti SS, 318LN SS, 904L SS, 254SMO SS as well as special alloys such as Alloy 22
- Plastics such as PP, PPTV, PE, PVDF

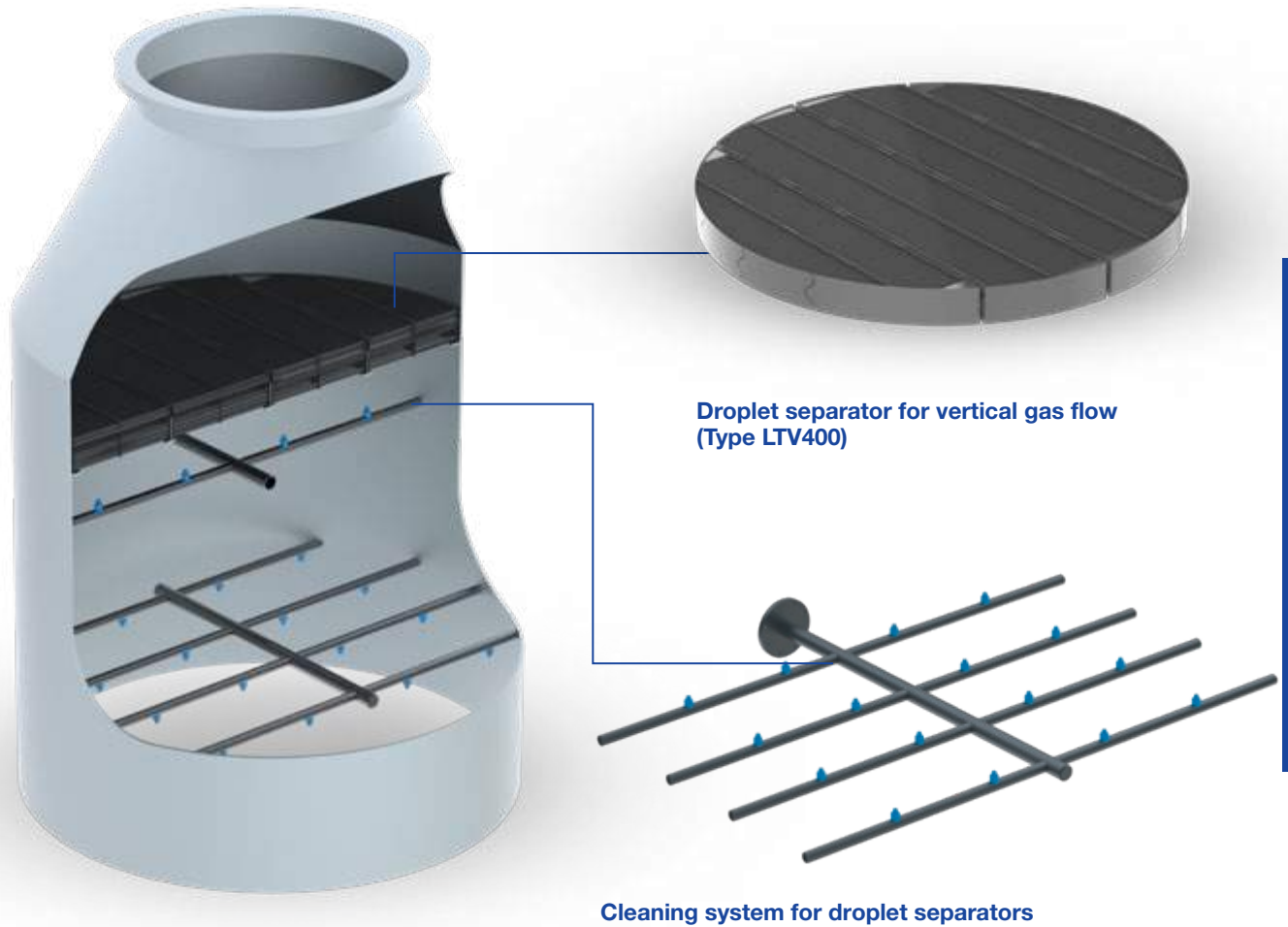


Talk to us

Do you know your process but are not sure which droplet separator is best suited for your purposes? No problem. Based on your individual requirements, we will choose from a finely graded range of vane profiles with single or multiple deflection.

Lechler GmbH
Droplet Separator Division
Charlottenburger Allee 7
52068 Aachen/Germany
Phone: +49 241-463751-40
E-Mail: dropletseparator@lechler.de

Droplet separators for vertical gas flow



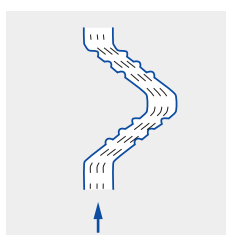
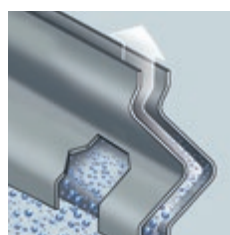
Droplet separator for vertical gas flow
(Type LTV400)

Cleaning system for droplet separators

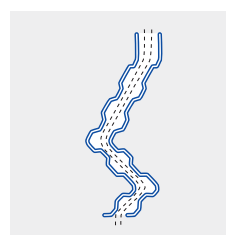
In **vane-type separators with vertical gas flow, the baffle vanes are** arranged horizontally or at a slight horizontal angle. The liquid that is separated at the profile forms a film which drains downwards in the opposite direction to the gas flow. This liquid film interacts with the opposing gas flow. At the bottom end, larger droplets are formed from the liquid film which then fall down.

Reliable operation – even under tough conditions

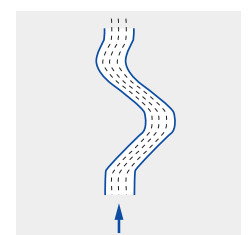
Lechler droplet separators are characterized by the optimized-flow design. However, if the gas flows are heavily loaded with dust, deposits can occur under unfavorable conditions which impair the efficiency of the droplet separators. In this case, an additional cleaning system helps to guarantee availability during continuous operation. An arrangement that performs cyclical washing of the droplet separators with full-cone nozzles has proven particularly suitable for this. This allows you to increase functional reliability, avoid encrustations and also ensure that your plant operates with optimum efficiency over long periods.



Profile Geometry LTV 271

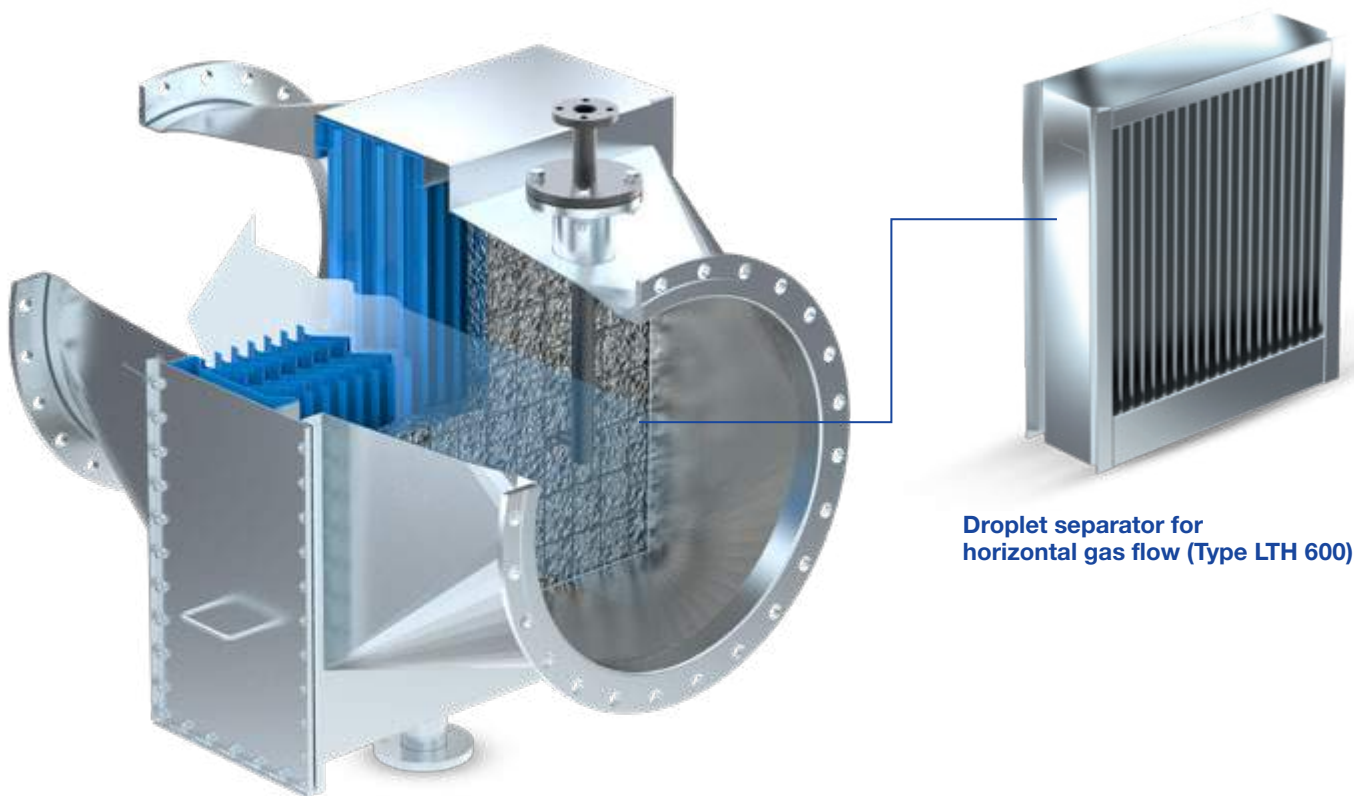


Profile Geometry LTV 300



Profile Geometry LTV 400

Droplet separators for horizontal gas flow



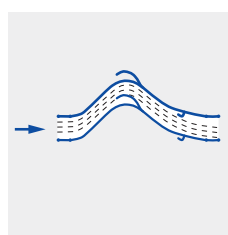
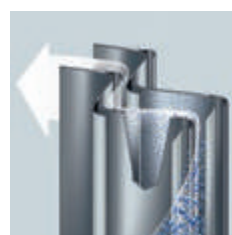
Droplet separator for horizontal gas flow (Type LTH 600)

Housing with droplet separator for horizontal gas flow (Type LTH 600) and agglomerator

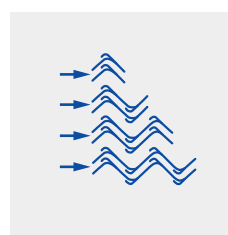
Vane-type separators for horizontal gas flow use different design features for secondary separation than vertical systems. In vane-type separators for horizontal gas flow, the separation vanes are arranged vertically to the gas flow so that the liquid runs down the

baffles due to gravity. The creation of flow-calmed zones allows the liquid film to specifically drain in these areas without renewed contact with the gas flow. The fact that liquid run-off is assisted by the forces of gravity results in high-performance separation systems. Depending on the

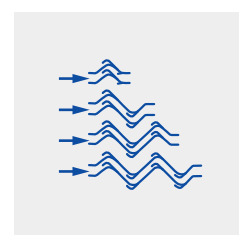
separator design, particularly high flow rates are possible. The flow-optimized shape of the baffle vanes minimizes pressure losses. Based on your individual requirements, it is possible to choose from a finely-graded range of vane profiles with single or multiple deflection.



Profile geometry LTH 100



Profile geometry LTH 500



Profile geometry LTH 600

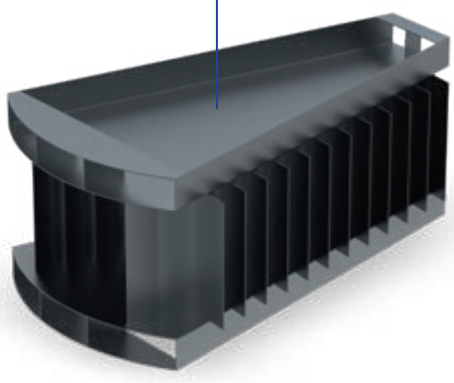
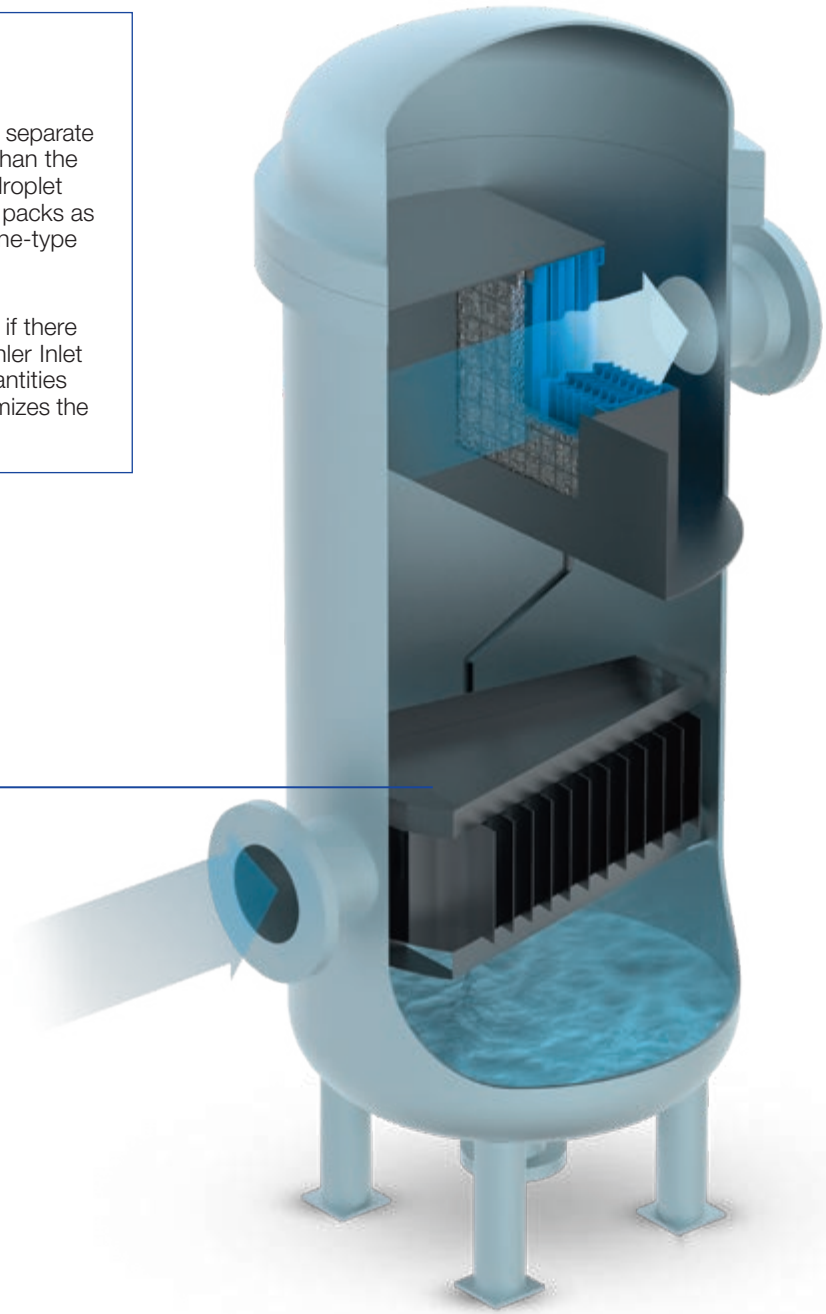
Extreme droplet separation

Finest droplets

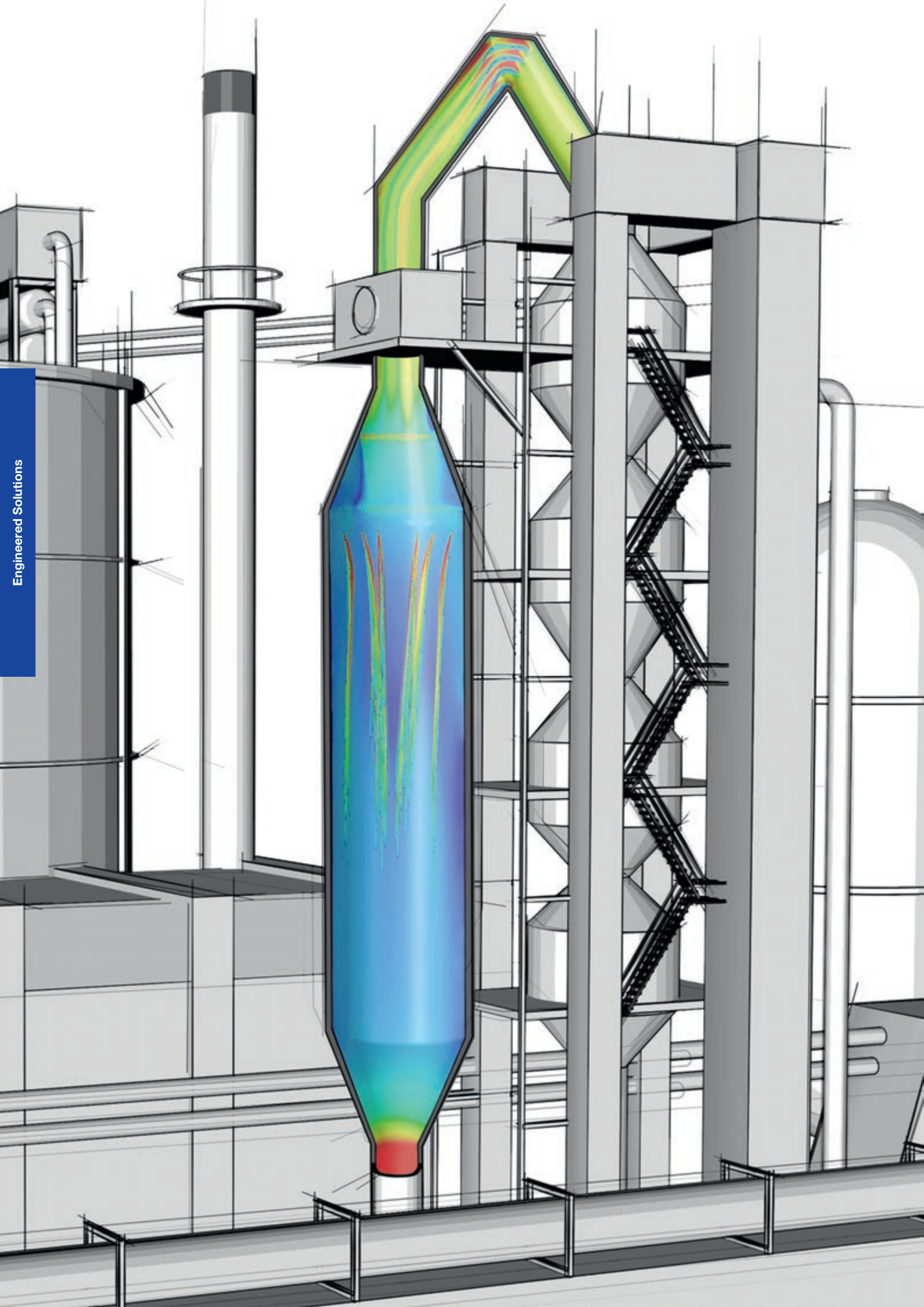
In some applications, it is necessary to separate droplets that are significantly smaller than the limit droplet diameter of a vane-type droplet separator. In these cases, we use fiber packs as agglomerators in combination with vane-type separators.

Large liquid volumes

Optimum pre-separation is necessary if there are liquid surges in the inlet. The Lechler Inlet Device (LID) separates large liquid quantities with maximum efficiency and thus optimizes the flow of the rising gas.



Pressure tank with an inlet device for separation of surge liquids



CFD ANALYSIS

Fluid Dynamics simulation as a process optimization tool

For us, perfection is not just a promise, but is based on calculation of computational Fluid Dynamics (CFD).

No matter what the spray application may be, the goal is always to achieve the maximum effect with the minimum possible use of material, spray media and energy. It is therefore essential to have

a detailed understanding of how spray mist is formed and propagated.

This is made possible by computer-assisted simulation of the flow processes of one or more media in static and dynamic environments, taking into account heat and mass transfer and almost every physical effect. These simula-

tions incorporate our know-how from many decades of nozzle development.

Formerly mainly used as an internal R&D tool, we are now able to offer this know-how – paired with our high-performance computer – as an integrated service.

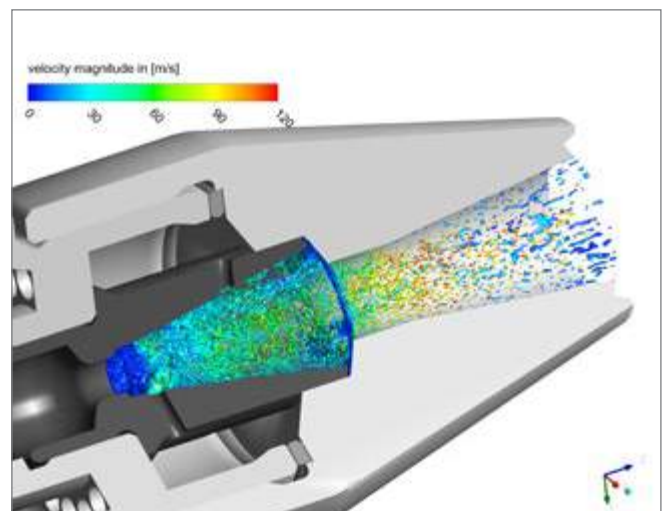
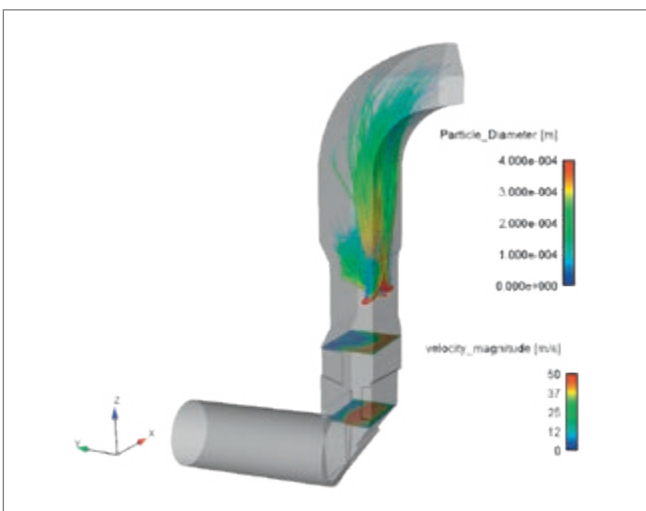
We can simulate nozzle applications and processes individually for your environment and requirements. The aim is to make your spray processes working exactly how you want them to.

Our services:

- Simple flow field and pressure loss simulations with one or more gas/liquid in containers, pipes and fittings
- Full spray propagation in almost every environment including heat and mass transfer with the surrounding gases
- Calculation of the internal flow field in nozzles and prediction of the spray pattern as well as water distribution and spray characteristic close to the nozzle

Your advantages:

- Maximum efficiency in
 - media consumption for nozzles and applications
 - geometric dimensions of the whole process
- Through optimized
 - nozzle selection
 - nozzle operation (for efficient use of pumps, compressors and fans)
 - spray distribution
 - droplet sizes
 - optimized fluid flow upstream and downstream of the spraying process





MEASURING TECHNOLOGY HOW OUR RESOURCES HELP US ACHIEVE PRECISION

The basis for precision nozzle development

At Lechler, exact measurements have long been the basis for clearly defined spray characteristics. The data obtained in our laboratories form the foundation for any development and make it easier for our customers to choose nozzles for specific applications. This saves time, lowers costs and provides planning security.

Advanced technology

We have further expanded our research capacities by opening our own Development and Technology Center.

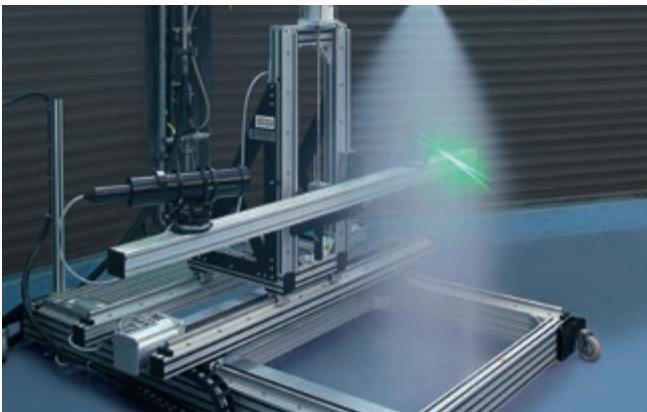
A highlight here is a laser-assisted phase doppler anemometer. As one of the most modern optical measuring procedures, it measures the velocity and the diameter of spherical droplets simultaneously and without contact. Using the data obtained, spectra can be reliably derived for particle size distributions and velocities.

Measurements range from tiny water droplets in the micrometer region to very large droplets of around 8 millimeters. These are performed with a high temporal and spatial resolution.

Individual positions in the spray can be automatically approached and measured with extremely high accuracy – in x, y and z directions.

International cooperation

We at Lechler value the importance of international cooperation. For this is often what opens up new perspectives on a problem. In addition, cooperation offers us the possibility of testing nozzles in very special test environments and of discovering new use scenarios in this way.

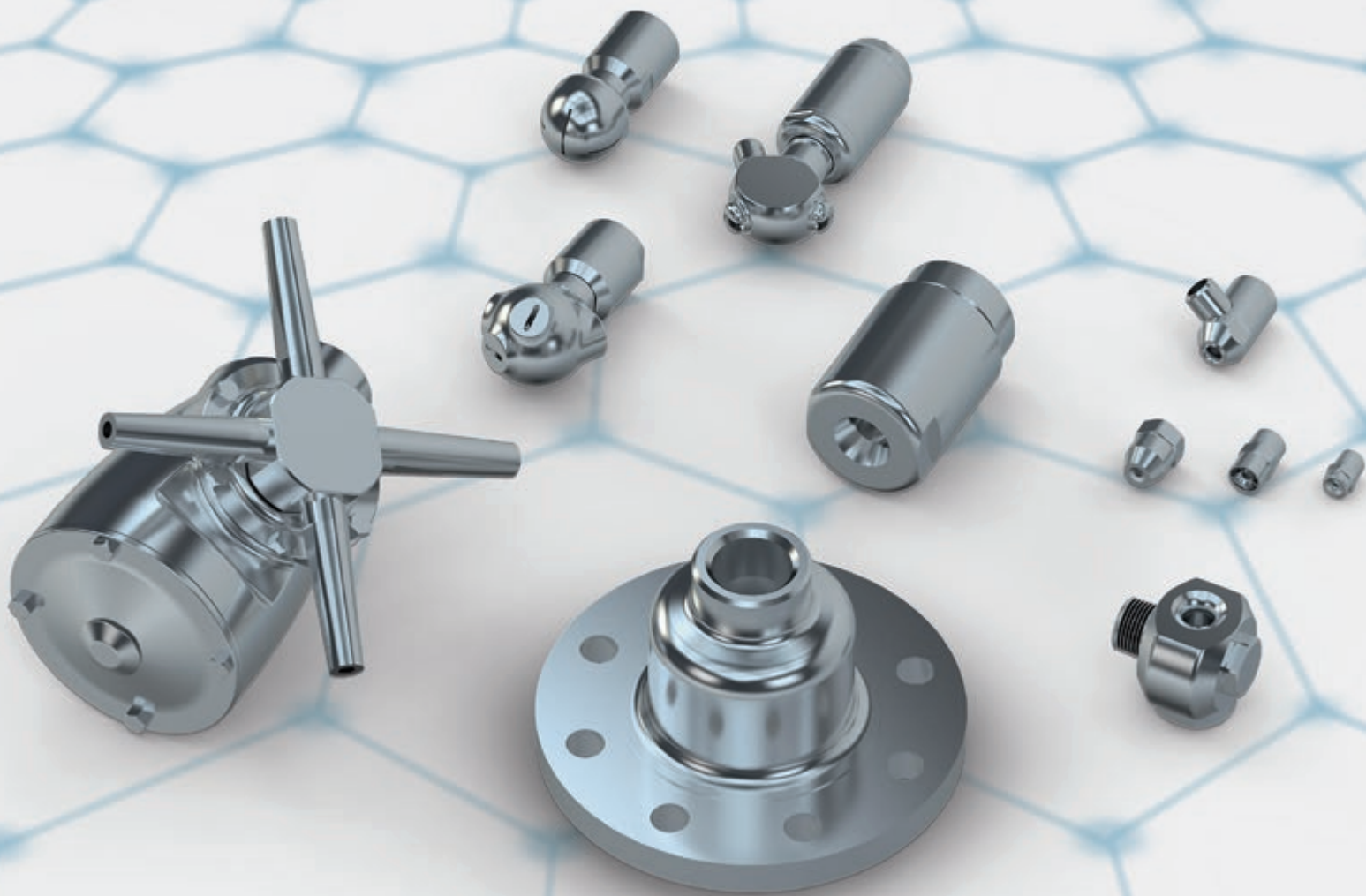


Our unique selling point: Practice-based knowledge

Since it was founded, Lechler has stood out for its development of new technologies. In more than a century we have successfully filed a large number of patents. Starting with the “Centrifugal Sprayer” from 1893 and going up to state-of-the-art technologies of the 21st Century. We will continue this proud tradition into the future, and our new technical center will be key to doing so. After seven years of construction, the Lechler Development and Technology Center was opened in the summer of 2016. Since then it has offered everything nozzle developers dream of on a surface of over 600 m². In addition to extensive measuring facilities, state-of-the-art test benches with a wide range of pump performances are available to measure and investigate sprays, from microfine mist to fuller sprays with varying jetting characteristics.

PRECISION NOZZLES: UTMOST ACCURACY AND WIDE PRODUCT RANGE

In the chemical industry there are innumerable applications that require the atomization of liquids of all kinds in different ways. The combination of all these parameters leads to thousands of different nozzles. At Lechler, we have them all. In this brochure, we present you with a selection of our most common nozzles used in chemical applications. If for some reason, you cannot find what you are looking for, please contact our experts to help you with finding the right nozzle for your application.



Spillback nozzles

Atomization without compressed air

Lechler spillback nozzles atomize liquids as a fine hollow cone.

This single-fluid nozzle works according to the pressure atomization principle. The water is sent to the nozzle with an almost constant feed pressure, irrespectively of the atomized flow rate.

The amount injected is steplessly controlled via a valve in the spillback line, whereby part of the flow is taken from the inlet flow rate and carried back to the tank. The maximum atomized flow rate is achieved with the control valve closed.

Uniform and fine liquid atomization is achieved across the entire control range.

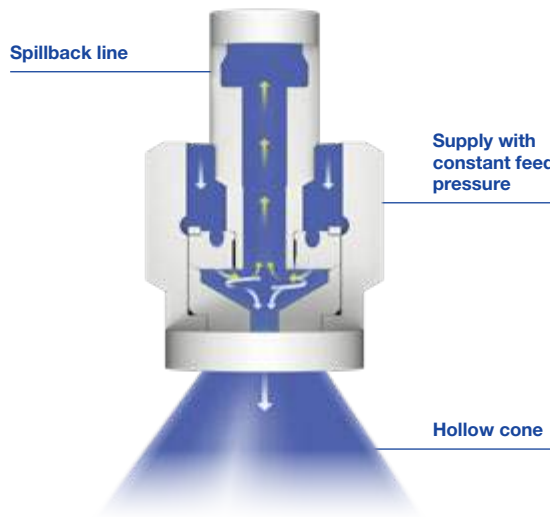
If the volume to be atomized is distributed over cluster heads with up to six small spillback nozzles, this leads to an improvement in the droplet quality compared to a single nozzle.

Thanks to the cluster heads' total spray angle of about 120°, the distribution of the water volume over the entire channel cross-section improves. The number of lances can be reduced in this way. We also recommend this option when upgrading existing gas cooling towers in particular.



Spray pattern of a single spillback nozzle

Spray pattern of a cluster spillback nozzle lance



Scheme of the spillback nozzle

Use:

- Gas cooling in medium-sized and large gas cooling towers

Properties



Spray angle of the individual nozzles
90° or 60°
as hollow cone



Low operating costs
as no atomizing air required



Execution
as single or cluster nozzle lances possible



High turn-down ratio
of up to 12:1



Even and fine liquid atomization
over the entire control range



Typical pressure range
of 35 bar, g in the supply line at the nozzle

VarioJet® nozzles

Twin-fluid nozzles with low air consumption despite large outlet angle

Lechler VarioJet® nozzles

atomize according to the principle of internal mixing. With this twin-fluid nozzle, the water is fed in axially via a bore hole.

After arriving at the cone tip, the liquid is split up into a thin liquid film. This thin liquid film is split into finest droplets by the atomizing air in the mixing chamber. The resulting two-phase mixture is then atomized a second time when exiting via several bore holes arranged in a circular pattern.

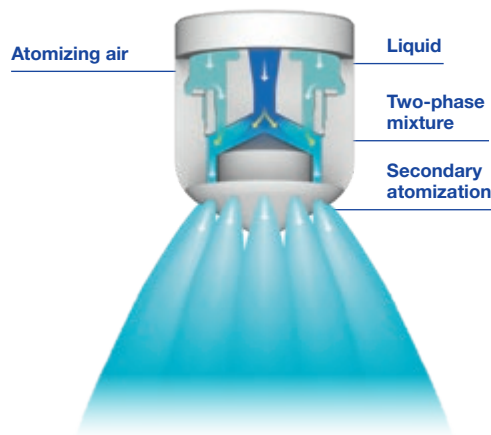
Thanks to the innovative design of the nozzle, a spray with a large outlet angle is achieved. This is characterized by an even liquid distribution as well as a fine droplet spectrum with a low specific air consumption.

The fineness of the droplet spectrum is decisively influenced by the air/liquid ratio and by the pressure level of the two fluids. As a general rule: the higher the air/liquid ratio and the higher the pressure level of atomizing air and liquid is, the finer the droplet spectrum.

The large free cross-sections in the nozzle keep the risk of clogging and the maintenance effort to a minimum.



Spray pattern of the VarioJet® nozzle



Scheme of the VarioJet® nozzle

Use:
 ■ Gas cooling in gas cooling towers as well as gas-bearing pipes (ducts)

Properties



Large spray angle
 60°, 90° for good coverage of the cross-section of the duct



Adjustment of the droplet spectrum
 by changing the air/fluid ratio



Clog-resistant
 thanks to large free cross-sections without internal fittings



High turn-down ratio
 up to 20:1



Low air consumption



Typical pressure range
 Liquid 1-9 bar, g
 Atomizing air 1-6 bar, g

Laval nozzles

Twin-fluid nozzles for a wide droplet spectrum in special applications

Lechler Laval nozzles

atomize liquids as a fine full cone. These twin-fluid nozzles work according to the supersonic principle.

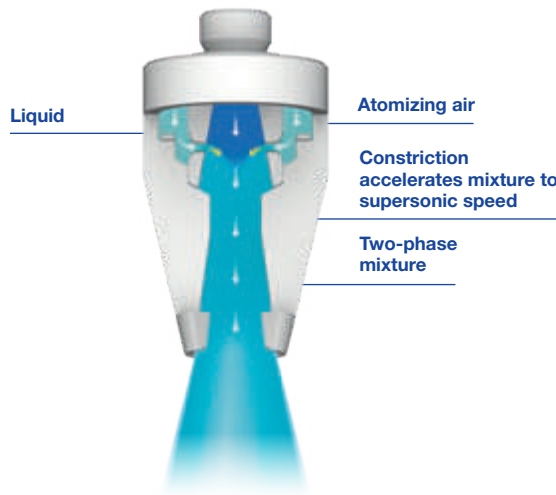
A dual-phase mixture is created from atomizing air and liquid in the mixing chamber inside the nozzle. The shape of the nozzle causes this mixture to be accelerated to supersonic speed, resulting in an extremely fine atomization of the droplets.

By changing the air/liquid ratio, the droplet size and the droplet spectrum can be adapted within a wide range. The large free cross sections of the nozzle also allow atomization of viscous or solids-laden liquids.

Choosing the right material prevents wear even where abrasive media are present, and enables use at high temperatures.



Spray pattern of the Laval nozzle



Scheme of the Laval nozzle

Use:

- Gas cooling in gas-bearing pipes (ducts) and medium-sized and small gas cooling towers
- Injection of solids-laden water
- Introduction of lime water in the desulfurization process
- Injection of aqueous ammonia or urea solution for the DeNOx process (SNCR/SCR)
- Chemical process engineering (spray dryers etc.)

Properties



Small spray angle
15°, suitable for small cross-sections and horizontal ducts



Adjustment of the droplet spectrum
by changing the air/fluid ratio



Clog-resistant
thanks to large free cross-sections without internal fittings



Very large turn down ratio
of 20:1 (in some cases up to 40:1)



Very fine droplet spectrum



Typical pressure range
Liquid 1-6 bar, g
Atomizing air 1-6 bar, g



Twin-fluid nozzles with internal mixing Series 170/180



Efficient atomization by mixing liquid and gas.

- Internal mixing principle
- Mixing chamber inside the nozzle combines a gas and a liquid to form an intensive dual-phase mixture
- Extremely fine atomization with good regulating performance
- Large free cross sections
- Lower air consumption than with nozzles that mix externally
- Maintenance-free operation

Applications:

Gas cooling, air humidification, flue gas desulphurisation, spray drying, absorption

Liquid pressure:

1.0-5.0 bar

Air pressure:

1.0-5.0 bar

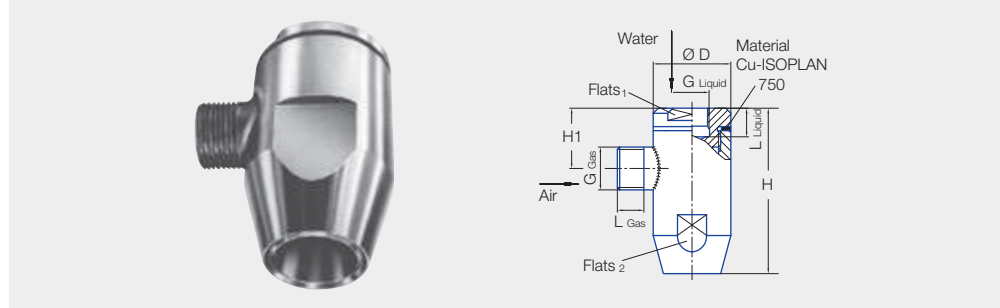
Regulating range up to max.:

1 : 30

Spray angle:

approx. 20°

The nozzle's large free cross sections allow maintenance-free operation even when atomizing viscous and abrasive media with a high solid content.



Type	Dimensions [mm]									Weight 316L SS
	H	H ₁	D	Flats ₁	Flats ₂	G _{Liquid} BSPP	G _{Gas} BSPP	L _{Liquid}	L _{Gas}	
180.641	48.0	28.0	25.0	22.0	22.0	G 1/8	G 3/8	7.5	10.0	140 g
170.801	81.0	29.5	38.0	32.0	32.0	G 3/8	G 1/2	14.0	13.0	540 g
170.881	81.0	29.5	38.0	32.0	32.0	G 3/8	G 1/2	14.0	13.0	540 g
170.961	112.0	42.0	52.0	46.0	46.0	G 1/2	G 3/4	18.0	15.0	1,275 g

Ordering no.	Mat. no.	E Ø [mm]	E Ø [mm]	Air pressure p [bar]											
				1.0			2.0			3.0			4.0		
				p Water [bar]	V Water [l/min]	V _n Air [m ³ /h]	p Water [bar]	V Water [l/min]	V _n Air [m ³ /h]	p Water [bar]	V Water [l/min]	V _n Air [m ³ /h]	p Water [bar]	V Water [l/min]	V _n Air [m ³ /h]
180.641	316L SS	3.0	4.2	0.8	0.4	20.0	1.7	0.6	32.0	2.5	0.8	43.0	3.1	0.9	55.0
				0.9	1.0	18.0	1.9	1.5	28.0	3.2	3.0	36.0	4.6	4.0	43.0
				1.3	2.5	14.0	2.7	3.5	23.0	4.0	5.0	32.0	5.8	7.0	37.0
170.801	316L SS	2.0	5.5	0.7	1.0	40.0	1.5	1.0	58.0	2.2	1.2	80.0	3.2	1.2	105.0
				0.9	3.0	35.0	1.8	5.0	52.0	2.6	7.0	72.0	3.6	10.0	91.0
				1.0	5.0	32.0	2.0	10.0	48.0	3.0	14.0	63.0	4.0	20.0	83.0
170.881	316L SS	2.8	7.6	0.6	1.0	60.0	1.5	1.2	95.0	2.2	1.5	130.0	3.1	1.8	171.0
				0.8	5.0	55.0	1.7	7.0	90.0	2.5	10.0	118.0	3.5	15.0	154.0
				0.9	8.0	50.0	1.9	13.0	80.0	3.0	19.0	105.0	4.1	28.0	143.0
170.961	316L SS	3.2	9.5	0.6	1.0	94.0	1.4	1.2	155.0	2.2	1.5	210.0	3.0	1.8	275.0
				0.8	5.0	85.0	1.7	10.0	130.0	2.6	15.0	179.0	3.5	20.0	220.0
				1.0	12.0	72.0	1.9	19.0	115.0	3.0	26.0	152.0	4.1	38.0	198.0

E = narrowest free cross section

Example	Type	+ Material no.	= Ordering no.
for ordering:	180.641	+ 1Y	= 180.641.1Y



Twin-fluid nozzles Series 150

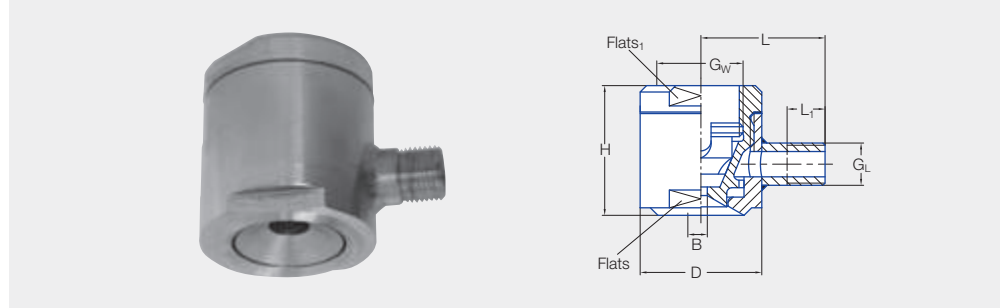


Fine liquid atomization by means of air or vapour.


- Liquid, air or vapour are supplied under pressure
- The air or vapour pressure must always be higher than liquid pressure
- A higher air-/water ratio leads to finer atomization

Applications:

Chemical process engineering, cooling processes, atomizing viscous liquids.



Type	G _w BSPP	G _L BSPP	H [mm]	D [mm]	L [mm]	L ₁ [mm]	Flats [mm]	Flats ₁ [mm]	Weight 316Ti SS
150.005.17 – 150.013.17	G 3/8	G 1/4 A	38.0	28.0	32.5	10.0	24.0	24.0	140 g
150.032.17	G 1	G 3/8 A	52.0	48.0	49.0	15.0	41.0	41.0	500 g
150.050.17 – 150.063.17	G 1 1/4	G 1/2 A	75.0	65.0	58.0	15.0	55.0	55.0	1,350 g

Spray angle 	Ordering no.		B Ø [mm]	E Ø [mm]	V̇ [l/min]						V̇ _n [m³/h] Air			
	Type	Mat. no.			p [bar]						p [bar]			
		17 ¹												
		316Ti SS			0.3	0.5	0.7	1.0	1.5	2.0	1.0	2.0	3.0	4.0
20-30°	150.005	○	1.0	1.0	0.15	0.20	0.24	0.28	0.35	0.40	10	15	20	25
	150.007	○	2.0	2.0	0.39	0.50	0.59	0.71	0.87	1.00	10	15	20	25
	150.009	○	4.0	2.0	0.97	1.25	1.48	1.77	2.17	2.50	10	15	20	25
	150.010	○	3.5	2.0	1.55	2.00	2.37	2.83	3.46	4.00	10	15	20	25
	150.013	○	6.0	2.0	3.10	4.00	4.73	5.66	6.93	8.00	10	15	20	25
	150.032	○	8.0	2.7	3.10	4.00	4.73	5.66	6.93	8.00	31	47	63	80
	150.050	○	9.0	4.9	6.20	8.00	9.47	11.31	13.86	16.00	60	90	120	150
	150.052	○	9.0	4.9	12.20	15.75	18.64	22.27	27.28	31.50	60	90	120	150
150.063	○	15.0	4.9	24.40	31.50	37.27	44.55	54.56	63.00	100	150	200	250	

¹ We reserve the right to deliver 316Ti SS or 316L SS under the material no. 17.
B = bore diameter · E = narrowest free cross section

Example **Type** + **Material no.** = **Ordering no.**
for ordering: 150.005 + 17 = 150.005.17



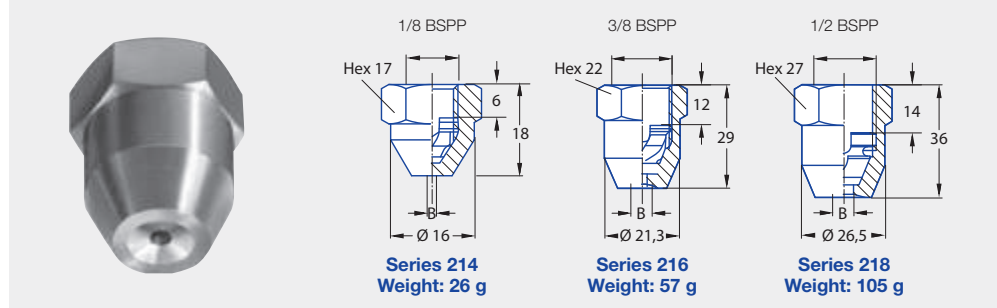
Axial-flow hollow cone nozzles Series 214/216/218





Fine, uniform hollow cone spray.

Applications:

Cooling and cleaning of air and gas, dust control, spraying onto filters, spray drying, desuperheating.



Spray angle 	Ordering no.		G	B Ø [mm]	E Ø [mm]	V̇ [l/min]							Spray diameter D at p = 3 bar  H = 250 mm
	Type	Mat. no.				p [bar]							
		17 ¹ 316Ti SS				0.5	1.0	2.0	3.0	5.0	10.0	20.0	
60°	214.184	○	1/8	0.50	0.50	-	-	0.08	0.10	0.13	0.18	0.25	200
	214.245	○	1/8	1.00	0.50	-	-	0.16	0.20	0.25	0.36	0.51	450
	214.305	○	1/8	1.80	0.50	-	0.23	0.32	0.39	0.51	0.72	1.01	450
60°	216.324	○	3/8	1.00	1.00	-	0.28	0.40	0.49	0.63	0.89	1.26	200
	216.364	○	3/8	1.40	1.40	-	0.45	0.63	0.77	1.00	1.41	1.99	200
	216.404	○	3/8	2.00	2.00	-	0.71	1.00	1.22	1.58	2.24	3.16	200
90°	216.496	○	3/8	3.00	2.00	-	1.20	1.70	2.08	2.69	3.80	5.38	500
	216.566	○	3/8	4.00	2.00	-	1.77	2.50	3.06	3.95	5.59	7.91	500
	216.646	○	3/8	3.50	2.00	2.00	2.83	4.00	4.90	6.32	8.94	12.65	500
	216.686	○	3/8	4.00	2.00	2.50	3.54	5.00	6.12	7.91	11.18	15.81	500
	216.726	○	3/8	5.00	2.00	3.15	4.45	6.30	7.72	9.96	14.09	19.92	500
	216.776	○	3/8	6.00	2.00	4.30	6.00	8.50	10.40	13.40	19.00	26.90	500
	218.646	○	1/2	5.00	2.00	2.00	2.83	4.00	4.90	6.32	8.94	12.65	500
	218.706	○	1/2	6.50	2.00	2.80	3.96	5.60	6.86	8.85	12.52	17.71	500
	218.766	○	1/2	5.00	2.00	4.00	5.66	8.00	9.80	12.65	17.89	25.30	500
	218.826	○	1/2	6.50	2.00	5.60	7.92	11.20	13.72	17.71	25.04	35.42	500
	218.846	○	1/2	7.50	2.00	6.25	8.84	12.50	15.31	19.76	27.95	39.53	500
218.886	○	1/2	9.00	2.40	8.00	11.31	16.00	19.60	25.30	35.78	50.60	500	

¹ We reserve the right to deliver 316Ti SS or 316L SS under the material no. 17.
B = bore diameter · E = narrowest free cross section

Example for ordering **Type** **+** **Material no.** **=** **Ordering no.**
 214.184 **+** **17** **=** **214.184.17**

Precision Spray Nozzles



Eccentric hollow cone nozzles Series 373 »Ramp Bottom«

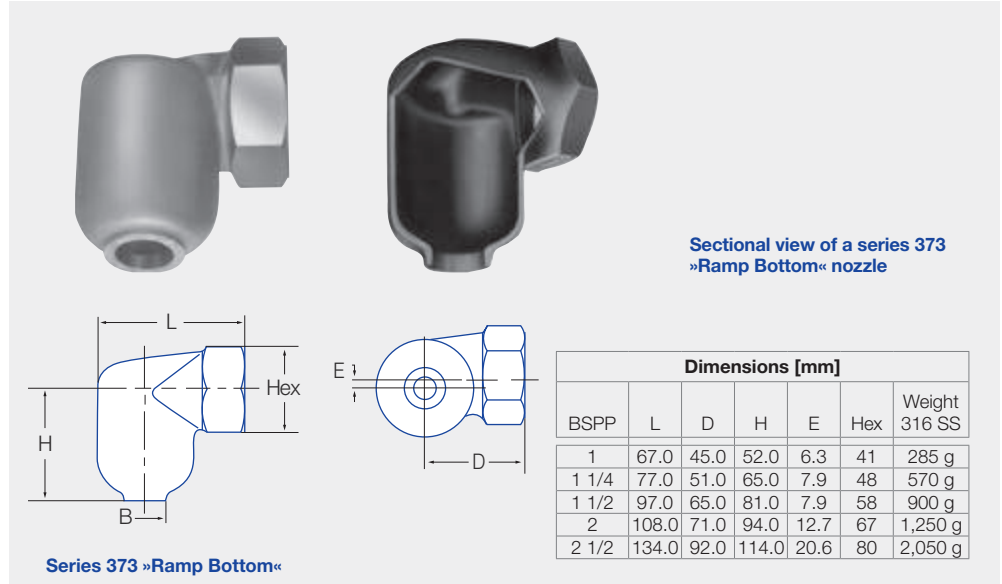


Fine, uniform hollow cone spray, also at low pressures.

Applications:

cooling and cleaning of gas, water re-cooling, dust control, chemical process engineering.



»Ramp Bottom« design offering a longer service life, due to the patented sloping shape of the swirl chamber.



Sectional view of a series 373 »Ramp Bottom« nozzle

Dimensions [mm]						
BSPP	L	D	H	E	Hex	Weight 316 SS
1	67.0	45.0	52.0	6.3	41	285 g
1 1/4	77.0	51.0	65.0	7.9	48	570 g
1 1/2	97.0	65.0	81.0	7.9	58	900 g
2	108.0	71.0	94.0	12.7	67	1,250 g
2 1/2	134.0	92.0	114.0	20.6	80	2,050 g

Series 373 »Ramp Bottom«

Spray angle 	Ordering no.						B Ø [mm]	V̇ [l/min]						Spray diameter D at p=2 bar 		
	Type	Mat. no.	Code					p [bar]						H = 500 mm	H = 1000 mm	
		17	316 SS	1 BSPP	1 1/4 BSPP	1 1/2 BSPP		2 BSPP	2 1/2 BSPP	0.3	0.5	1.0	2.0			5.0
70°	373.115	○	AN	-	-	-	-	11.40	24.40	31.50	44.50	63.00	99.60	141.00	650	1,300
80°	373.175	○	AN	-	-	-	-	12.90	31.00	40.00	56.60	80.00	126.00	179.00	800	1,550
	373.235	○	-	AQ	-	-	-	16.20	45.70	59.00	83.40	118.00	187.00	264.00	700	1,350
	373.285	○	-	AQ	-	-	-	20.50	62.00	80.00	113.00	160.00	253.00	358.00	800	1,550
	373.325	○	-	-	AS	-	-	22.20	77.50	100.00	141.00	200.00	316.00	447.00	800	1,550
	373.365	○	-	-	AS	-	-	23.60	67.90	114.00	161.00	227.00	359.00	508.00	700	1,400
	373.415	○	-	-	-	AW	-	25.60	131.00	169.00	238.00	337.00	533.00	754.00	700	1,400
	373.465	○	-	-	-	AW	-	30.70	182.00	235.00	332.00	469.00	742.00	1,049.00	965	1,800
	373.505	○	-	-	-	-	AZ	32.50	209.00	270.00	382.00	540.00	854.00	1,207.00	800	1,500
	373.515	○	-	-	-	-	AZ	34.80	233.00	301.00	425.00	601.00	950.00	1,344.00	900	1,700
373.555	○	-	-	-	-	AZ	41.10	290.00	375.00	530.00	750.00	1,186.00	1,677.00	900	1,700	

B = bore diameter · E = narrowest free cross section

Example	Type	+	Material no.	+	Code	=	Ordering no.
for ordering:	373.115	+	17	+	AN	=	373.115.17.AN



Axial-flow full cone nozzles Series 490/491

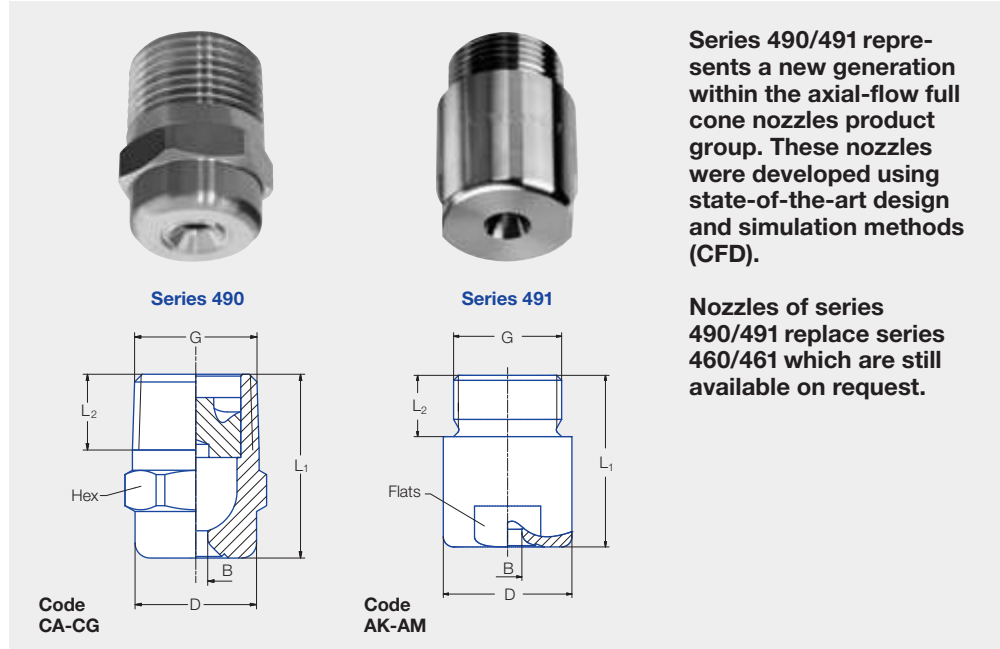
Patented



Non-clogging nozzle design with a very stable spray angle, particularly even liquid distribution and large free cross sections.

Applications:

Cleaning and washing processes, surface spraying, Container cleaning, foam precipitation, degassing of liquids.



Series 490/491 represents a new generation within the axial-flow full cone nozzles product group. These nozzles were developed using state-of-the-art design and simulation methods (CFD).

Nozzles of series 490/491 replace series 460/461 which are still available on request.

Code	Dimensions [mm]					Weight
	G	L ₁	L ₂	D	Hex/Flats	
CA	1/8 BSPT	18.0	6.5	10.0	11	13 g
CC	1/4 BSPT	22.0	10.0	13.0	14	16 g
CE	3/8 BSPT	24.5	10.0	16.0	17	30 g
CE	3/8 BSPT	30.0	10.0	16.0	17	50 g
CG	1/2 BSPT	32.5	13.0	21.0	22	60 g
CG	1/2 BSPT	43.5	13.0	21.0	22	85 g
AK	3/4 BSPP	42.0	15.0	32.0	27	190 g
AM	1 BSPP	56.0	17.0	40.0	36	350 g

Subject to technical modifications. Please enquire about the exact dimensions if the installation situation is critical.

Spray angle	Ordering no.								B Ø [mm]	E Ø [mm]	V̇ [l/min]							Spray diameter D at p=2 bar		
	Type	Mat. no.		Code							p [bar]							H = 200 mm	H = 500 mm	
		1Y	30	1/8 BSPT	1/4 BSPT	3/8 BSPT	1/2 BSPT	3/4 BSPP			1 BSPP	0.5	1.0	2.0	3.0	5.0	7.0			10.0
45°	490.403	○	○	CA	-	-	-	-	-	1.25	1.25	0.57	0.76	1.00	1.18	1.44	1.65	1.90	160	400
	490.523	○	○	CA	-	-	-	-	-	1.70	1.70	1.15	1.52	2.00	2.35	2.89	3.30	3.81	160	400
	490.603	○	○	-	CC	CE*	-	-	-	2.00	2.00	1.81	2.39	3.15	3.70	4.54	5.20	6.00	160	400
	490.643	○	○	-	CC	CE*	-	-	-	2.45	2.45	2.30	3.03	4.00	4.70	5.77	6.60	7.61	160	400
	490.683	-	○	-	-	CE	-	-	-	2.55	2.55	2.87	3.79	5.00	5.88	7.21	8.25	9.52	160	400
	490.703	-	○	-	-	CE	-	-	-	2.65	2.65	3.22	4.24	5.60	6.59	8.08	9.24	10.66	160	400
	490.723	○	○	-	-	CE	-	-	-	2.85	2.85	3.62	4.77	6.30	7.41	9.09	10.40	11.99	160	400
	490.783	-	○	-	-	-	CG	-	-	3.45	3.45	5.17	6.82	9.00	10.58	12.98	14.85	17.12	160	400
490.843	-	○	-	-	-	CG	-	-	3.80	3.80	7.18	9.47	12.50	14.70	18.03	20.63	23.80	160	400	
60°	490.404	○	○	CA	-	-	-	-	-	1.15	1.15	0.57	0.76	1.00	1.18	1.44	1.65	1.90	220	560
	490.444	○	-	CA	-	-	-	-	-	1.25	1.25	0.72	0.95	1.25	1.47	1.80	2.06	2.38	220	560
	490.484	○	○	CA	-	-	-	-	-	1.45	1.45	0.92	1.21	1.60	1.88	2.31	2.64	3.05	220	560
	490.524	○	○	CA	-	-	-	-	-	1.60	1.60	1.15	1.52	2.00	2.35	2.89	3.30	3.81	220	560
	490.564	○	○	CA	-	-	-	-	-	1.80	1.80	1.44	1.89	2.50	2.94	3.61	4.13	4.76	220	560
	490.604	○	○	CA	CC	CE	-	-	-	2.05	2.05	1.81	2.39	3.15	3.70	4.54	5.20	6.00	220	560

* Only available in material 30 · B = bore diameter · E = narrowest free cross section

Continued on next page.



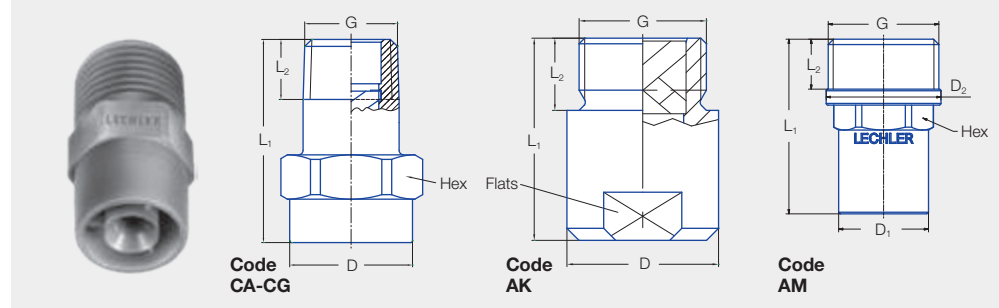
Axial-flow full cone nozzles Series 460/461



Very uniform spray pattern.

Applications:

Cleaning and washing process, cooling of gaseous fluids and solids, surface spraying, spraying onto mats in air washers, improving of chemical reactions.



Code	Dimensions [mm]					
	G	L ₁	L ₂	D ₁	D ₂	Hex/Flats
CA	1/8 BSPT	22.0	6.5	13.0	-	14
CC	1/4 BSPT	22.0	9.7	13.0	-	14
CE	3/8 BSPT	30.0	10.0	17.0	-	17
CG	1/2 BSPT	43.5	13.2	22.0	-	22
AK	3/4 BSPP	42.0	15.0	31.5	-	27
AM	1 BSPP	52.5	15.0	27.0	34.5	27

Subject to technical modifications. Please enquire about the exact dimensions if the installation situation is critical!

Spray angle	Ordering no.								B Ø [mm]	E Ø [mm]	V [l/min]							Spray diameter D at p=2 bar	
	Type	Mat. no.	Code					p [bar]							H = 200 mm	H = 500 mm			
			5E	1/8 BSPT	1/4 BSPT	3/8 BSPT	1/2 BSPT	3/4 BSPP			1 BSPP	0.5	1.0	2.0			3.0	5.0	7.0
60°	460.524	○	CA	-	-	-	-	-	1.60	1.60	1.00	1.41	2.00	2.45	2.83	3.16	4.47	220	560
	460.644	○	-	CC	-	-	-	-	2.40	1.90	2.30	3.03	4.00	4.70	5.77	6.60	7.61	220	560
	460.724	○	-	CC	-	-	-	-	2.80	2.10	3.15	4.45	6.30	7.72	8.91	9.96	14.09	220	560
	460.964	○	-	-	-	-	-	AK	-	5.80	4.90	14.36	18.95	25.00	29.40	36.07	41.26	47.59	220
90°	460.326	○	CA	-	-	-	-	-	0.80	0.55	0.23	0.30	0.40	0.47	0.58	0.66	0.76	380	860
	460.406	○	CA	-	-	-	-	-	1.20	0.85	0.57	0.76	1.00	1.18	1.44	1.65	1.90	380	860
	460.486	○	CA	-	-	-	-	-	1.45	1.20	0.92	1.21	1.60	1.88	2.31	2.64	3.05	380	860
	460.526	○	CA	-	-	-	-	-	1.65	1.30	1.15	1.52	2.00	2.35	2.89	3.30	3.81	380	860
	460.606	○	CA	-	CE	-	-	-	2.05	1.45	1.81	2.39	3.15	3.70	4.54	5.20	6.00	380	860
	460.646	○	-	CC	-	-	-	-	2.30	1.80	2.30	3.03	4.00	4.70	5.77	6.60	7.61	390	960
	460.726	○	-	-	CE	-	-	-	2.95	2.00	3.62	4.77	6.30	7.41	9.09	10.40	11.99	390	960
	460.746	○	-	-	CE	-	-	-	3.30	1.90	4.08	5.38	7.10	8.35	10.24	11.72	13.52	390	960
	460.766	○	-	-	CE	-	-	-	3.30	2.40	4.59	6.06	8.00	9.41	11.54	13.20	15.22	390	960
	460.806	○	-	-	CE	-	-	-	3.70	2.70	5.74	7.58	10.00	11.76	14.43	16.51	19.04	390	960
	460.846	○	-	-	CE	-	-	-	4.05	3.20	7.18	9.47	12.50	14.70	18.03	20.63	23.80	390	960
	460.886	○	-	-	CE	CG	-	-	4.70	3.10	9.19	12.13	16.00	18.82	23.08	26.41	30.46	390	960
	460.926	○	-	-	-	CG	-	-	5.10	2.80	10.00	14.14	20.00	24.49	28.28	31.62	44.72	390	960
	460.966	○	-	-	-	CG	-	-	5.80	3.80	14.36	18.95	25.00	29.40	36.07	41.26	47.59	390	960
	461.006	○	-	-	-	CG	-	-	6.40	3.80	18.09	23.87	31.50	37.05	45.45	51.99	59.97	390	960
	461.046	○	-	-	-	-	CK*	-	7.20	5.30	22.97	30.31	40.00	47.04	57.71	66.02	76.15	390	960
	461.086	○	-	-	-	-	-	AM	8.40	5.00	25.00	35.36	50.00	61.24	70.71	79.06	111.80	390	860

B = bore diameter · E = narrowest free cross section
* Connection 3/4 BSPT



Continued on next page.

Example	Type	+ Material no.	+ Code	= Ordering no.
for ordering:	460.524	+ 5E	+ CA	= 460.524.5E.CA



Axial-flow full cone nozzles Series 460/461



Spray angle 	Ordering no.								B Ø [mm]	E Ø [mm]	V̇ [l/min]						Spray diameter D at p=2 bar 		
	Type	Mat. no.	Code								p [bar]						H = 200 mm	H = 500 mm	
			5E	1/8 BSPT	1/4 BSPT	3/8 BSPT	1/2 BSPT	3/4 BSPP			1 BSPP	0.5	1.0	2.0	3.0	5.0			7.0
120°	460.368	○	CA	-	-	-	-	-	0.95	0.45	0.32	0.45	0.63	0.77	0.89	1.00	1.41	680	1,220
	460.408	○	CA	-	-	-	-	-	1.20	0.85	0.57	0.76	1.00	1.18	1.44	1.65	1.90	680	1,220
	460.488	○	CA	-	-	-	-	-	1.50	1.00	0.92	1.21	1.60	1.88	2.31	2.64	3.05	680	1,220
	460.528	○	CA	-	-	-	-	-	1.65	1.20	1.15	1.52	2.00	2.35	2.89	3.30	3.81	680	1,220
	460.608	○	CA	-	-	-	-	-	2.10	1.40	1.81	2.39	3.15	3.70	4.54	5.20	6.00	680	1,220
	460.648	○	-	CC	CE	-	-	-	2.45	1.60	2.30	3.03	4.00	4.70	5.77	6.60	7.61	680	1,330
	460.728	○	-	-	CE	-	-	-	3.10	1.90	3.62	4.77	6.30	7.41	9.09	10.40	11.99	680	1,330
	460.748	○	-	-	CE	-	-	-	3.30	1.90	4.08	5.38	7.10	8.35	10.24	11.72	13.52	680	1,330
	460.768	○	-	-	CE	-	-	-	3.50	1.90	4.59	6.44	8.00	9.41	11.54	13.20	15.22	680	1,330
	460.808	○	-	-	CE	-	-	-	3.80	2.40	5.74	7.58	10.00	11.76	14.43	16.51	19.04	680	1,330
	460.848	○	-	-	CE	-	-	-	4.20	2.70	7.18	9.47	12.50	14.70	18.03	20.63	23.80	680	1,330
	460.888	○	-	-	-	CG	-	-	4.60	3.10	9.19	12.13	16.00	18.82	23.08	26.41	30.46	680	1,330
	460.968	○	-	-	-	CG	-	-	5.90	4.10	14.36	18.95	25.00	29.40	36.07	41.26	47.59	680	1,330
	461.048	⊗	-	-	-	-	CK*	-	7.60	4.90	22.97	30.31	40.00	47.04	57.71	66.02	76.15	680	1,330

B = bore diameter · E = narrowest free cross section

⊗ Material PP (material no. 53)

* Connection 3/4 BSPT

Example Type + Material no. + Code = Ordering no.
for ordering: 460.368 + 5E + CA = 460.368.5E.CA



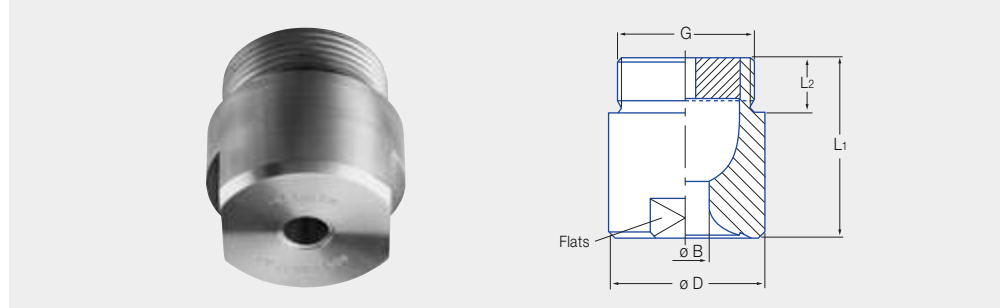
Axial-flow full cone nozzles Series 405



Very uniform spray pattern.



Applications:

Surface spraying, spraying over packings, cleaning and washing process, chemical process engineering, cooling of gaseous fluids and solids, water treatment.



Dimensions [mm]					Weight 316L SS
G	L ₁	L ₂	D	Flats	
1 1/4 BSPP	50	19	49	41	525 g
1 1/2 BSPP	60	19	59	50	920 g
2 BSPP	78	24	68	60	1,550 g

Other nozzle sizes and materials are available on request.

Spray angle 	Ordering no.				B Ø [mm]	E Ø [mm]	V [l/min]						Spray diameter D at p = 2 bar 		
	Type	Mat. no.	Code				p [bar]						H = 0.5 m	H = 1 m	
		316L SS 1Y	1 1/4 BSPP AP	1 1/2 BSPP AR			2 BSPP AV	0.3	0.5	1.0	2.0	3.0			5.0
60°	405.204	○	AP	-	-	11.20	5.80	47	57	76	100	118	144	560	1,040
	405.284	○	-	AR	-	14.30	7.00	75	92	121	160	188	231	580	1,080
	405.324	○	-	-	AV	16.40	7.50	94	115	152	200	235	289	580	1,080
	405.364	○	-	-	AV	18.40	8.50	117	144	189	250	294	361	580	1,080
	405.404	○	-	-	AV	20.00	7.00	147	181	239	315	370	454	580	1,100
90°	405.206	○	AP	-	-	12.00	5.00	47	57	76	100	118	144	780	1,450
	405.286	○	-	AR	-	15.20	6.20	75	92	121	160	188	231	800	1,550
	405.326	○	-	-	AV	17.20	7.70	94	115	152	200	235	289	850	1,600
	405.366	○	-	-	AV	19.50	8.70	117	144	189	250	294	361	850	1,600
	405.406	○	-	-	AV	22.00	9.50	147	181	239	315	370	454	850	1,600
120°	405.208	○	AP	-	-	12.70	5.00	47	57	76	100	118	144	1,450	2,600
	405.288	○	-	AR	-	16.00	6.60	75	92	121	160	188	231	1,500	2,700
	405.328	○	-	-	AV	17.80	7.90	94	115	152	200	235	289	1,500	2,800
	405.368	○	-	-	AV	20.10	8.80	117	144	189	250	294	361	1,500	2,800
	405.408	○	-	-	AV	22.40	9.10	147	181	239	315	370	454	1,500	2,800

B = bore diameter · E = narrowest free cross section

Example Type + Material-no. + Code = Ordering no.
for ordering: 405.204 + 1Y AP = 405.204.1Y.AP



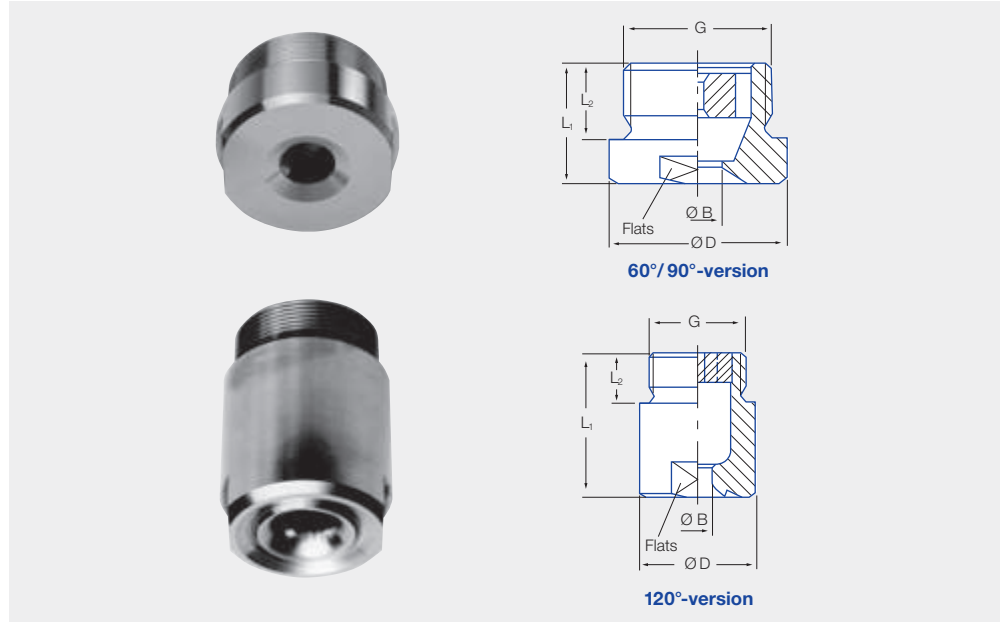
Axial-flow full cone nozzles Series 403



Very uniform spray pattern.

Applications:

Surface spraying, spraying over packings, chemical process engineering, cooling of gaseous fluids and solids.



Other nozzle sizes and materials are available on request.

60°/ 90°-version

Type	Dimensions [mm]					Weight
	BSPP	L ₁	L ₂	D	Flats	
403.444/403.446 403.484/403.486	2 1/2	52	27	83	75	1,300 g
403.524/403. 526	3	60	30	98	85	2,000 g
403.564/403.604/403.606	3 1/2	70	32	118	105	3,600 g
403.624	4	90	36	128	110	5,500 g

120°-version

Type	Dimensions [mm]					Weight
	BSPP	L ₁	L ₂	D	Flats	
403.448/403.488	2 1/2	124	27	83	75	3,200 g
403.528	3	153	30	98	85	5,400 g
403.608	3 1/2	156	32	118	105	8,300 g
403.628	4	165	36	128	110	9,600 g

Spray angle	Ordering no.		B Ø [mm]	E Ø [mm]	V̇ [l/min]							Spray diameter D at p = 2 bar	
	Type	Mat. no. 1Y			p [bar]							H = 0.5 m	H = 1 m
					0.3	0.5	1.0	2.0	3.0	5.0	7.0		
60°	403.444	○	25.00	6.00	187	230	303	400	470	577	660	580	1,100
	403.484	○	29.50	9.00	234	287	379	500	588	721	825	620	1,150
	403.524	○	32.00	8.00	295	362	477	630	741	909	1,040	620	1,150
	403.564	○	38.00	14.00	375	459	606	800	941	1,154	1,320	620	1,150
	403.604	○	41.50	10.00	468	574	758	1,000	1,176	1,443	1,651	630	1,200
90°	403.446	○	25.00	12.00	187	230	303	400	470	577	660	900	1,700
	403.486	○	29.50	12.00	234	287	379	500	588	721	825	900	1,700
	403.526	○	32.00	13.80	295	362	477	630	741	909	1,040	900	1,700
	403.606	○	40.00	15.00	468	574	758	1,000	1,176	1,443	1,651	980	1,750
	120°	403.448	○	25.50	10.00	187	230	303	400	470	577	660	1,500
403.488		○	29.50	11.00	234	287	379	500	588	721	825	1,500	2,850
403.528		○	32.00	15.00	295	362	477	630	741	909	1,040	1,500	2,850
403.608		○	42.00	12.00	468	574	758	1,000	1,176	1,443	1,651	1,500	2,850
403.628		○	45.00	15.00	585	718	947	1,250	1,470	1,903	2,063	1,600	2,900

B = bore diameter · E = narrowest free cross section

Example Type + Material no. = Ordering no.
for ordering: 403.444 + 1Y = 430.444.1Y

Conversion formula for the above series: $\dot{V}_2 = \dot{V}_1 * \left(\frac{p_2}{p_1}\right)^{0.4}$
(≤ 10 bar)



Axial-flow full cone nozzles Series 419 »FreeFlow«

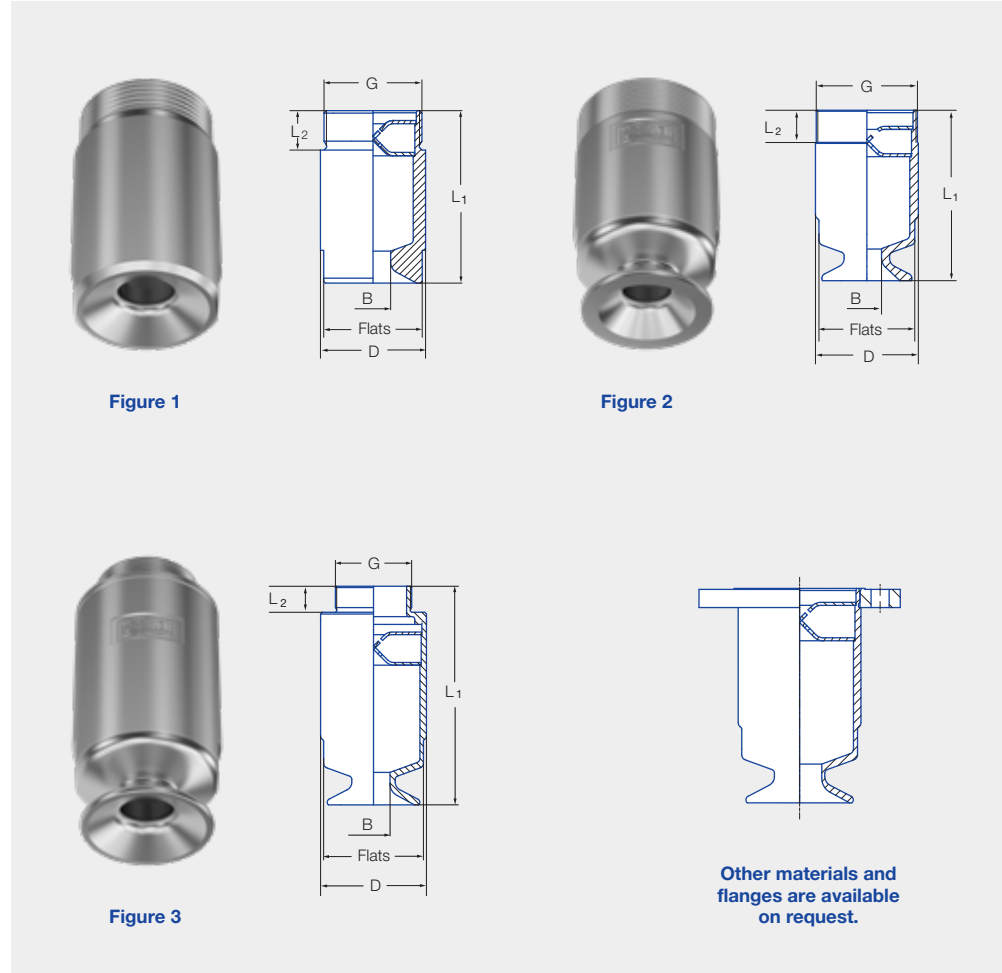


FreeFlow

Particularly insensitive to clogging thanks to very large free cross sections.
Stable spray angle.
Uniform spray pattern.

Applications:

Gas washing, spraying over packings, dust control, absorption, distillation column



Spray angle	Type	Code	Figure	Dimensions [mm]					Weight
				G	L ₁	L ₂	D	Flats	
90° + 120°	419.3XX	AR	3	1 1/2 BSPP	132	22	64	60	1,500 g
		AV	1	2 BSPP	114	24	64	60	1,200 g
	419.4XX	AV	3	2 BSPP	163	24	80	75	2,000 g
		AY	2	2 1/2 BSPP	134	27	80	75	1,700 g
	419.51X 419.54X	AV	3	2 BSPP	199	24	102	95	3,700 g
		AY	3	2 1/2 BSPP	202	27	102	95	3,800 g
		LA	3	3 BSPP	205	30	102	95	5,200 g
		LC	2	3 1/2 BSPP	169	32	102	95	3,200 g
	419.57X	AY	3	2 1/2 BSPP	231	27	115	105	5,200 g
		LA	3	3 BSPP	233	30	115	105	5,200 g
		LE	2	4 BSPP	194	36	115	105	4,400 g
	419.6XX	LA	3	3 BSPP	252	30	122	115	5,400 g
LC		3	3 1/2 BSPP	254	32	122	115	5,500 g	

Precision Spray Nozzles



Axial-flow full cone nozzles

Series 419 »FreeFlow«

Spray angle*	Ordering no.									B Ø [mm]	E Ø [mm]	V̇ [l/min]					Spray diameter D [mm] at p = 1 bar	
	Type	Mat.no.		Code								p [bar] (p _{max} = 10 bar)					H = 500 mm	H = 1000 mm
		1Y	2P	1 1/2 BSPP	2 BSPP	2 1/2 BSPP	3 BSPP	3 1/2 BSPP	4 A BSPP			0.3	0.5	1.0	2.0	5.0		
90°	419.366	○	○	AR	AV	-	-	-	-	18.0	17.5	117	144	189	250	361	1,000	2,000
	419.396	○	○	AR	AV	-	-	-	-	20.5	17.5	140	172	227	300	433	1,000	2,000
	419.446	○	○	-	AV	AY	-	-	-	23.0	20.5	187	230	303	400	577	1,000	2,000
	419.486	○	○	-	AV	AY	-	-	-	28.0	20.5	234	287	379	500	721	1,000	2,000
	419.516	○	○	-	AV	AY	LA	LC	-	27.2	24.1	281	345	455	600	866	1,000	2,000
	419.546	○	○	-	AV	AY	LA	LC	-	33.0	24.1	332	408	538	710	1,024	1,000	2,000
	419.576	○	○	-	-	AY	LA	-	LE	34.0	27.2	398	488	644	850	1,226	1,000	2,000
	419.606	○	○	-	-	-	LA	LC	-	37.5	30.1	468	574	758	1,000	1,443	1,000	2,000
419.626	○	○	-	-	-	LA	LC	-	43.0	30.1	585	718	947	1,250	1,803	1,000	2,000	
120°	419.368	○	○	AR	AV	-	-	-	-	20.5	17.4	117	144	189	250	361	1,700	2,900
	419.398	○	○	AR	AV	-	-	-	-	23.5	17.4	140	172	227	300	433	1,700	2,900
	419.448	○	○	-	AV	AY	-	-	-	24.5	20.5	187	230	303	400	577	1,700	2,900
	419.488	○	○	-	AV	AY	-	-	-	29.5	20.5	234	287	379	500	721	1,700	2,900
	419.518	○	○	-	AV	AY	LA	LC	-	27.2	24.1	281	345	455	600	866	1,700	2,900
	419.548	○	○	-	AV	AY	LA	LC	-	34.0	24.1	332	408	538	710	1,024	1,700	2,900
	419.578	○	○	-	-	AY	LA	-	LE	34.0	28.6	398	488	644	850	1,226	1,700	2,900
	419.608	○	○	-	-	-	LA	LC	-	38.0	32.2	468	574	758	1,000	1,443	1,700	2,900
419.628	○	○	-	-	-	LA	LC	-	43.5	32.2	585	718	947	1,250	1,803	1,700	2,900	

B = bore diameter · E = narrowest free cross section · * Spray angle at 1 bar

Example	Type	+	Material-no.	+	Code	=	Ordering no.
for ordering:	419.366	+	1Y	+	AR	=	419.366.1Y.AR

Conversion formula for the above series: $\dot{V}_2 = \dot{V}_1 * \left(\frac{p_2}{p_1}\right)^{0.4}$
(≤ 10 bar)



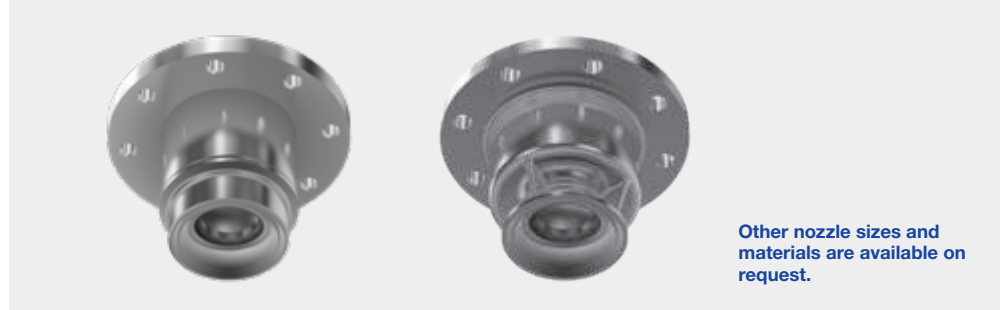
Axial-flow full cone nozzles Series 421



**Even full cone distribution,
high flow rates.**

Applications:

Scrubber, for even surface irrigation, cooling and cleaning of gases, water recooling, column irrigation and for improving chemical reactions via surface enlargement.



Other nozzle sizes and materials are available on request.

Spray angle*	Ordering no.				B Ø [mm]	E Ø [mm]	V̇ [l/min]					
	Type	Mat. no.					p [bar] (p _{max} = 10 bar)					
		05.84 Cast iron	1Y.84 316L SS	53.00 PP			0.3	0.5	1.0	2.0	5.0	10.0
60°	421.564	○	-	○	37	12	375	459	606	800	1,154	1,523
	421.604	○	-	○	39	14	468	574	758	1,000	1,443	1,904
	421.624	○	○	○	41	13	585	718	947	1,250	1,803	2,380
	421.644	○	○	○	49	16	749	919	1,213	1,600	2,308	3,046
	421.664	○	○	○	56	16	936	1,149	1,516	2,000	2,885	3,807
	421.684	○	○	○	58	21	1,171	1,436	1,895	2,500	3,607	4,759
	421.704	○	○	○	65	24	1,475	1,809	2,387	3,150	4,545	5,997
	421.724	-	○	○	72	30	1,873	2,297	3,031	4,000	5,771	7,615
	421.744	-	○	○	81	34	2,341	2,872	3,789	5,000	7,214	9,518
	421.764	-	○	○	88	35	2,950	3,618	4,775	6,300	9,089	11,993
	421.784	-	○	○	99	39	3,746	4,595	6,063	8,000	11,542	15,229
	421.804	-	○	-	112	42	4,682	5,743	7,579	10,000	14,427	19,037
	421.824	-	○	-	125	52	5,853	7,179	9,473	12,500	18,034	23,796
90°	421.566	○	-	○	37	15	375	459	606	800	1,154	1,523
	421.606	○	-	○	39	15	468	574	758	1,000	1,443	1,904
	421.626	○	○	○	43	19	585	718	947	1,250	1,803	2,380
	421.646	○	○	○	53	22	749	919	1,213	1,600	2,308	3,046
	421.666	○	○	○	56	24	936	1,149	1,516	2,000	2,885	3,807
	421.686	○	○	○	59	28	1,171	1,436	1,895	2,500	3,607	4,759
	421.706	○	○	○	66	32	1,475	1,809	2,387	3,150	4,545	5,997
	421.726	-	○	○	72	35	1,873	2,297	3,031	4,000	5,771	7,615
	421.746	-	○	○	81	40	2,341	2,872	3,789	5,000	7,214	9,518
	421.766	-	○	○	93	39	2,950	3,618	4,775	6,300	9,089	11,993
	421.786	-	○	○	99	44	3,746	4,595	6,063	8,000	11,542	15,229
	421.806	-	○	○	123	53	4,682	5,743	7,579	10,000	14,427	19,037
	421.826	-	○	-	125	54	5,853	7,179	9,473	12,500	18,034	23,796
120°	421.568	○	○	○	36	15	375	459	606	800	1,154	1,523
	421.608	○	○	○	41	15	468	574	758	1,000	1,443	1,904
	421.628	○	○	○	43	19	585	718	947	1,250	1,803	2,380
	421.648	○	○	○	53	22	749	919	1,213	1,600	2,308	3,046
	421.668	○	○	○	55	24	936	1,149	1,516	2,000	2,885	3,807
	421.688	○	○	○	59	28	1,171	1,436	1,895	2,500	3,607	4,759
	421.708	○	○	○	66	32	1,475	1,809	2,387	3,150	4,545	5,997
	421.728	-	○	○	72	35	1,873	2,297	3,031	4,000	5,771	7,615
	421.748	-	○	○	81	40	2,341	2,872	3,789	5,000	7,214	9,518
	421.768	-	○	○	88	39	2,950	3,618	4,775	6,300	9,089	11,993
	421.788	-	○	○	99	44	3,746	4,595	6,063	8,000	11,542	15,229
	421.808	-	○	○	108	53	4,682	5,743	7,579	10,000	14,427	19,037
	421.828	-	○	○	121	54	5,853	7,179	9,473	12,500	18,034	23,796

B = bore diameter · E = narrowest free cross section

* Spray angle at p = 2 bar



Axial-flow full cone nozzles Series 421

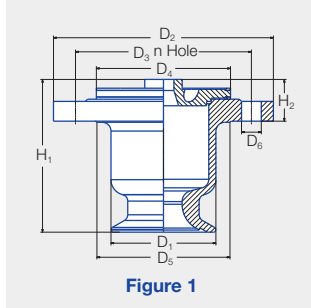


Figure 1

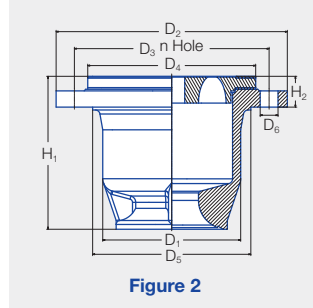


Figure 2

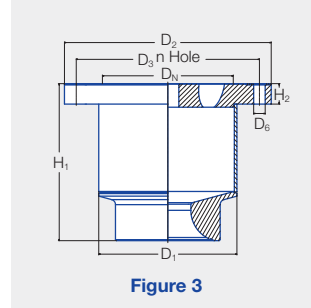


Figure 3

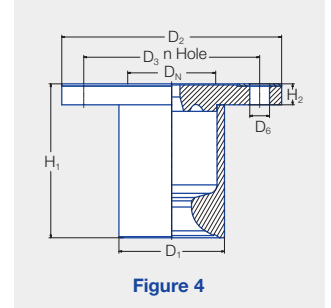



Figure 4

Spray angle 	Type	Mat. no.	Fig.	Dimensions [mm]								Flange hole	
				H ₁	H ₂	D ₁	D ₂	D ₃	D ₄	D ₅	D _N	Number	D ₆
60°-90° 120° 120° 60°-120°	421.56x/ 421.60x	05.84	1	134	39	96	200	160	122	121	80	8	18
		05.84	1	140	39	96	200	160	122	121	80	8	18
		1Y.84	3	140	19	96	200	160	-	-	80	8	18
		53.00	4	131	44	99	200	160	-	-	80	8	18
60°-120°	421.62x	05.84	1	156	28	113	220	180	158	141	100	8	18
		1Y.84	3	156	20	108	220	180	-	-	100	8	18
		53.00	4	156	53	117	220	180	-	-	100	8	18
		05.84	2	175	42	140	250	210	188	166	125	8	18
60°-90° 120° 60°-120° 60°-120°	421.64x/ 421.66x	05.84	2	175	29	140	250	210	188	166	125	8	18
		05.84	2	175	19	135	250	210	-	-	125	8	18
		1Y.84	3	175	19	135	250	210	-	-	125	8	18
		53.00	4	175	57	141	250	210	-	-	125	8	18
60°-120°	421.68x/ 421.70x	05.84	2	186	38	170	285	240	207	195	150	8	22
		1Y.84	3	186	27	160	285	240	-	-	150	8	22
		53.00	4	186	51	171	285	240	-	-	150	8	23
		1Y.84	3	250	33	214	340	295	-	-	200	8	22
60°-120°	421.72x/ 421.74x	53.00	4	250	50	225	340	295	-	-	200	8	23
		1Y.84	3	300	39	264	395	350	-	-	250	12	22
60°-120°	421.76x/ 421.78x	53.00	4	300	53	280	395	350	-	-	250	12	23
		1Y.84	3	300	39	264	395	350	-	-	250	12	22
60°-120°	421.80x/ 421.82x	53.00	4	367	49	315	445	400	-	-	300	12	22
		1Y.84	3	367	57	328	445	400	-	360	300	12	23

Example Type + Material no. = Ordering no.
for ordering: 421.564 + 05.84 = 421.564.05.84



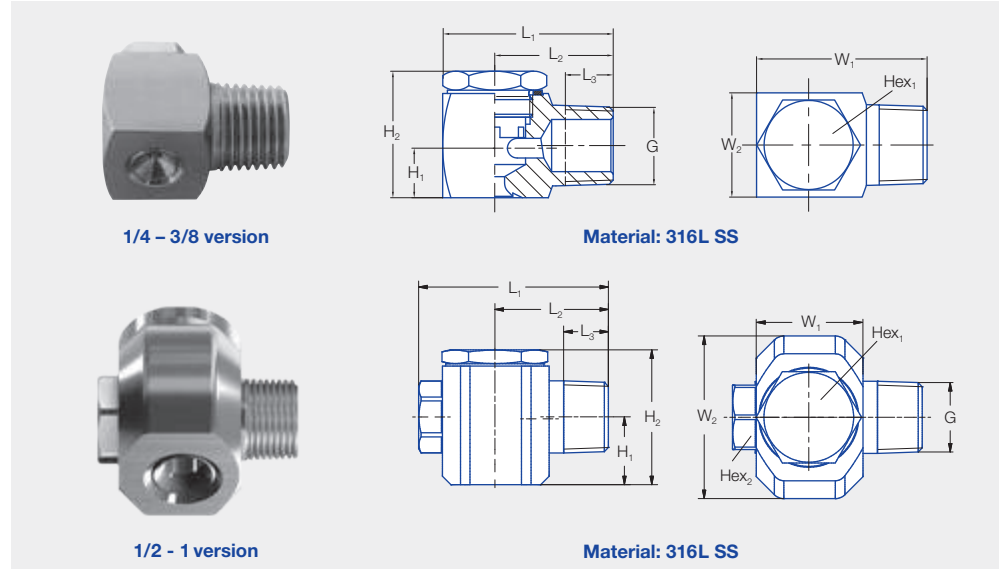
Tangential-flow full cone nozzles Series 422/423



Tangentially arranged liquid supply. Without swirl inserts. Non-clogging. Stable spray angle. Uniform spray.

Applications:

Cleaning and washing process, cooling of gaseous fluids and solids, surface spraying, spraying onto mats in air washers, improving of chemical reactions, continuous casting, foam control.



G	Dimensions [mm]									Weight 316L SS
	L ₁	L ₂	L ₃	H ₁	H ₂	W ₁	W ₂	Hex ₁	Hex ₂	
1/4 BSPT	28.0	20.0	9.7	8.0	21.0	15.6	16.0	11	-	44 g
3/8 BSPT	36.0	25.0	10.1	11.0	26.7	23.2	22.0	19	-	101 g
1/2 BSPT	56.0	33.5	13.2	20.0	40.0	32.0	48.0	27	19	310 g
3/4 BSPT	65.5	38.5	14.5	23.5	57.0	40.0	63.0	36	27	830 g
1 BSPT	85.0	48.5	16.8	27.3	66.0	55.0	78.0	41	36	1,581 g

Spray angle	Ordering no.							B Ø [mm]	E Ø [mm]	V̇ [l/min]							Spray diameter D at p = 2 bar	
	Type	Mat-no.	Code							p [bar]							H = 200 mm	H = 500 mm
		1Y	316L SS	1/4 BSPT	3/8 BSPT	1/2 BSPT	3/4 BSPT			1 BSPT	0.5	1.0	2.0	3.0	5.0	7.0		
60°	422.644	○	-	CE	-	-	-	3.00	3.00	2.00	2.83	4.00	4.90	6.32	7.48	8.94	225	510
90°	422.406	○	CC	-	-	-	-	1.40	1.40	0.50	0.71	1.00	1.22	1.58	1.87	2.24	380	860
	422.486	○	CC	-	-	-	-	1.85	1.85	0.80	1.13	1.60	1.96	2.53	2.99	3.58	380	860
	422.566	○	CC	-	-	-	-	2.25	2.25	1.25	1.77	2.50	3.06	3.95	4.68	5.59	380	860
	422.606	○	-	CE	-	-	-	2.55	2.55	1.57	2.23	3.15	3.86	4.98	5.89	7.04	380	860
	422.646	○	-	CE	-	-	-	2.90	2.90	2.00	2.83	4.00	4.90	6.32	7.48	8.94	390	960
	422.766	○	-	CE	-	-	-	4.15	4.15	4.00	5.66	8.00	9.80	12.65	14.97	17.89	390	960
	422.846	○	-	CE	-	-	-	5.30	5.30	6.25	8.84	12.50	15.31	19.76	23.39	27.95	390	960
	422.886	○	-	CE	-	-	-	5.85	5.85	8.00	11.31	16.00	19.60	25.30	29.93	35.78	390	960
	422.966	○	-	-	CG	-	-	8.00	8.00	12.50	17.68	25.00	30.62	39.53	46.77	55.90	390	960
120°	422.568	○	CC	-	-	-	-	2.45	2.40	1.25	1.77	2.50	3.06	3.95	4.68	5.59	680	1,220
	422.728	○	-	CE	-	-	-	4.00	3.90	3.15	4.45	6.30	7.72	9.96	11.79	14.09	680	1,600
	422.808	○	-	CE	-	-	-	4.90	4.90	5.00	7.07	10.00	12.25	15.81	18.71	22.36	680	1,600
	422.848	○	-	CE	-	-	-	5.30	5.30	6.25	8.84	12.50	15.31	19.76	23.39	27.95	680	1,600
	422.888	○	-	CE	-	-	-	6.60	6.00	8.00	11.31	16.00	19.60	25.30	29.93	35.78	680	1,600
	422.928	○	-	-	CG	-	-	7.30	7.30	10.00	14.14	20.00	24.49	31.62	37.42	44.72	680	1,600
	422.968	○	-	-	CG	-	-	8.00	8.00	12.50	17.68	25.00	30.62	39.53	46.77	55.90	680	1,600
	423.008	○	-	-	CG	-	-	8.70	8.70	15.75	22.27	31.50	38.88	49.81	58.93	70.44	680	1,600
	423.128	○	-	-	-	CK	-	12.70	12.30	31.50	44.55	63.00	77.16	99.61	117.86	140.87	680	1,600
	423.208	○	-	-	-	-	CM	17.00	16.00	50.00	70.71	100.00	122.47	158.11	187.08	223.61	680	1,600

B = bore diameter · E = narrowest free cross section

Example Type + Material-no. + Code = Ordering no.
for ordering: 422.644 + 1Y + CE = 422.644.1Y.CE



Tangential-flow full cone nozzles

Plastic version

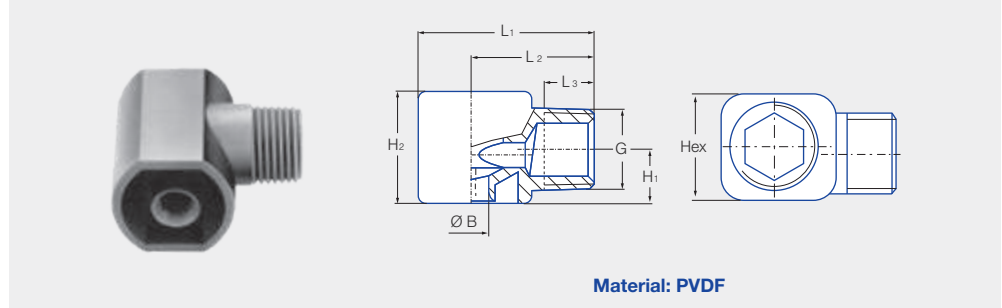
Series 422/423



Tangentially arranged liquid supply. Without swirl inserts. Non-clogging. Stable spray angle. Uniform spray.

Applications:

Cleaning and washing processes, surface spraying, bottle cleaning, keg cleaning, sausage showers, foam control, degassing, pasteurization.



Material: PVDF

Dimensions [mm]							Weight
G	L ₁	L ₂	L ₃	H ₁	H ₂	Hex	
1/4 BSPT	28.0	20.0	9.8	8.0	16.0	16.0	7 g
3/8 BSPT	36.0	25.0	10.1	11.2	23.0	22.0	16 g
1/2 BSPT	49.5	33.5	13.2	19.2	38.0	32.0	40 g
3/4 BSPT	58.5	38.5	18.5	24.5	50.0	41.0	50 g

Spray angle	Ordering no.						B Ø [mm]	E Ø [mm]	V̇ [l/min]						Spray diameter D at p = 1-10 bar	
	Type	Mat. no. 5E	Code						p [bar]						H = 200 mm	H = 500 mm
			PVDF	1/4 BSPT	3/8 BSPT	1/2 BSPT			3/4 BSPT	0.5	1.0	2.0	3.0	5.0		
60°	422.724	○	-	CE	-	-	3.60	3.60	3.15	4.45	6.30	7.72	9.96	14.09	225	510
90°	422.406	○	CC	-	-	-	1.50	1.45	0.50	0.71	1.00	1.22	1.58	2.24	380	860
	422.566	○	CC	-	-	-	2.30	2.20	1.25	1.77	2.50	3.06	3.95	5.59	380	860
	422.606	○	-	CE	-	-	2.60	2.50	1.57	2.23	3.15	3.86	4.98	7.04	380	860
	422.646	○	-	CE	-	-	3.00	2.90	2.00	2.83	4.00	4.90	6.32	8.94	390	960
	422.726	○	-	CE	-	-	3.70	3.60	3.15	4.45	6.30	7.72	9.96	14.09	390	960
	422.806	○	-	CE	-	-	4.65	4.60	5.00	7.07	10.00	12.25	15.81	22.36	390	960
	422.846	○	-	CE	-	-	5.20	5.10	6.25	8.84	12.50	15.31	19.76	27.95	390	960
	422.886	○	-	CE	-	-	5.85	5.85	8.00	11.31	16.00	19.60	25.30	35.78	390	960
	422.926	○	-	-	CG	-	7.30	7.30	10.00	14.14	20.00	24.49	31.62	44.72	390	960
	422.966	○	-	-	CG	-	8.00	8.00	12.50	17.68	25.00	30.62	39.53	55.90	390	960
423.006	○	-	-	CG	-	8.70	8.70	15.75	22.27	31.50	38.58	49.81	70.44	390	960	
423.126	○	-	-	-	CK	12.00	12.00	31.50	44.55	63.00	77.16	99.61	140.87	390	960	
120°	422.408	○	CC	-	-	-	1.50	1.45	0.50	0.71	1.00	1.22	1.58	2.24	680	1,220
	422.448	○	CC	-	-	-	1.65	1.60	0.62	0.88	1.25	1.53	1.98	2.80	680	1,220
	422.488	○	CC	-	-	-	1.90	1.80	0.80	1.13	1.60	1.96	2.53	3.58	680	1,220
	422.568	○	CC	-	-	-	2.30	2.20	1.25	1.77	2.50	3.06	3.95	5.59	680	1,220
	422.728	○	-	CE	-	-	3.70	3.60	3.15	4.45	6.30	7.72	9.96	14.09	680	1,600
	422.888	○	-	CE	-	-	5.80	5.70	8.00	11.31	16.00	19.60	25.30	35.78	680	1,600
	422.968	○	-	-	CG	-	8.00	8.00	12.50	17.68	25.00	30.62	39.53	55.90	680	1,600
	423.008	○	-	-	CG	-	8.70	8.70	15.75	22.27	31.50	38.58	49.81	70.44	680	1,600
	423.128	○	-	-	-	CK	12.70	12.30	31.50	44.55	63.00	77.16	99.61	140.87	680	1,600

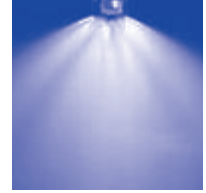
B = bore diameter · E = narrowest free cross section

Example of ordering:	Type	+	Material-no.	+	Code	=	Ordering no.
	422.724	+	5E	+	CE	=	422.724.5E.CE

Conversion formula for the above series: $\dot{V}_2 = \dot{V}_1 * \sqrt{\frac{p_2}{p_1}}$




Cluster head nozzles Series 502/503



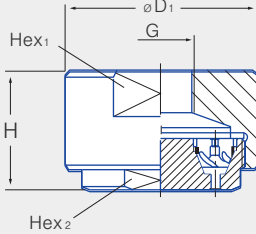
Fine full cone atomization with the aid of several hollow cones spraying into one another.

Applications:


Cooling of gaseous and solid material, desuperheating, chlorine precipitation, absorption as well as for improvement of chemical reaction by enlarging the contact area.



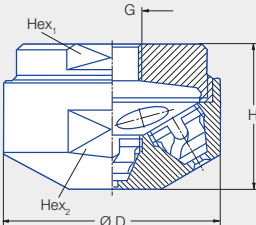
↗70°




Dimensions [mm]		
	1/2	3/4
Hex ₁	46	65
Hex ₂	38	55
H	25	46
D ₁	50	75
Weight (Brass)	250 g	870 g



↘130°



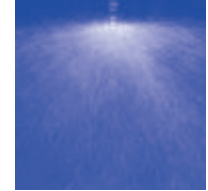
Dimensions [mm]		
	1/2	3/4
Hex ₁	27	50
Hex ₂	36	55
H	28	53
D ₁	40	60
Weight (Brass)	150 g	410 g

Spray angle	Ordering no.		G	B Ø [mm]	E Ø [mm]	V̇ [l/min]						Spray diameter D at p = 2 bar		
	Type	Mat. no.				p [bar]						 H = 1000 mm H = 2000 mm		
		17 ¹				30	0.5	1.0	2.0	3.0	5.0			10.0
70°	502.445	○	○	1/2	1.00	0.50	-	-	1.25	1.53	1.98	2.80	400	400
	502.545	○	○	1/2	1.80	0.50	-	1.58	2.24	2.74	3.54	5.01	400	400
	502.585	○	○	3/4	1.00	1.00	1.40	1.98	2.80	3.43	4.43	6.30	600	700
	502.665	○	○	3/4	1.40	1.40	2.20	3.18	4.50	5.51	7.11	10.10	800	900
	502.745	○	○	3/4	2.00	2.00	3.50	5.00	7.10	8.70	11.20	15.90	800	900
	502.795	○	○	3/4	2.50	2.00	4.60	6.70	9.50	11.60	15.00	21.20	900	1,100
	502.835	○	○	3/4	3.00	2.00	6.00	8.30	11.80	14.50	18.70	26.40	1,000	1,200
	502.875	○	○	3/4	3.50	2.00	7.20	10.60	15.00	18.40	23.70	33.50	1,100	1,300
	502.905	○	○	3/4	4.00	2.00	8.80	12.70	18.00	22.05	28.40	40.20	1,200	1,500
	502.985	○	○	3/4	3.50	2.00	14.00	19.80	28.00	34.29	44.30	62.60	1,200	1,500
	503.025	○	○	3/4	4.00	2.00	17.70	25.10	35.50	43.48	56.10	79.40	1,200	1,600
	503.065	○	○	3/4	5.00	2.00	22.10	31.80	45.00	55.11	71.10	100.60	1,200	1,800
503.115	○	○	3/4	6.00	2.00	30.00	42.00	60.00	72.80	95.00	134.00	1,300	2,000	
130°	502.448	○	○	1/2	1.00	0.50	-	-	1.25	1.53	1.98	2.80	500	500
	502.548	○	○	1/2	1.80	0.50	-	1.58	2.24	2.74	3.54	5.01	700	700
	502.588	○	○	3/4	1.00	1.00	1.40	1.98	2.80	3.43	4.43	6.30	800	900
	502.668	○	○	3/4	1.50	1.50	2.20	3.18	4.50	5.51	7.11	10.10	1,000	1,100
	502.748	○	○	3/4	2.00	2.00	3.50	5.00	7.10	8.70	11.20	15.90	1,000	1,200
	502.798	○	○	3/4	2.50	2.00	4.60	6.70	9.50	11.60	15.00	21.20	1,200	1,300
	502.838	○	○	3/4	3.00	2.00	6.00	8.30	11.80	14.50	18.70	26.40	1,400	1,600
	502.878	○	○	3/4	3.50	2.00	7.20	10.60	15.00	18.40	23.70	33.50	1,500	1,700
	502.908	○	○	3/4	4.00	2.00	8.80	12.70	18.00	22.05	28.40	40.20	1,500	1,800
	502.988	○	○	3/4	3.50	2.00	14.00	19.80	28.00	34.29	44.30	62.60	1,500	1,800
	503.028	○	○	3/4	4.00	2.00	17.70	25.10	35.50	43.48	56.10	79.40	1,600	1,800
	503.068	○	○	3/4	5.00	2.00	22.10	31.80	45.00	55.11	71.10	100.60	2,000	2,500
503.118	○	○	3/4	6.00	2.00	30.00	42.00	60.00	72.80	95.00	134.00	2,000	3,000	

¹ We reserve the right to deliver 316Ti SS or 316L SS under the material no. 17.
B = bore diameter · E = narrowest free cross section



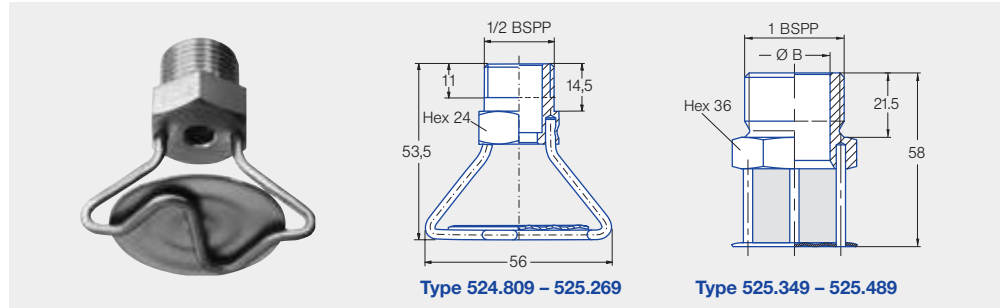
Deflector-plate nozzle Series 524/525





Full cone spray. Non clogging nozzle without swirl insert.

Applications:

Fire fighting and broadcast spraying, wide area spray.



Spray angle 	Ordering no.		B Ø [mm]	V̇ [l/min]						Spray diameter D at p=3 bar approx. 		
	Type	Mat. no.		p [bar]						H = 1 m	H = 3 m	
		17 ¹		30	0.5	1.0	2.0	3.0	5.0			10.0
180°	524.809	○	○	4.00	5.00	7.10	10.00	12.20	15.80	22.40	5.60 m	6.40 m
	524.939	○	○	5.90	10.60	15.00	21.20	25.90	33.50	47.40	6.00 m	7.00 m
	524.969	○	○	6.20	12.50	17.70	25.00	30.60	39.50	55.90	8.00 m	9.00 m
	525.049	○	○	8.00	20.00	28.30	40.00	49.00	63.20	89.40	10.00 m	13.20 m
	525.109	-	○	9.30	28.00	40.00	56.00	69.00	89.00	125.00	10.20 m	13.40 m
	525.169	-	○	10.90	40.00	57.00	80.00	98.00	126.00	179.00	10.60 m	13.60 m
	525.229	-	○	12.20	56.00	79.00	112.00	137.00	177.00	250.00	6.80 m	10.40 m
	525.269	○	○	12.30	70.00	99.00	140.00	171.00	221.00	313.00	5.20 m	10.20 m
	525.349	○	○	16.20	112.00	158.40	224.00	274.30	354.20	500.80	4.80 m	9.70 m
	525.469	○	○	23.80	222.70	315.00	445.50	545.60	704.40	996.20	4.50 m	9.50 m
525.489	○	○	25.30	250.00	353.60	500.00	612.40	790.60	1,118.00	4.00 m	9.00 m	

¹ We reserve the right to deliver 316Ti SS or 316L SS under the material no. 17.
B = bore diameter

Version with dust protection cap on request.

Example	Type	+	Material-no.	=	Ordering no.
of ordering:	524.809	+	30	=	524.809.30

Conversion formula for the above series: $\dot{V}_2 = \dot{V}_1 * \sqrt{\frac{p_2}{p_1}}$



Rotating cleaning nozzle »NanoSpinner 2« Series 5M1



- Compact design for confined spaces
- Hygienic design
- Suitable for high temperatures
- Made entirely of stainless steel 316L or Alloy 22

Cleaning efficiency class:
2

Materials:
Stainless steel 316L,
Alloy 22

Max. temperature:
250 °C

Recommended operating pressure:
2 bar

Installation:
Operation in every direction is possible

Filtration:
Line strainer with a mesh size of 0.1 mm/170 mesh

Bearing:
Double ball bearing made of stainless steel 316L, Alloy 22

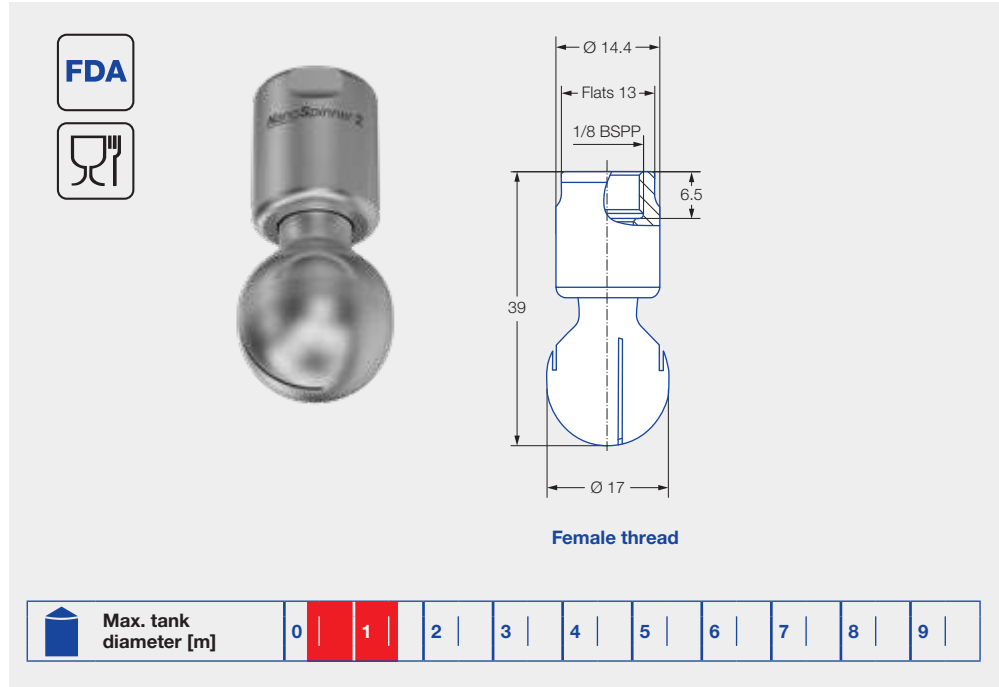


ATEX version on request



Function video

Scan the QR-code or go to:
<https://www.lechler.com/de-en/medialibrary>



Spray angle	Ordering no.				Narrowest free cross section Ø [mm]	V̇ water [l/min]				Max. tank diameter [m]
	Type	Material no.		p [bar] (p _{max} = 7 bar)						
		1Y	21	Stainless steel 316L		Alloy 22		at 40 psi [US gal/min]		
360°	5M1.879	●	●	AB	0.4	11	15	18	5	1.4
	5M1.929	●	●	AB	0.5	14	20	25	6	1.6

NPT thread, weld-on and slip-on versions on request.

The maximum tank diameter applies to the recommended operating pressure and is meant as a recommendation only. The cleaning result is also affected by the type of soiling.

Compressed air should be used for dry blowing for a short time only. Operation above the recommended operating pressure has a negative impact on the cleaning result and wear.

Example of ordering: Type + Material no. + Connection = Ordering no.
5M1.879. + 1Y + AB = 5M1.879.1Y.AB





Rotating cleaning nozzle »MicroSpinner 2« Series 5M2



- Hygienic design
- Suitable for high temperatures
- Made entirely of stainless steel 316L or Alloy 22

Cleaning efficiency class:
2

Materials:
Stainless steel 316L,
Alloy 22

Max. temperature:
250 °C

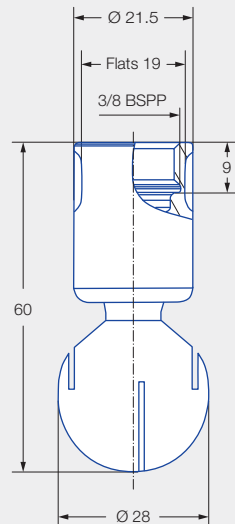
Recommended operating pressure:
2 bar

Installation:
Operation in every direction is possible

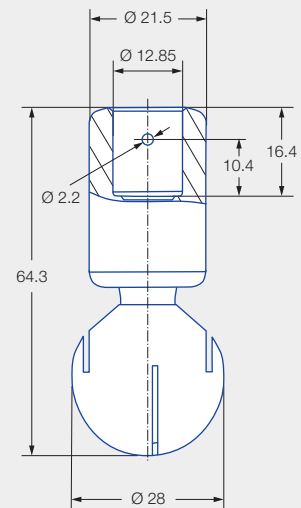
Filtration:
Line strainer with a mesh size of 0.1 mm/170 mesh

Bearing:
Double ball bearing made of stainless steel 316L, Alloy 22

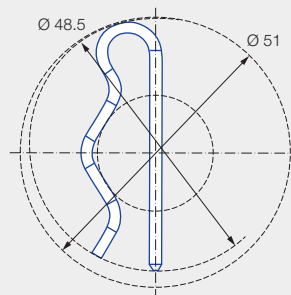
Adapter:
3/8 BSPP is compatible with HygienicFit



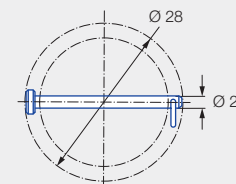
Female thread



Dimensions of the slip-on connection according to ASME-BE (OD-tube)



Dimensions of the slip-on connection top view stainless steel 316L



Dimensions of the slip-on connection top view Alloy 22



ATEX version on request



Function video

Scan the QR-code or go to:
<https://www.lechler.com/de-en/medialibrary>

	Max. tank diameter [m]	0	1	2	3	4	5	6	7	8	9
--	------------------------	---	---	---	---	---	---	---	---	---	---





Rotating cleaning nozzle »MicroSpinner 2« Series 5M2



Spray angle	Ordering no.					Narrowest free cross section \varnothing [mm]	\dot{V} water [l/min]				Max. tank diameter [m]
	Type	Material no.		Connection			p [bar] ($p_{max} = 7$ bar)				
		1Y	21				1.0	2.0	3.0	at 40 psi [US gal/min]	
 60°	5M2.952	●	●	AF	TF05	1.5	16	23	28	7	–
	5M2.042	●	●	AF	TF05	3.0	28	40	49	12	–
 180°	5M2.004	●	●	AF	TF05	0.9	22	32	39	10	1.8
 360°	5M2.969	●	●	AF	TF05	0.8	18	25	31	8	1.7
	5M2.049	●	●	AF	TF05	0.9	28	39	48	12	1.8

NPT thread, weld-on and further slip-on versions on request.

The max. tank diameter shown above applies for the recommended operating pressure and has to be seen as a recommendation. The cleaning result is also affected by the type of soiling.

Operating with compressed air only for short-term usage. Operation above the recommended operating pressure has negative effects on the cleaning result and wear.

Slip-on information:

- Pin made of stainless steel 316L included (Ordering-no. 05M.230.1Y.00.00.0). Version made of Alloy 22 bolt with head incl. pin included (Ordering-no. 05M.231.21.00.00.0).
- Depending on diameter of the adapter, the flow rate increase due to leakage between connecting pipe and rotating cleaning nozzle.
- Minimum insertion diameter (with mounted pin) is 48,5 mm for the types made of stainless steel 316L and 28 mm for the types made of Alloy 22.

Example **Type** + **Material no.** + **Connection** = **Ordering no.**
of ordering: 5M2.952. + 1Y + AF = 5M2.952.1Y.AF



Rotating cleaning nozzle »MiniSpinner 2« Series 5M3



- Hygienic design
- Suitable for high temperatures
- Made entirely of stainless steel 316L or Alloy 22

Cleaning efficiency class:
2

Materials:
Stainless steel 316L,
Alloy 22

Max. temperature:
250 °C

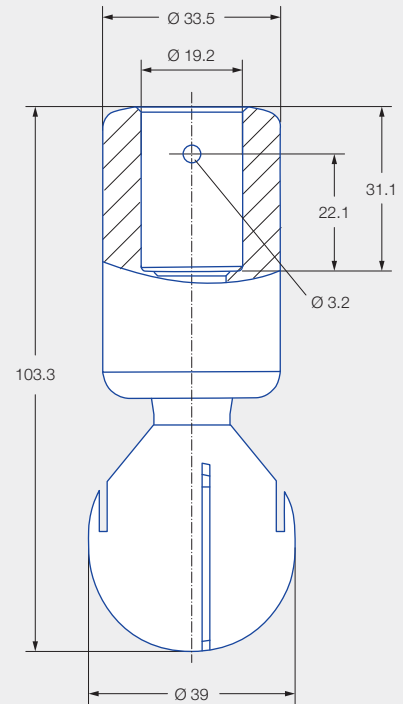
Recommended operating pressure:
2 bar

Installation:
Operation in every direction is possible

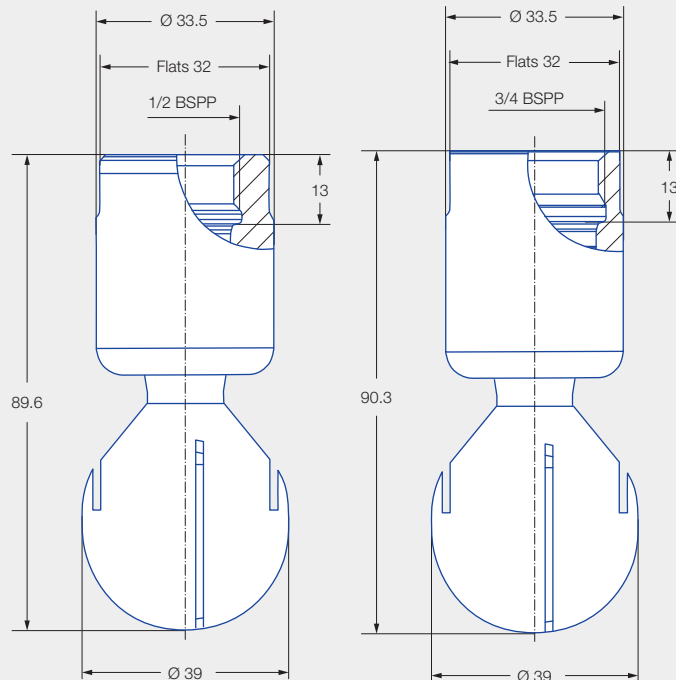
Filtration:
Line strainer with a mesh size of 0.1 mm/170 mesh

Bearing:
Double ball bearing made of stainless steel 316L, Alloy 22

Adapter:
1/2 BSPP and 3/4 BSPP are compatible with HygienicFit



Dimensions of the slip-on connection according to ASME-BE (OD-tube)



Female thread

Female thread



ATEX version on request



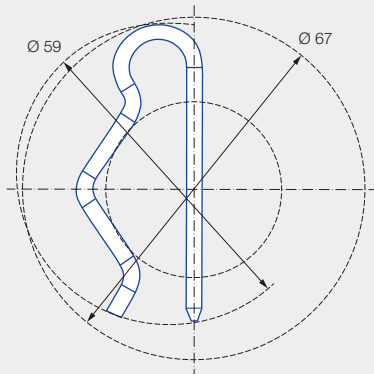
Function video

Scan the QR-code or go to:
<https://www.lechler.com/de-en/medialibrary>

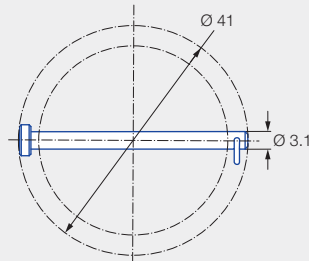
 Max. tank diameter [m]	0	1	2	3	4	5	6	7	8	9
--	---	---	---	---	---	---	---	---	---	---




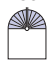


Rotating cleaning nozzle »MiniSpinner 2« Series 5M3



Dimensions of the slip-on connection
top view stainless steel 316L



Dimensions of the slip-on connection
top view Alloy 22

Spray angle	Ordering no.						Narrowest free cross section \varnothing [mm]	\dot{V} water [l/min]				Max. tank diameter [m]
	Type	Material no.		Connection				p [bar] ($p_{max} = 7$ bar)				
		1Y	21	1/2 BSPP	3/4 BSPP	3/4"-Slip-on		1.0	2.0	3.0	at 40 psi [US gal/min]	
		Stainless steel 316L	Alloy 22									
60° 	5M3.122	●	●	AH		TF07	2.6	45	63	77	20	–
180° 	5M3.133	●	●		AL	TF07	1.2	47	67	82	21	2.6
180° 	5M3.134	●	●		AL	TF07	1.3	47	67	82	21	2.6
360° 	5M3.999	●	●		AL	TF07	0.4	21	30	37	9	1.8
	5M3.089	●	●		AL	TF07	0.7	35	49	60	15	2.1
	5M3.139	●	●		AL	TF07	0.8	49	69	85	21	2.3
	5M3.209	●	●		AL	TF07	1.5	71	100	122	31	2.6

NPT thread, weld-on and further slip-on versions on request.

The max. tank diameter shown above applies for the recommended operating pressure and has to be seen as a recommendation. The cleaning result is also affected by the type of soiling.

Operating with compressed air only for short-term usage. Operation above the recommended operating pressure has negative effects on the cleaning result and wear.

Slip-on information:

- Pin made of stainless steel 316L included (Ordering-no. 05M.330.1Y.00.00.0). Version made of Alloy 22 bolt with head incl. pin included (Ordering-no. 05M.332.21.00.00.0).
- Depending on diameter of the adapter, the flow rate increase due to leakage between connecting pipe and rotating cleaning nozzle.
- Minimum insertion diameter (with mounted pin) is 59 mm for the types made of stainless steel 316L and 41 mm for the types made of Alloy 22.

Example Type + Material no. + Connection = Ordering no.
of ordering: 5M3.122. + 1Y + AH = 5M3.122.1Y.AH



Rotating cleaning nozzle »Maxi Spinner 2« Series 5M4



- Hygienic design
- Suitable for high temperatures
- Made entirely of stainless steel 316L or Alloy 22

Cleaning efficiency class:
2

Materials:
Stainless steel 316L,
Alloy 22

Max. temperature:
250 °C

Recommended operating pressure:
2 bar

Installation:
Operation in every direction is possible

Filtration:
Line strainer with a mesh size of 0.1 mm/170 mesh

Bearing:
Double ball bearing made of stainless steel 316L, Alloy 22

Adapter:
1 1/4 BSPP and 1 1/2 BSPP are compatible with HygienicFit

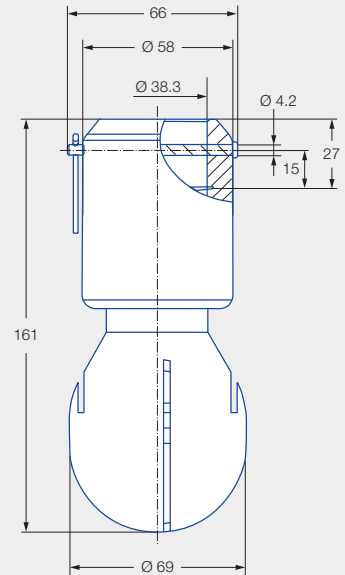


ATEX version on request

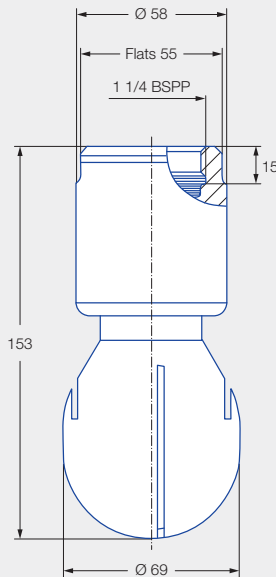


Function video

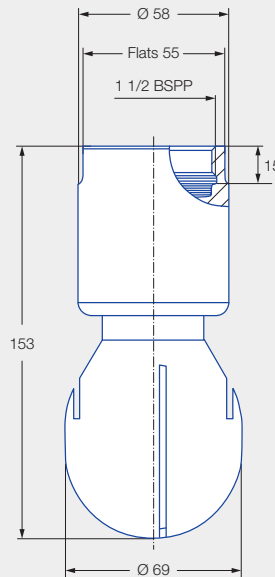
Scan the QR-code or go to:
<https://www.lechler.com/de-en/medialibrary>



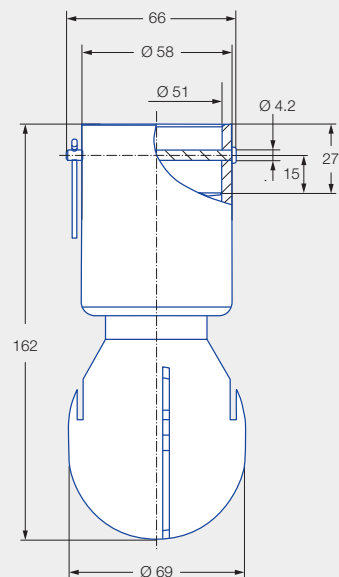
Dimensions of the 1 1/2" slip-on connection according to ASME-BE (OD-tube)



Female thread



Female thread



Dimensions of the 2" slip-on connection according to ASME-BE (OD-tube)

Max. tank diameter [m]	0	1	2	3	4	5	6	7	8	9



Rotating cleaning nozzle »Maxi Spinner 2« Series 5M4



Spray angle	Ordering no.							Narrowest free cross section Ø [mm]	V̇ water [l/min]				Max. tank diameter [m]
	Type	Material no.		Connection					p [bar] (p _{max} = 7 bar)*				
		1Y	21						1,0	2,0	3,0	at 40 psi [US gal/min]	
		Stainless steel 316L	Alloy 22	1 1/4 BSPP	1 1/2 BSPP	1 1/2" Slip-on	2" Slip-on						
180° 	5M4.253	●	●	AQ	AS	TF15	TF20	1.8	95	135	165	42	4.0
180° 	5M4.254	●	●	AQ	AS	TF15	TF20	2.1	95	135	165	42	4.0
270° 	5M4.365	●	●	AQ	AS	TF15	TF20	2.5	177	250	306	78	5.0
360° 	5M4.279	●	●	AQ	AS	TF15	TF20	1.7	107	150	184	46	4.0
	5M4.329	●	●	AQ	AS	TF15	TF20	2.0	141	200	245	62	4.5
	5M4.369	●	●	AQ	AS	TF15	TF20	2.3	177	250	306	78	5.0

NPT thread and weld-on versions on request.

* Please note the maximum operating pressure of 4 bar for the 2" slip-on connection.

The max. tank diameter shown above applies for the recommended operating pressure and has to be seen as a recommendation. The cleaning result is also affected by the type of soiling.

Operating with compressed air only for short-term usage. Operation above the recommended operating pressure has negative effects on the cleaning result and wear.

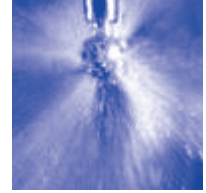
Slip-on information:

- Bolt with head incl. pin made of stainless steel 316L included (Ordering-no. 05M.431.1Y.00.00.0). Version made of Alloy 22 bolt with head incl. pin included (Ordering-no. 05M.431.21.00.00.0).
- Depending on diameter of the adapter, the flow rate increase due to leakage between connecting pipe and rotating cleaning nozzle.
- Minimum insertion diameter (with mounted pin) is 69 mm for the types made of stainless steel 316L and also for the types made of Alloy 22.

Example Type + Material no. + Connection = Ordering no.
of ordering: 5M4.253. + 1Y + AQ = 5M4.253.1Y.AQ



Rotating cleaning nozzle »Whirly 2« Series 5W9



- Popular and proven design
- Cleaning with effective flat jets
- Various connection options
- Available with a wide range of flow rates and spray angles

Cleaning efficiency class:
3

Materials:
Stainless steel 316L,
PEEK

Max. temperature:
140 °C

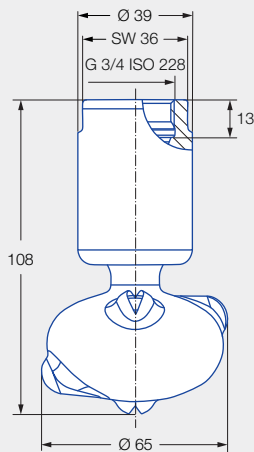
Recommended operating pressure:
2 bar

Installation:
Operation in every direction is possible

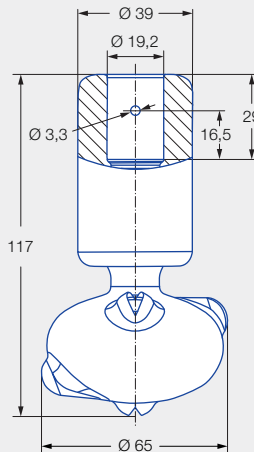
Filtration:
Line strainer with a mesh size of 0.1 mm/170 mesh

Bearing:
Double ball bearing made of stainless steel

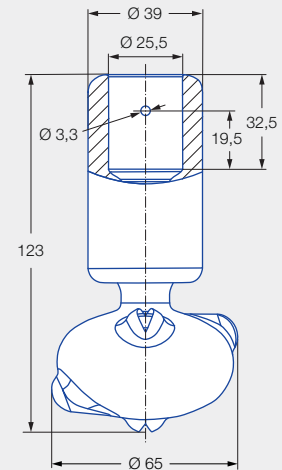
Adapter:
3/4 BSPF is compatible with HygienicFit



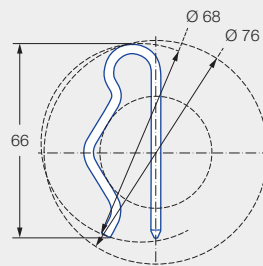
Female thread



Dimensions slip-on connection according to ASME-BPE (OD-tube)



Dimensions slip-on connection according to ASME-BPE (OD-tube)



Dimensions slip-on connection top view



ATEX version on request



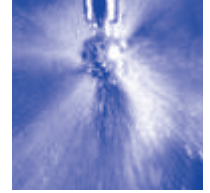
Function video



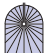
Scan the QR-code or go to:
<https://www.lechler.com/de-en/medialibrary>

Max. tank diameter [m]	0	1	2	3	4	5	6	7	8	9
------------------------	---	---	---	---	---	---	---	---	---	---



Rotating cleaning nozzle »Whirly 2« Series 5W9



Spray angle	Ordering no.				Narrowest free cross section \varnothing [mm]	V̇ water [l/min]				Max. tank diameter [m]
	Type	Code				p [bar] (p _{max} = 6 bar)				
		3/4 BSPP	3/4" Slip-on connection	1" Slip-on connection		1.0	2.0	3.0	at 40 psi [US gal/min]	
270° 	5W9.075.1Y	AL	TF07	TF10	2.0	34	48	59	15	1.8
	5W9.145.1Y	AL	TF07	TF10	2.8	50	71	87	22	2.1
	5W9.195.1Y	AL	TF07	TF10	3.3	69	97	119	30	2.6
270° 	5W9.076.1Y	AL	TF07	TF10	2.0	34	48	59	15	1.8
	5W9.106.1Y	AL	TF07	TF10	2.5	41	58	71	18	2.1
	5W9.196.1Y	AL	TF07	TF10	3.4	69	97	119	30	2.6
360° 	5W9.079.1Y	AL	TF07	TF10	1.6	34	48	59	15	1.8
	5W9.149.1Y	AL	TF07	TF10	2.4	50	71	87	22	2.1
	5W9.199.1Y	AL	TF07	TF10	3.0	69	97	119	30	2.6
	5W9.279.1Y	AL	TF07	TF10	3.5	103	145	178	45	3.0

NPT thread available on request.

**The maximum tank diameter applies to the recommended operating pressure and is meant as a recommendation only.
The cleaning result is also affected by the type of soiling.**

Compressed air should be used for dry blowing for a short time only. Operation above the recommended operating pressure has a negative impact on the cleaning result and wear.

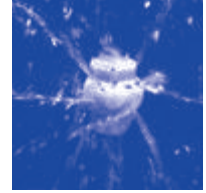
Slip-on information:

- Pin made of stainless steel 316L supplied (Ordering no.: 095.013.1Y.06.72.0).
- Depending on the diameter of the adapter, the flow rate can increase due to a leakage between the adapter and the rotating cleaning nozzle.
- Minimum insertion diameter (with mounted pin) is 68 mm.

Bestell-	Type	+	Anschluss	=	Bestell-Nr.
beispiel:	5W9.075.1Y	+	AL	=	5W9.075.1Y.AL



Rotating cleaning nozzle »PTFE Whirly« Series 573/583



- Self rotating
- Rotating solid jets
- Recommended for tanks made of glass and enamel
- 3A® version available

Materials:
PTFE

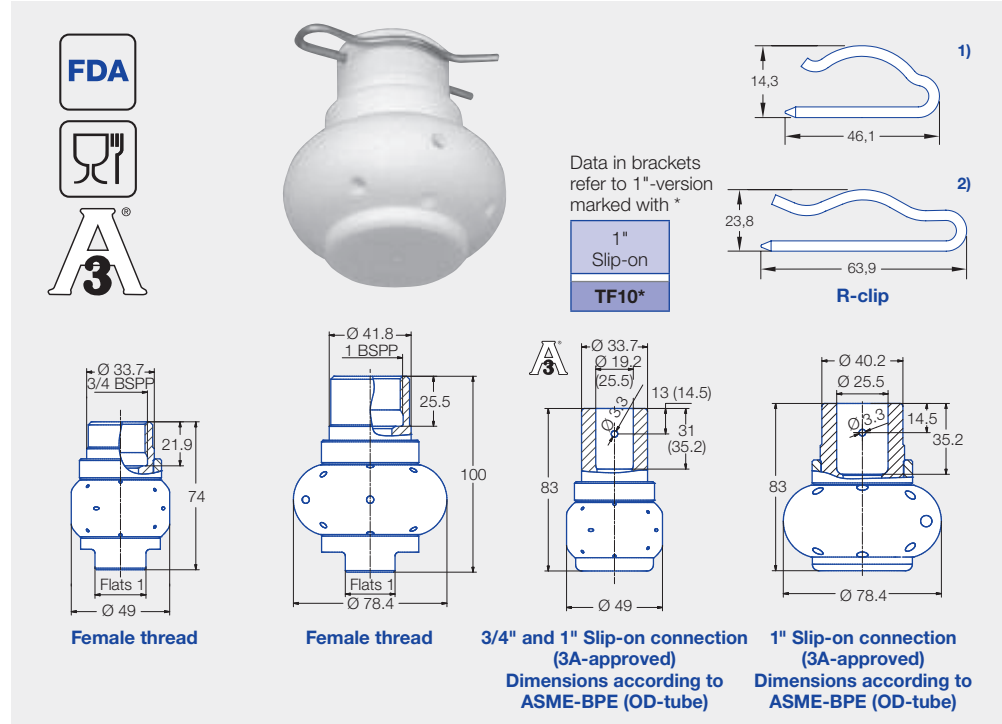
Max. temperature:
95 °C

Recommended operating pressure:
2 bar

Installation:
Operation in every direction is possible

Filtration:
Line strainer with a mesh size of 0.3 mm/50 mesh

Bearing:
Slide bearing made of PTFE



Function video

Scan the QR-code or go to:
<https://www.lechler.com/de-en/medialibrary>

Operation with compressed air only for short-term usage. Operation above the recommended operating pressure means higher wear and smaller droplets. This might have adverse effects on the cleaning result.

Slip-on information:

- R-clip made of stainless steel 316L SS is included (Ordering number: R-clip 1: 095.022.1Y.50.88.E, R-clip 2: 095.022.1Y.50.60.E).
- Depending on diameter of the adapter the flow rate can increase due to leakage between connecting pipe and rotating cleaning nozzle.

Spray angle	R-clip	Type	Ordering no.				E Ø [mm]	V [l/min]				Max. tank diameter [m]
			Connection					p [bar] (p _{max} = 6 bar)				
			3/4 BSPP	1 BSPP	3/4" Slip-on	1" Slip-on		1	2	3	at 40 psi [US gal./min]	
180°	1)	583.114.55	AL	-	TF07	TF10*	2.1	47	67	82	21	2.5
	1)	583.264.55	AL	-	TF07	TF10*	3.3	103	145	178	45	2.8
	2)	583.344.55	-	AN	-	TF10	7.1	159	225	276	70	3.2
180°	1)	573.114.55	AL	-	TF07	TF10*	2.1	47	67	82	21	2.5
	1)	573.264.55	AL	-	TF07	TF10*	3.3	103	145	178	45	2.8
	2)	573.344.55	-	AN	-	TF10	7.1	159	225	276	70	3.2
270°	1)	583.116.55	AL	-	TF07	TF10*	2.4	47	67	82	21	2.5
	1)	583.266.55	AL	-	TF07	TF10*	3.4	103	145	178	45	2.8
	2)	583.346.55	-	AN	-	TF10	5.9	159	225	276	70	3.2
270°	1)	573.116.55	AL	-	TF07	TF10*	2.4	47	67	82	21	2.5
	1)	573.266.55	AL	-	TF07	TF10*	3.4	103	145	178	45	2.8
	2)	573.346.55	-	AN	-	TF10	5.9	159	225	276	70	3.2
360°	1)	583.119.55	AL	-	TF07	TF10*	1.8	41	58	71	18	2.4
	1)	583.209.55	AL	-	TF07	TF10*	3.5	71	100	122	31	2.5
	1)	583.269.55	AL	-	TF07	TF10*	4.8	103	145	178	45	2.8
	2)	583.279.55	-	AN	-	TF10	3.7	106	150	184	47	3.0
	2)	583.349.55	-	AN	-	TF10	5.6	159	225	276	70	3.2

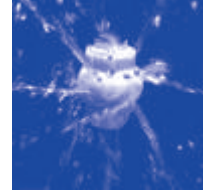
E = narrowest free cross-section · NPT on request
* see drawing 3 for details

The maximum tank diameter shown above applies for the recommended operating pressure and is indicative only. The cleaning result is also affected by the type of soiling.

Example	Type	+	Connection	=	Ordering no.
of ordering:	583.114.55.	+	AL	=	583.114.55.AL



Rotating cleaning nozzle »PTFE Whirly« Series 599



- PTFE whirling nozzle for high temperature applications
- Balanced rotating action
- Gap-free all-around cleaning
- Free spinning, self-lubricating and self-flushing
- All used materials are FDA conform

Applications:

For rinsing of small and medium-sized vessels and reactors in higher temperature processing environments.

Max. tank diameter:

Rinsing: 5.0 m
Cleaning: 3.0 m

Recommended operating pressure:

1.0–2.0 bar, max. 6.0 bar

Installation:

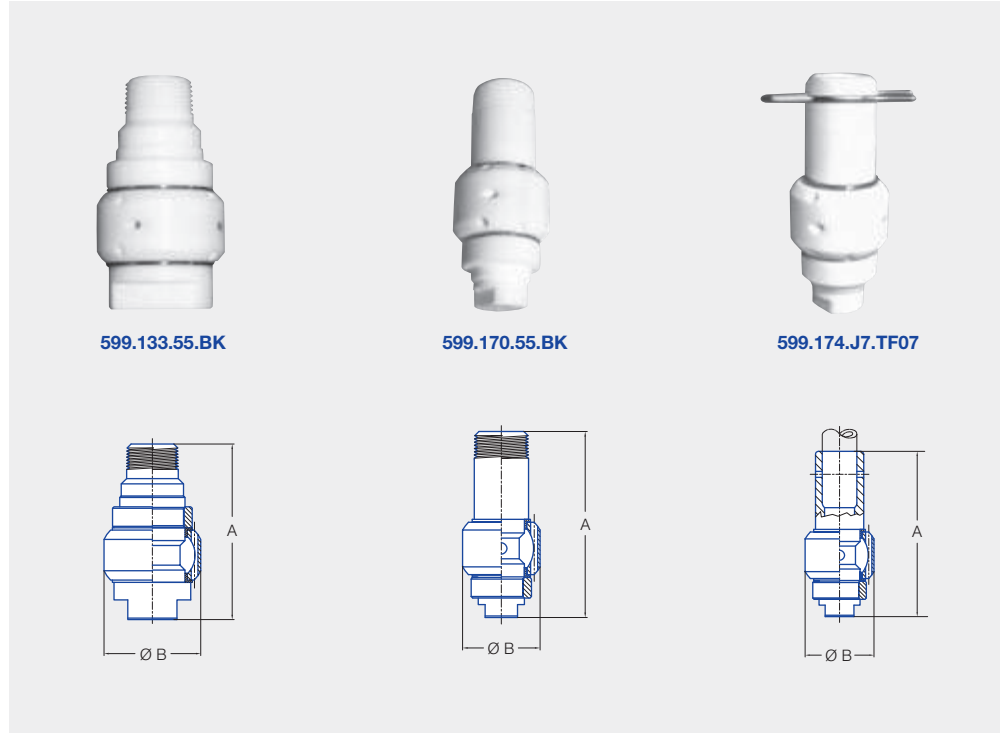
Operation in every direction is possible



Max. temperature:

130 °C

Materials:

- PTFE
- Rings: Alloy 22



Spray angle 	Ordering no.			V̇ [l/min]				A Length [mm]	B Ø [mm]	Weight [g]
	Type	Connection								
		3/4" mate NPT	3/4" slip-on	1	2	3	at 40 psi [US gal./min]			
360° 	599.133.55	BK	-	71	100	122	31	89	51	160
	599.170.55	BK	-	61	84	103	26	91	38	115
	599.174.J7	-	TF07	61	84	103	26	91	38	115

Please note:

Higher pressure generally means higher wear and smaller droplets. This might have adverse effects on the cleaning result. We do not recommend the operation with compressed air.

Example of ordering: Type 599.133.55. + Connection BK = Ordering no. 599.133.55.BK



Rotating cleaning nozzle »XactClean® HP« Series 5S2/5S3



- Controlled rotation
- Powerful flat jet nozzles
- Very efficient tank cleaning nozzle

Materials:

316L SS, 316 SS, 632 SS, PEEK, PTFE, Zirconium oxide, EPDM

Max. temperature:

95 °C

Recommended operating pressure:

5 bar

Installation:

Operation in every direction is possible

Filtration:

Line strainer with a mesh size of 0.3 mm/50 mesh

Bearing:

Double ball bearing

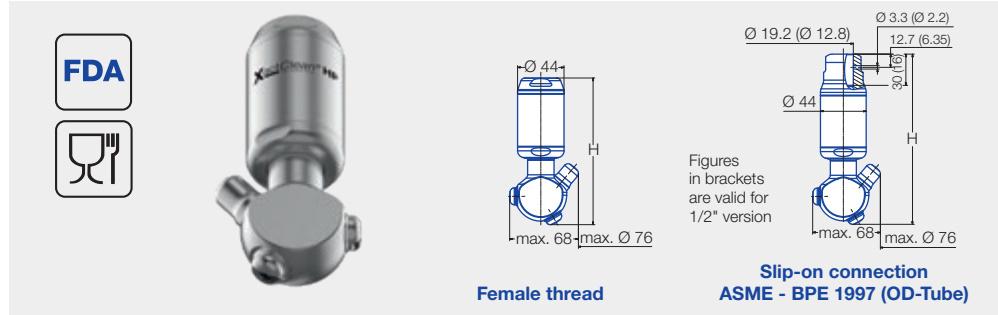
Rotation monitoring sensor:



Sensor compatible, please ask for more information.



ATEX version on request



Nozzle dimensions [mm]

Connection	Max. Height H [mm]
AF	146
AH	149
AL	139
AN	139
TF05	148
TF07	164

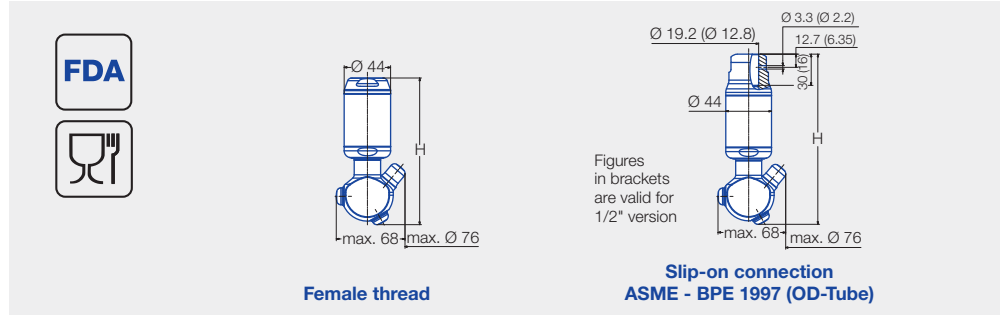
Spray angle	Ordering no.							E Ø [mm]	V [l/min]				Max. tank diameter [m]
	Type	Connection							p [bar] (p _{max} = 15 bar)				
		3/8 BSPP female	1/2 BSPP female	3/4 BSPP female	1 BSPP female	1/2" Slip-on	3/4" Slip-on		2	5	10	at 40 psi [US gal./min]	
180°	5S2.953.1Y	AF	AH	-	-	TF05	-	1.7	25	40	57	7.8	3.5
	5S3.053.1Y	-	AH	-	-	-	TF07	2.0	41	65	92	12.8	4.0
	5S3.113.1Y	-	AH	AL	-	-	TF07	2.0	60	94	133	18.4	6.0
	5S3.183.1Y	-	-	AL	-	-	TF07	2.0	89	141	199	27.7	7.0
	5S3.233.1Y	-	-	AL	-	-	TF07	2.0	111	175	248	34.3	7.5
	5S3.263.1Y	-	-	AL	AN	-	TF07	2.0	135	213	301	41.8	8.0
180°	5S2.954.1Y	AF	AH	-	-	TF05	-	1.7	25	40	57	7.8	3.5
	5S3.054.1Y	-	AH	-	-	-	TF07	2.0	41	65	92	12.8	4.0
	5S3.114.1Y	-	AH	AL	-	-	TF07	2.0	60	94	133	18.4	6.0
	5S3.184.1Y	-	-	AL	-	-	TF07	2.0	89	141	199	27.7	7.0
	5S3.234.1Y	-	-	AL	-	-	TF07	2.0	111	175	248	34.3	7.5
	5S3.264.1Y	-	-	AL	AN	-	TF07	2.0	135	213	301	41.8	8.0

E = narrowest free cross-section · NPT on request

The maximum tank diameter shown above applies for the recommended operating pressure and is indicative only. The cleaning result is also affected by the type of soiling.



Rotating cleaning nozzle »XactClean® HP« Series 5S2/5S3



Spray angle	Ordering no.							E Ø [mm]	V̇ [l/min]				Max. tank diameter [m]
	Type	Connection							p [bar] (p _{max} = 15 bar)				
		3/8 BSPP female	1/2 BSPP female	3/4 BSPP female	1 BSPP female	1/2" Slip-on	3/4" Slip-on		2	5	10	at 40 psi [US gal./min]	
270°	5S2.955.1Y	AF	AH	-	-	TF05	-	1.7	25	40	57	7.8	3.5
	5S3.055.1Y	-	AH	-	-	-	TF07	2.0	41	65	92	12.8	4.0
	5S3.115.1Y	-	AH	AL	-	-	TF07	2.0	60	94	133	18.4	6.0
	5S3.185.1Y	-	-	AL	-	-	TF07	2.0	89	141	199	27.7	7.0
	5S3.235.1Y	-	-	AL	-	-	TF07	2.0	111	175	248	34.3	7.5
	5S3.265.1Y	-	-	AL	AN	-	TF07	2.0	135	213	301	41.8	8.0
270°	5S2.956.1Y	AF	AH	-	-	TF05	-	1.7	25	40	57	7.8	3.5
	5S3.056.1Y	-	AH	-	-	-	TF07	2.0	41	65	92	12.8	4.0
	5S3.116.1Y	-	AH	AL	-	-	TF07	2.0	60	94	133	18.4	6.0
	5S3.186.1Y	-	-	AL	-	-	TF07	2.0	89	141	199	27.7	7.0
	5S3.236.1Y	-	-	AL	-	-	TF07	2.0	111	175	248	34.3	7.5
	5S3.266.1Y	-	-	AL	AN	-	TF07	2.0	135	213	301	41.8	8.0
360°	5S2.959.1Y	AF	AH	-	-	TF05	-	1.5	25	40	57	7.8	3.5
	5S3.059.1Y	-	AH	-	-	-	TF07	2.0	41	65	92	12.8	4.0
	5S3.119.1Y	-	AH	AL	-	-	TF07	2.0	60	94	133	18.4	6.0
	5S3.189.1Y	-	-	AL	-	-	TF07	2.0	89	141	199	27.7	7.0
	5S3.239.1Y	-	-	AL	-	-	TF07	2.0	111	175	248	34.3	7.5
	5S3.269.1Y	-	-	AL	AN	-	TF07	2.0	135	213	301	41.8	8.0

E = narrowest free cross-section · NPT on request

The maximum tank diameter shown above applies for the recommended operating pressure and is indicative only. The cleaning result is also affected by the type of soiling.

Operation with compressed air only for short-term usage. Operation above the recommended operating pressure means higher wear and smaller droplets. This might have adverse effects on the cleaning result.

Slip-on information:

- R-clip made of stainless steel
- 316L SS is included (Ordering number: 095.022.1Y.50.60.E (TF07), 095.013.1E.05.59.0 (TF05)).
- Depending on diameter of the adapter the flow rate can increase due to leakage between connecting pipe and rotating cleaning nozzle.

Precision Spray Nozzles



Rotating cleaning nozzle »XactClean® HP+« Series 5S5



- Controlled rotation
- Powerful flat fan nozzles
- Very efficient tank cleaning nozzle, especially for larger tanks

Materials:

316L SS,
316 SS, PEEK, EPDM

Max. temperature:

95 °C

Recommended operating pressure:

3 bar

Installation:

Operation in every direction is possible

Filtration:

Line strainer with a mesh size of 0.3 mm/50 mesh

Bearing:

Double ball bearing



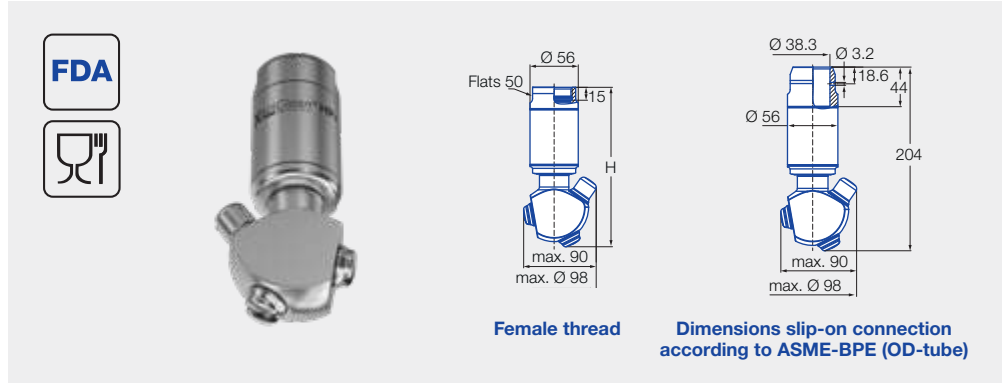
Rotation monitoring sensor

Sensor compatible, please ask for more information.



Function video

Scan the QR-code or go to:
<https://www.lechler.com/de-en/medialibrary>



Nozzle dimensions [mm]

Connection	Max. Height [H]
AN	185
AQ	185
AS	187

Spray angle	Type	Ordering no.				E Ø [mm]	V [l/min]				Max. tank diameter [m]
		Connection					p [bar] (p _{max} = 10 bar)				
		1 BSPP	1 1/4 BSPP	1 1/2 BSPP	1 1/2" Slip-on		2	3	5	at 40 psi [US gal./min]	
180°	5S5.293.1Y	AN	-	-	TF15	3.0	165	202	261	51.2	9.0
	5S5.323.1Y	AN	AQ	-	TF15	3.0	200	245	316	62.0	9.2
	5S5.363.1Y	-	AQ	AS	TF15	3.0	250	306	395	77.6	9.4
180°	5S5.294.1Y	AN	-	-	TF15	3.0	165	202	261	51.2	9.0
	5S5.324.1Y	AN	AQ	-	TF15	3.0	200	245	316	62.0	9.2
	5S5.364.1Y	-	AQ	AS	TF15	3.0	250	306	395	77.6	9.4
270°	5S5.295.1Y	AN	-	-	TF15	3.0	165	202	261	51.2	9.0
	5S5.325.1Y	AN	AQ	-	TF15	3.0	200	245	316	62.0	9.2
	5S5.365.1Y	-	AQ	AS	TF15	3.0	250	306	395	77.6	9.4
270°	5S5.296.1Y	AN	-	-	TF15	3.0	165	202	261	51.2	9.0
	5S5.326.1Y	AN	AQ	-	TF15	3.0	200	245	316	62.0	9.2
	5S5.366.1Y	-	AQ	AS	TF15	3.0	250	306	395	77.6	9.4
360°	5S5.299.1Y	AN	-	-	TF15	3.0	165	202	261	51.2	9.0
	5S5.329.1Y	AN	AQ	-	TF15	3.0	200	245	316	62.0	9.2
	5S5.369.1Y	-	AQ	AS	TF15	3.0	250	306	395	77.6	9.4
	5S5.399.1Y	-	AQ	AS	TF15	3.0	300	367	474	93.1	9.6

E = narrowest free cross-section · NPT on request

The maximum tank diameter shown above applies for the recommended operating pressure and is indicative only. The cleaning result is also affected by the type of soiling.

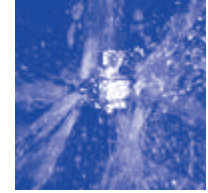
Operation with compressed air only for short-term usage. Operation above the recommended operating pressure means higher wear and smaller droplets. This might have adverse effects on the cleaning result.

Slip-on information:

- R-clip made of stainless steel
- 316L SS is included (Ordering number: 095.013.1Y.06.45.0).
- Depending on diameter of the adapter the flow rate can increase due to leakage between connecting pipe and rotating cleaning nozzle.



Rotating cleaning nozzle »Gyro« Series 577



- Self rotating
- Effective flat jet nozzles
- Large free cross sections, less prone to clogging

Max. tank diameter:
5.5 m

Materials:
316L SS, PTFE

Max. temperature:
90 °C

Recommended operating pressure:
3 bar

Installation:
Vertically facing downward

Filtration:
Line strainer with a mesh size of 0.3 mm/50 mesh

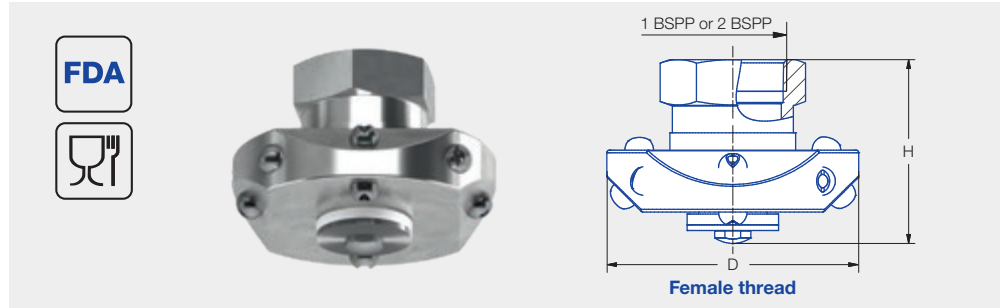
Bearing:
Slide bearing made of PTFE

Accessories:
Spare parts set consisting of: top seal, bottom seal, bolt, nut, sleeve, instructions for use



Function video

Scan the QR-code or go to:
<https://www.lechler.com/de-en/medialibrary>



Spray angle	Ordering no.			V [l/min]					Dimensions	
	Type	Connection		p [bar] (p _{max} = 5 bar)					Height H [mm]	Diameter D [mm]
		1 BSPP	2 BSPP	1	2	3	5	at 40 psi [US gal./min]		
180°	577.283.1Y	AN	-	115	163	200	258	50	72	118
	577.363.1Y	AN	-	182	258	316	408	80	72	118
	577.403.1Y	-	AW	228	322	394	509	100	103	156
	577.433.1Y	-	AW	273	386	473	610	120	103	156
	577.523.1Y	-	AW	452	639	783	1010	170	103	156
180°	577.284.1Y	AN	-	115	163	200	258	50	72	118
	577.364.1Y	AN	-	182	258	316	408	80	72	118
	577.404.1Y	-	AW	228	322	394	509	100	103	156
	577.434.1Y	-	AW	273	386	473	610	120	103	156
	577.494.1Y	-	AW	380	538	659	851	170	103	156
270°	577.285.1Y	AN	-	115	163	200	258	50	72	118
	577.365.1Y	AN	-	182	258	316	408	80	72	118
	577.405.1Y	-	AW	228	322	394	509	100	103	156
	577.435.1Y	-	AW	273	386	473	610	120	103	156
	577.495.1Y	-	AW	380	538	659	851	170	103	156
360°	577.289.1Y	AN	-	115	163	200	258	50	72	118
	577.369.1Y	AN	-	182	258	316	408	80	72	118
	577.409.1Y	-	AW	228	322	394	509	100	103	156
	577.439.1Y	-	AW	273	386	473	610	120	103	156
	577.499.1Y	-	AW	380	538	659	851	170	103	156

NPT on request

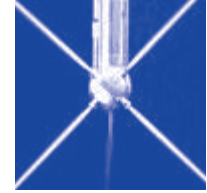
The maximum tank diameter shown above applies for the recommended operating pressure and is indicative only. The cleaning result is also affected by the type of soiling.

Operation with compressed air only for short-term usage. Operation above the recommended operating pressure means higher wear and smaller droplets. This might have adverse effects on the cleaning result.

Example **Type** + **Connection** = **Ordering no.**
for Ordering: 577.283.1Y. + AN = 577.283.1Y.AN



High impact tank cleaning machine »IntenseClean Hygienic« Series 5TA/5TB



- Gear-controlled
- Particularly powerful solid jets
- Operating pressures up to 15 and 25 bar possible

Materials:

316L SS, 632 SS,
PEEK, PTFE,
Zirconium oxide, EPDM

Max. temperature:
95 °C

Recommended operating pressure:
5 bar

Installation:

Operation in every direction possible

Filtration:

Line strainer with a mesh size of 0.2 mm/80 mesh

Bearing:

Ball bearing

Weight:

5TA: 0.9 kg
5TB: 4.0 kg

Rotation monitoring sensor:



Sensor compatible, please ask for more information.

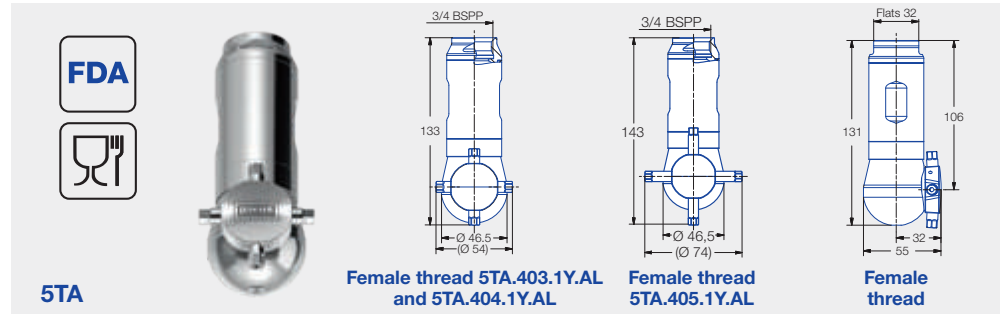


ATEX version on request



Function video

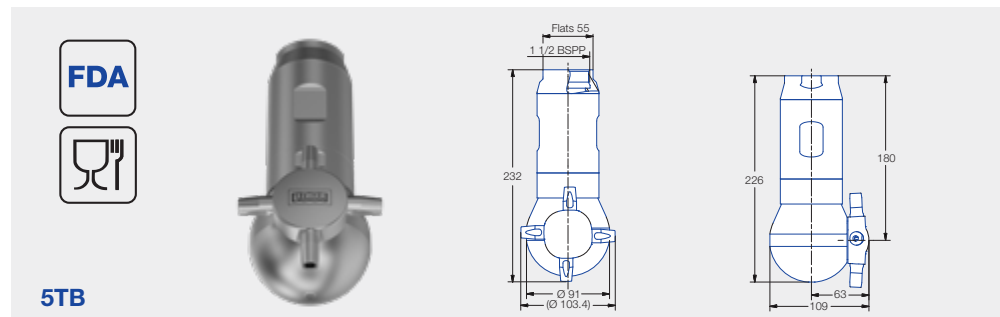
Scan the QR-code or go to:
<https://www.lechler.com/de-en/medialibrary>



Spray angle 	Ordering no. Type	E Ø [mm]	Number. Ø Nozzles [mm]	V [l/min]				Max. tank diameter [m]
				p [bar] (p _{max} = 15 bar) at 40 psi [US gal./ min]				
360° 	5TA.403.1Y.AL	1.5	4 x 3.0	24	39	55	7.7	12.0
	5TA.404.1Y.AL	1.5	4 x 4.0	35	56	79	11.0	12.5
	5TA.405.1Y.AL	1.5	4 x 5.0	50	79	111	15.5	13.0

E = Narrowest free cross-section · Slip-on connection on request

The maximum tank diameter shown above applies for the recommended operating pressure and is indicative only. The cleaning result is also affected by the type of soiling.



Spray angle 	Ordering no. Type	E Ø [mm]	Number, Ø Nozzles [mm]	V [l/min]				Max. tank diameter [m]
				p [bar] (p _{max} = 25 bar) at 40 psi [US gal./ min]				
360° 	5TB.406.1Y.AS	6.0	4 x 6.0	107	169	239	33.1	14.0
	5TB.407.1Y.AS	6.0	4 x 7.0	132	209	296	41.0	14.0
	5TB.408.1Y.AS	6.0	4 x 8.0	150	238	336	46.7	15.0

E = narrowest free cross-section

The maximum tank diameter shown above applies for the recommended operating pressure and is indicative only. The cleaning result is also affected by the type of soiling.



High impact tank cleaning machine

»IntenseClean«

Series 5TM



- Gear driven
- Very powerful solid jets
- Popular and proven design

Materials:
316L SS, 304 SS, PTFE,
PEEK

Max. temperature:
95 °C

Recommended operating pressure:
5 bar

Installation:
Operation in every direction possible

Filtration:
Line strainer with a mesh size of 0.2 mm/80 mesh

Bearing:
Ball bearing

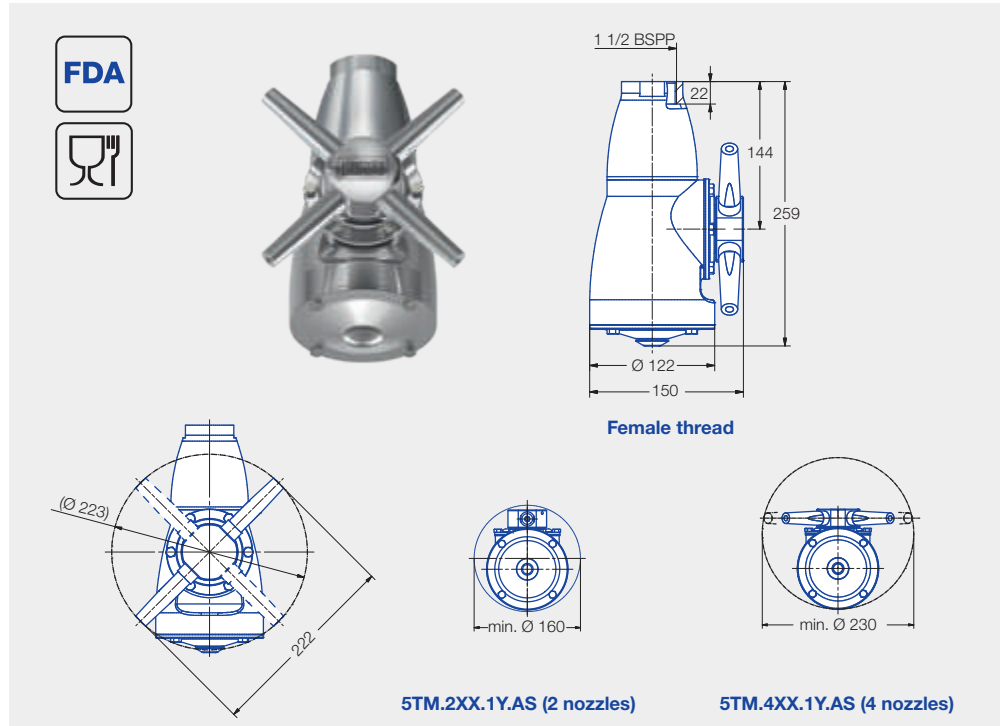
Weight:
7.5 kg

Rotation monitoring sensor:
Sensor compatible, please ask for more information.



Function video

Scan the QR-code or go to:
<https://www.lechler.com/de-en/medialibrary>



Spray angle	Ordering no.	E Ø [mm]	Number, Ø Nozzles [mm]	V̇ [l/min]				Max. tank diameter [m]
				p [bar] (p _{max} = 7 bar)				
				2	3	5	at 40 psi [US gal./ min]	
360°	5TM.208.1Y.AS	8	2 x 8.0	125	153	198	39	24.0
	5TM.210.1Y.AS	10	2 x 10.0	160	196	253	50	24.0
	5TM.406.1Y.AS	6	4 x 6.0	140	171	221	43	18.0
	5TM.407.1Y.AS	7	4 x 7.0	170	208	269	53	20.0
	5TM.408.1Y.AS	8	4 x 8.0	200	245	316	62	22.0
	5TM.410.1Y.AS	10	4 x 10.0	260	318	411	81	23.0

E = narrowest free cross-section

The maximum tank diameter shown above applies for the recommended operating pressure and is indicative only. The cleaning result is also affected by the type of soiling.

QUALITY WITH A SYSTEM

Lechler products are used in a wide variety of sectors and applications. Which is why the products' requirements are often very specific to certain applications. We define the term „quality“ as the extent to which our products fulfill our customer's individual requirements.

In order to do this we have been certified to internationally renowned certificates.

Certifications and Quality

- ISO 9001-2008 Certification
- DIN EN 10204 Inspection Certificate
- Classification according to Pressure Equipment Directive 2014/68/EU
- Declaration of Incorporation of partly completed machinery according to 2006/42/EC
- Declaration of Conformity of machinery according to 2006/42/EC
- ASME qualified welding procedure specifications
- Welding procedure specification DIN EN ISO 15609

Code Compliance

- ASME B31.1 Power Piping Code
- Metallic industrial piping: DIN EN 13480
- Unfired pressure vessels: DIN EN 13445
- ASME B31.3 Process Piping Code
- Welder Performance Qualification Records per ASME BPVC Section IX
- Qualification test of welders: DIN EN 287

Testing

- ANSI and ASTM testing
- Non-destructive testing – Penetrant testing: DIN EN ISO 3452
- Hardness
- Hydrostatic pressure test: Pressure Equipment Directive 2014/68/EU, DIN EN 13480-5 and DIN EN 13445-5
- Spray and flow testing
- Phase Doppler Anemometry (PDA) measurement system
- Magnetic particle inspection : DIN EN ISO 17638
- Positive Material Identification



Talk to us

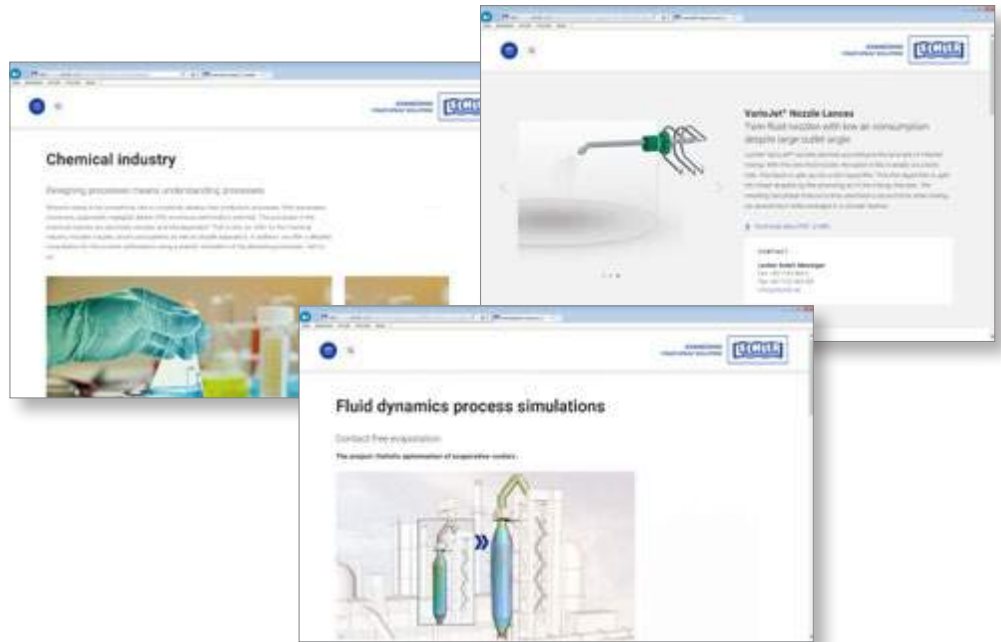
Your requirements are the first step towards a solution. We are more than happy to help you solve your individual tasks. Tell us your objectives and we will take care of the solution. If the solution is not yet available, we will tailormake one for you. That is our promise.

FULL INFORMATION IS JUST A CLICK AWAY: THE LECHLER WEBSITE



On the internet you can also find additional information about our entire range of products, work aids, our global presence and much more besides – we are looking forward to your visit.

www.lechler.com



3D DESIGN DATA FOR YOUR WORK

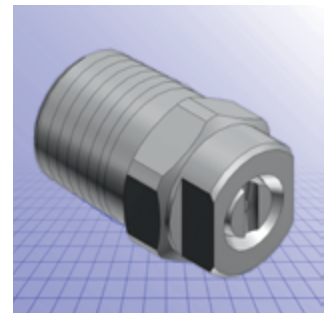


3D design data for Lechler nozzles and accessories is now available to you free of charge for your design work.

<http://lechler.partcommunity.com>

Your advantages:

- Time-saving, direct download of design drawings and technical data
- Simple, fast product selection
- Preview function with product photo and 3D graphics
- Available in all common 3D file formats
- Free use after one-time registration



LECHLER INDUSTRY APP



Android (Google)



iOS (Apple)



All important calculation and conversion programs for nozzle technology combined in one App.

- Unit converter for pressure, volume and flow rate
- Pressure/flow rate calculator for single-fluid nozzles incl. axial-flow full cone nozzles
- Calculation of pipe diameters

**ENGINEERING
YOUR SPRAY SOLUTION**



Lechler GmbH · Precision Nozzles · Nozzle Systems

Ulmer Strasse 128 · 72555 Metzingen, Germany · Phone +49 7123 962-0 · info@lechler.de · www.lechler.com

ASEAN: Lechler Spray Technology Sdn. Bhd. · 22, Jln. Astaka 4B/KU2 · Bdr. Bukit Raja · 41050 Klang · Malaysia · Phone +603 3359 1118 · info@lechler.com.my

Belgium: Lechler S.A./N.V. · Avenue Newton 4 · 1300 Wavre · Phone +32 10 225022 · info@lechler.be

China: Lechler Nozzle Systems (Changzhou) Co., Ltd. · No.99 Decheng Rd, Jintan, Changzhou, JS 213200, P.R.C · Phone +86 519-6822 8088 · info@lechler.com.cn

Finland: Lechler Oy · Ansatie 6 a C 3 krs · 01740 Vantaa · Phone +358 207 856880 · info@lechler.fi

France: Lechler France SAS · Parc de la Haute Maison · 6, Allée Képler, Bâtiment C2 · 77420 Champs-sur-Marne · Phone +33 1 49882600 · info@lechler.fr

Great Britain: Lechler Ltd. · 1 Fell Street, Newhall · Sheffield, S9 2TP · Phone +44 114 2492020 · info@lechler.com

India: Lechler (India) Pvt. Ltd. · Plot B-2 · Main Road · Wagle Industrial Estate Thane · 400604 Maharashtra · Phone +91 22 40634444 · lechler@lechlerindia.com

Italy: Lechler Spray Technology S.r.l. · Via Don Dossetti, 2 · 20080 Carpiano (Mi) · Phone +39 2 98859027 · info@lechleritalia.com

Russia: Lechler Rus · OOO, 108811, Moscow, Settlement Moskovskiy, Kiewskoe Chaussee km 22 · Object 4, Bld. 2, Block G, Floor 6, Office 601/G · info@lechler-rus.ru

Spain: Lechler, S.A. · C / Isla de Hierro, 7 – Oficina 1.3 · 28703 San Sebastián de los Reyes (Madrid) · Phone +34 91 6586346 · info@lechler.es

Sweden: Lechler AB · Hävertgatan 29 · 252 423 Helsingborg · Phone +46 18 167030 · info@lechler.se

USA: Lechler Inc. · 445 Kautz Road · St. Charles, IL 60174 · Phone +1 630 3776611 · info@lechlerusa.com

