

Rotating cleaning nozzle MiniWhirly Series 500.186

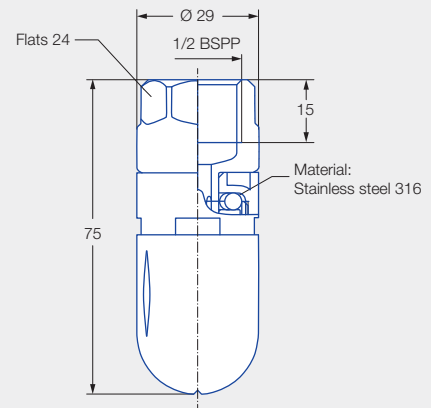


Features:

- Economical entry-level model
- Cleaning with effective flat jets
- Specifically designed for barrel and canister cleaning



Series 500,186



Female thread

 Max. tank diameter [m]	0	1	2	3	4	5	6	7	8	9
--	---	---	---	---	---	---	---	---	---	---



Cleaning efficiency class
2



Max. temperature
50 °C



Installation
Vertically facing downwards



Bearing
Ball bearing made of stainless steel 316



Material
POM, stainless steel 316



Recommended operating pressure
2 bar




Filtration
Line strainer with a mesh size of 0.3 mm/50 mesh

Function video

www.lechler.com/de-en/medialibrary/videos-general-industry
Or scan the QR code.



Spray angle	Ordering no.	Narrowest free cross section Ø [mm]	V̇ water [l/min]				Max. tank diameter [m]
			p [bar] (p _{max} = 5 bar)				
			1.0	2.0	3.0	at 40 psi [US gal/min]	
300° 	500.186.56.AH	1.9	13	18	22	6	1.3

The maximum tank diameter applies to the recommended operating pressure and is meant as a recommendation only. The cleaning result is also affected by the type of soiling.

Compressed air should be used for dry blowing for a short time only. Operation above the recommended operating pressure has a negative impact on the cleaning result and wear.

