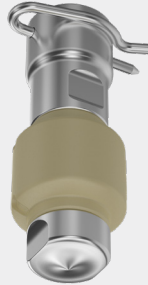


Rotating cleaning nozzle HygienicWhirly Series 594/595

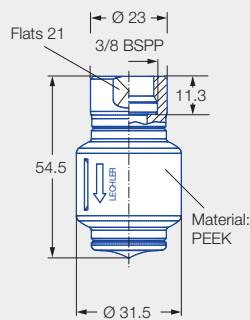


Features:

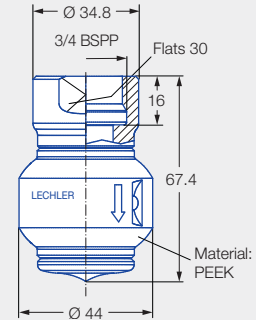
- Cleaning with highly effective flat jets
- Effective cleaning even at low pressure
- Suitable for foam delivery



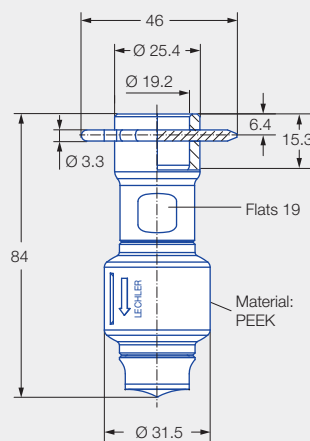
Series 594/595



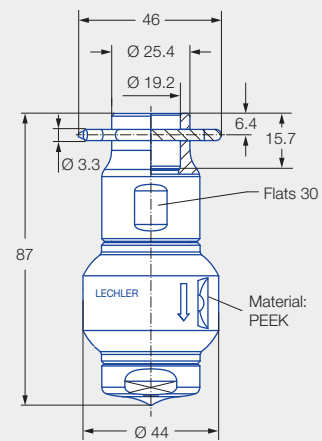
Standard version/Female thread
59x.xx9.1Y.AF



Standard version/Female thread
595.139.1Y.AL




Dimension of the slip-on
connection according to
ASME-BPE (OD tube)
59x.xx9.1Y.67




Dimension of the slip-on
connection according to
ASME-BPE (OD tube)
595.139.1Y.67


 Max. tank diameter [m]	0	1	2	3	4	5	6	7	8	9
--	---	---	---	---	---	---	---	---	---	---


 **Cleaning efficiency class**
3


 **Max. temperature**
150 °C

 **Installation**
Operation in every direction is possible

 **Bearing**
Slide bearing made of PEEK

 **Material**
Stainless steel 316L, PEEK, version with slip-on connection O-ring made of EPDM

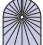
 **Recommended operating pressure**
3 bar

 **Filtration**
Line strainer with a mesh size of 0.3 mm/50 mesh

www.lechler.com/de-en/medialibrary/videos-general-industry
Or scan the QR code.

Function video



Spray angle	Ordering no.				Narrowest free cross section Ø [mm]	V̇ water [l/min]						Max. tank diameter [m]
	Type	Code				p [bar] (p _{max} = 5 bar)						
		3/8 BSPP	3/4 BSPP	3/4" slip-on connection		0.5	1.0	2.0	3.0	5.0	at 40 psi [US gal/min]	
360° 	594.829.1Y	AF		67	1.7	6	8	11	14	18	3	0.8
	594.879.1Y	AF		67	2.5	8	11	15	18	23	5	1.2
	595.009.1Y	AF		67	4.0	16	22	32	39	50	10	1.5
	595.049.1Y	AF		67	4.2	20	28	40	49	63	12	2.0
	595.139.1Y		AL		67	5.0	34	47	67	82	106	21

NPT thread available on request.

The maximum tank diameter applies to the recommended operating pressure and is meant as a recommendation only. The cleaning result is also affected by the type of soiling.

Compressed air should be used for dry blowing for a short time only. Operation above the recommended operating pressure has a negative impact on the cleaning result and wear.

Information about slip-on connections

- Pin made of stainless steel 316L supplied (Ordering no.: 095.022.1Y.50.94.E).
- Depending on the diameter of the adapter, the flow rate can increase due to a leakage between the adapter and the rotating cleaning nozzle.

Ordering Type + Code = Ordering no.
example: 594.829.1Y + AF = 594.829.1Y.AF