

Rotating cleaning nozzle MaxiSpinner 2 Series 5M4



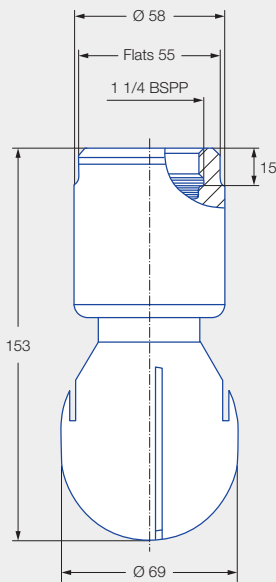
Features:

- Hygienic design
- Suitable for high temperatures
- Made entirely of stainless steel

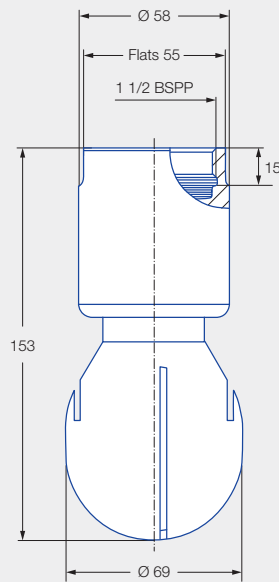


**ATEX version
on request**

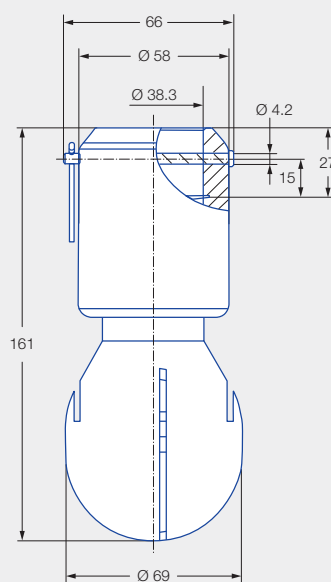
Series 5M4



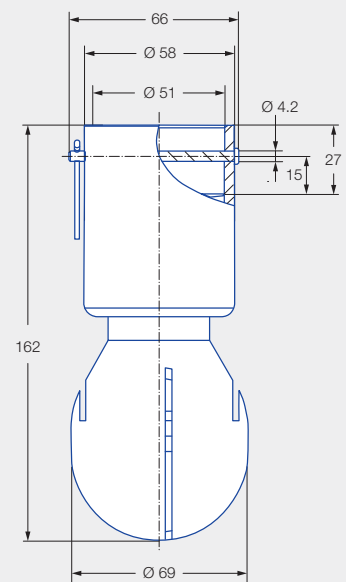
Female thread



Female thread



Dimensions of the
1 1/2" slip-on connection according
to ASME-BE (OD-tube)



Dimensions of the
2" slip-on connection according
to ASME-BE (OD-tube)

Max. tank diameter [m]	0	1	2	3	4	5	6	7	8	9
------------------------	---	---	---	---	---	---	---	---	---	---



Cleaning efficiency class
2



Max. temperature
200 °C



Installation
Operating in every direction possible



Bearing
Double ball bearing made of stainless steel 316L



Material
Stainless steel 316L



Recommended operating pressure
2 bar



Filtration
Line strainer with a mesh size of 0.1mm/170 mesh




Adapter
1 1/4 BSPP and 1 1/2 BSPP are compatible with HygienicFit

Function video

www.lechler.com/de-en/medialibrary/videos-general-industry
Or scan the QR code.



Spray angle	Ordering no.					Narrowest free cross section Ø [mm]	V̇ water [l/min]				Max. tank diameter [m]
	Type	Connection					p [bar] (p _{max} = 7 bar)*				
		1 1/4 BSP	1 1/2 BSP	1 1/2" Slip-on	2" Slip-on		1,0	2,0	3,0	at 40 psi [US gal/min]	
360° 	5M4.279.1Y	AQ	AS	TF15	TF20	1.7	107	150	184	46	4.0
	5M4.329.1Y	AQ	AS	TF15	TF20	2.0	141	200	245	62	4.5
	5M4.369.1Y	AQ	AS	TF15	TF20	2.3	177	250	306	78	5.0

NPT thread, weld-on version and material 2.4602 (Alloy 22) available on request.

* Please note the maximum operating pressure of 4 bar for the 2" slip-on connection.

The max. tank diameter shown above applies for the recommended operating pressure and has to be seen as a recommendation. The cleaning result is also affected by the type of soiling

Operating with compressed air only for short-term usage. Operation above the recommended operating pressure has negative effects on the cleaning result and wear.

Information slip-on connection

- Bolt with head incl. pin made of stainless steel 316L included (Ordering no. 05M.431.1Y.00.00).
- Depending on diameter of the adapter, the flow rate increase due to leakage between connecting pipe and rotating cleaning nozzle.
- Minimum insertion diameter (with mounted bolt) is the same as for the threaded variants 69 mm.

Example Type + Connection = Ordering no.
of ordering: 5M4.369. 1Y + AQ = 5M4.369.1Y.AQ