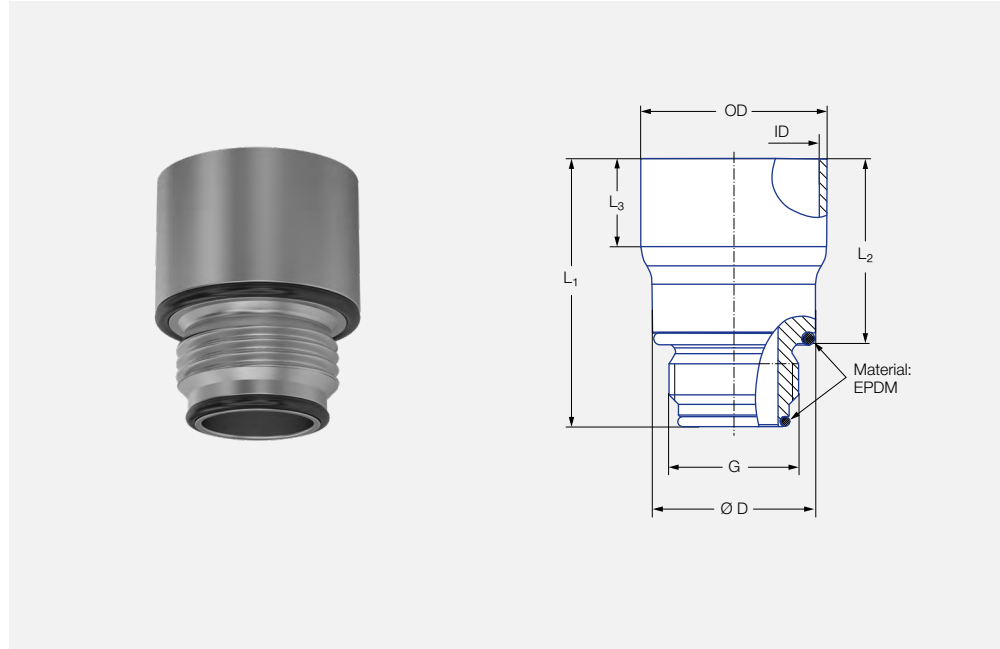




Adapter »HygienicFit« Series 05C

Series 05C

The HygienicFit ensures a hygienic connection between your tank cleaning nozzle and the supply line. The adaptor is welded onto the connection pipe, while the Lechler tank cleaning nozzle is screwed onto it. The O-rings on the adapter completely encapsulate the thread, thereby providing a perfectly hygienic connection to the system. Through the use of the O-rings, the HygienicFit also offers a reliable thread lock.



Materials
316L SS;
EPDM (O-Ring)



Max. temperature
150 °C



Installation
Operation in every
direction is possible

| Ordering no. | Connection thread BSPP male | Dimensions [mm] | | | | Dimensions OD = Outer diameter ID = Inner diameter [mm] | | Pipe standard |
|-------------------------|-----------------------------------|--------------------|----------------|----------------|------|--|------|-----------------------|
| | | L ₁ | L ₂ | L ₃ | Ø D | OD | ID | |
| 05C.190.1Y.AE.16 | 3/8 | 48 | 35,7 | 18 | 21,5 | 19,05 | 15,8 | DIN EN 10357 series D |
| 05C.230.1Y.AE.15 | 3/8 | 48 | 35,7 | 18 | 21,5 | 23 | 20 | DIN EN 10357 series A |
| 05C.250.1Y.AE.12 | 3/8 | 48 | 35,7 | 17 | 21,5 | 25 | 22,6 | DIN EN 10357 series D |
| 05C.250.1Y.AG.12 | 1/2 | 56 | 39 | 18 | 31 | 25 | 22,6 | DIN EN 10357 series D |
| 05C.350.1Y.AK.15 | 3/4 | 55 | 37,8 | 21 | 33,5 | 35 | 32 | DIN EN 10357 series A |
| 05C.380.1Y.AK.12 | 3/4 | 55 | 37,8 | 18 | 33,5 | 38 | 35,6 | ISO 2037 |
| 05C.381.1Y.AK.15 | 3/4 | 55 | 37,8 | 18 | 33,5 | 38,1 | 35,1 | DIN EN 10357 series D |
| 05C.381.1Y.AM.16 | 1 | 59 | 39 | 23 | 40,5 | 38,1 | 34,9 | DIN EN 10357 series D |
| 05C.508.1Y.AP.15 | 1 1/4 | 57 | 38 | 22 | 49,4 | 50,8 | 47,8 | DIN EN 10357 series D |
| 05C.635.1Y.AR.16 | 1 1/2 | 63 | 44 | 22 | 56 | 63,5 | 60,3 | DIN EN 10357 series D |

Spare parts set of O-rings, EPDM

| Thread type BSPP | Ordering no. |
|------------------|-------------------------|
| 3/8 | 05C.000.E9.AE.00 |
| 1/2 | 05C.000.E9.AG.00 |
| 3/4 | 05C.000.E9.AK.00 |
| 1 | 05C.000.E9.AM.00 |
| 1 1/4 | 05C.000.E9.AP.00 |
| 1 1/2 | 05C.000.E9.AR.00 |

O-ring set is also available on request in FKM.

